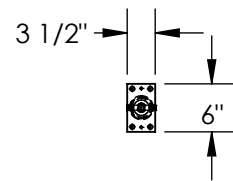
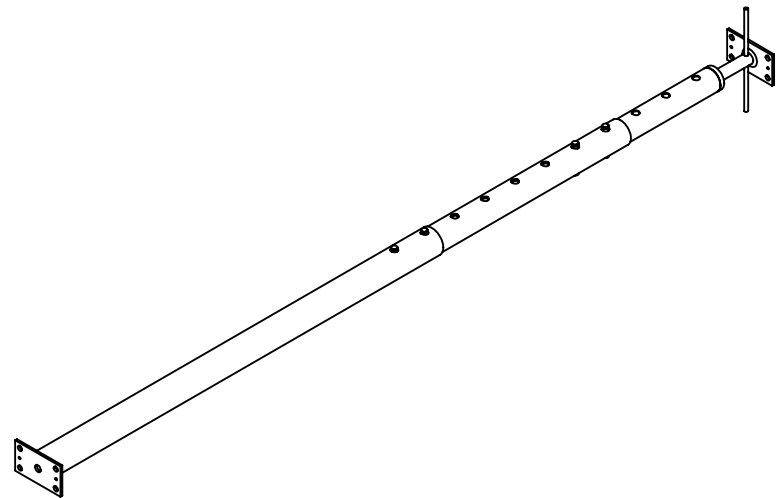
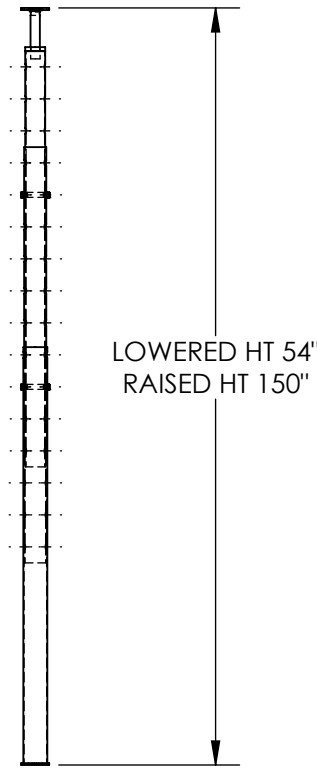
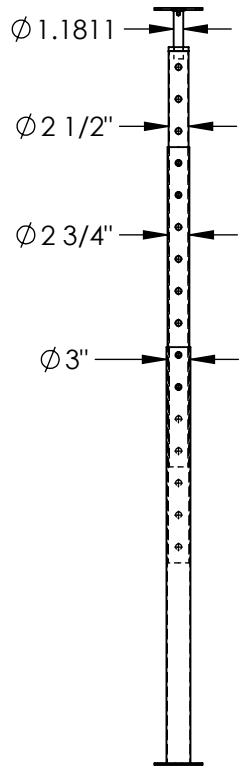


BASEMENT FLOOR JACK - FJB-150

APPROX WEIGHT: 39 lbs.
 DOES NOT INCLUDE WEIGHT OF POWER OR PACKAGING!!!

*** ANY ADDITIONS, DELETIONS, OR OMISSIONS MUST BE CORRECTED ON THIS DRAWING AS THIS DRAWING WILL BE CONSIDERED ALL INCLUSIVE ***

ALL GRAPHICS PROVIDED ARE FOR REFERENCE ONLY. IF CERTAIN DIMENSIONS ARE CRITICAL PLEASE VERIFY THOSE DIMENSIONS WITH YOUR SALESPERSON



IT IS THE CUSTOMERS RESPONSIBILITY TO MAKE SURE THAT THIS UNIT COMPLIES WITH ALL SAFETY LAWS CODES AND REGULATIONS

DIMENSION TOLERANCE ± 1/2"

STANDARD FEATURES

- MODEL NUMBER IS FJB-150
- LOWERED HEIGHT: 54"
- LOWERED HEIGHT CAPACITY: 11200 LBS
- RAISED HEIGHT: 150"
- RAISED HEIGHT CAPACITY: 2588 LBS
- RED OXIDE FINISH
- ALL WELDED STEEL CONSTRUCTION
- TELESCOPIC DESIGN W/ REMOVEABLE PINS
- END PAD INCLUDES SCREW & TURNING BAR FOR HEIGHT ADJUSTMENT

SPECIAL FEATURES

NONE

APPROVAL	I, THE UNDERSIGNED, AGREE THAT THE PRODUCT AS REPRESENTED SATISFIES DESIGN AND DIMENSION REQUIREMENTS. I ALSO ACKNOWLEDGE MY DUTY TO CONFIRM PRODUCT AND INSTALLATION COMPLIANCE WITH ALL APPLICABLE FEDERAL, STATE AND LOCAL REGULATIONS AND STANDARDS.	
	ANY MODIFIED UNITS ARE NON-RETURNABLE	
	[] As drawn [] As marked	
	Signed: _____	Date: _____
Printed Name: _____		
LEAD TIME WILL START UPON RECEIPT OF SIGNED APPROVAL DRAWING		

FOR INTERNAL USE ONLY PROJECT SIGN OFF	
SALES	
ENG.	
FAB.	
POWER	

DISTRIBUTOR'S NAME:		P.O.#
VESTIL MANUFACTURING		X
W.O.#		X
DRAWN BY:	C.CLEMENS	DATE: 7/15/19
REFERENCE:	X	SALES: X
QUOTED LEAD TIME:	X	SCALE: 1:24
QUOTE #	X	FILE NAME:
		13-007-013