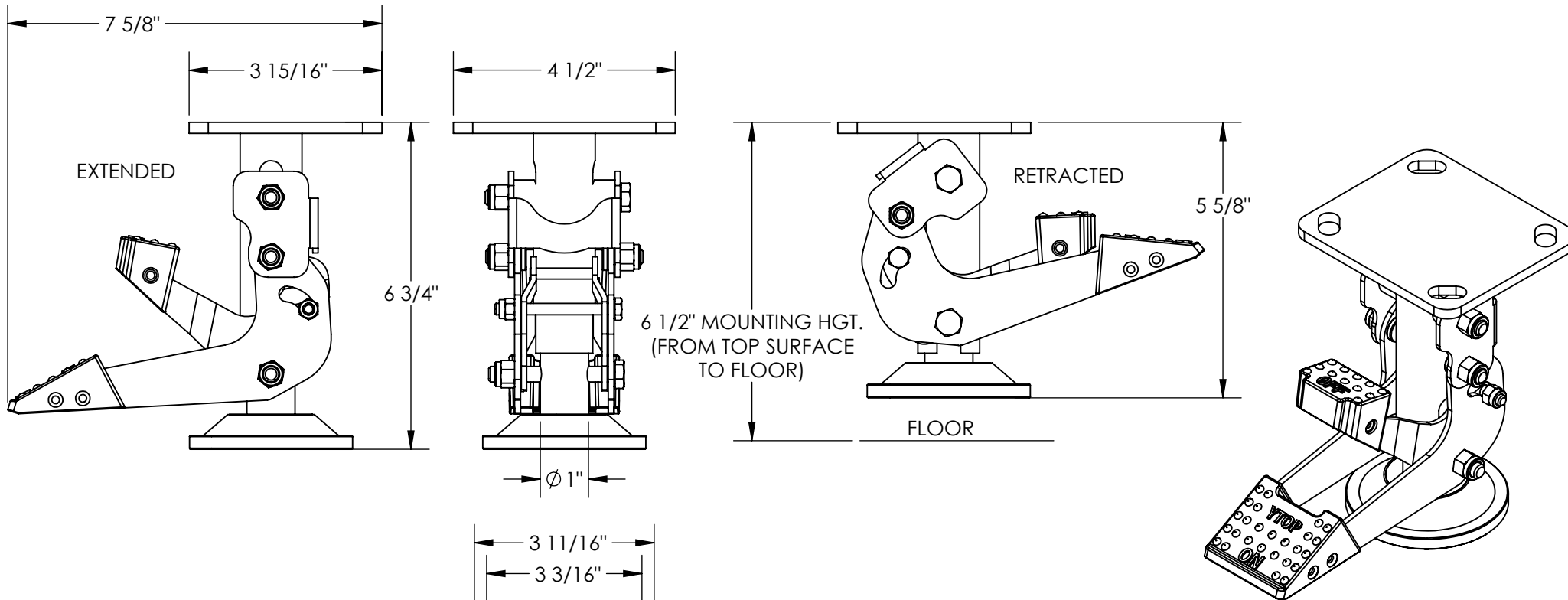


# POLYURETHANE FLOOR LOCKS - FL-LKH-5

APPROX WEIGHT: 5.19 lbs.  
 DOES NOT INCLUDE WEIGHT OF POWER OR PACKAGING!!!

\*\*\* ANY ADDITIONS, DELETIONS, OR OMISSIONS MUST BE CORRECTED ON THIS DRAWING AS THIS DRAWING WILL BE CONSIDERED ALL INCLUSIVE \*\*\*

ALL GRAPHICS PROVIDED ARE FOR REFERENCE ONLY. IF CERTAIN DIMENSIONS ARE CRITICAL PLEASE VERIFY THOSE DIMENSIONS WITH YOUR SALESPERSON



## STANDARD FEATURES

MODEL NUMBER IS FL-LKH-5  
 OVERALL WIDTH IS 4 1/2"  
 OVERALL LENGTH IS 7 5/8"  
 EXTENDED HEIGHT IS 6 3/4"  
 RETRACTED HEIGHT IS 5 5/8"  
 MOUNTING HEIGHT IS 6 1/2"  
 MOUNTING HARDWARE IS NOT INCLUDED

## SPECIAL FEATURES

NONE

$\phi 3/8" \times 13/16"$  SLOT

DIMENSION TOLERANCE  $\pm 1/4"$

**APPROVAL**

I, THE UNDERSIGNED, AGREE THAT THE PRODUCT AS REPRESENTED SATISFIES DESIGN AND DIMENSION REQUIREMENTS. I ALSO ACKNOWLEDGE MY DUTY TO CONFIRM PRODUCT AND INSTALLATION COMPLIANCE WITH ALL APPLICABLE FEDERAL, STATE AND LOCAL REGULATIONS AND STANDARDS.

**UNITS REQUIRING APPROVAL DRAWINGS OR MODIFIED ARE NON-RETURNABLE**

[ ] As drawn [ ] As marked

Signed: \_\_\_\_\_ Date: \_\_\_\_\_

Printed Name: \_\_\_\_\_

LEAD TIME WILL START UPON RECEIPT OF SIGNED APPROVAL DRAWING

DISTRIBUTOR'S NAME:		P.O.#
VESTIL MANUFACTURING		X
DRAWN BY:	DATE:	W.O.#
C.CLEMENS	7/19/18	X
REFERENCE:	SCALE:	SALES:
X	1:4	X
QUOTED LEAD TIME:	QUOTE #	FILE NAME:
X	X	16-007-441