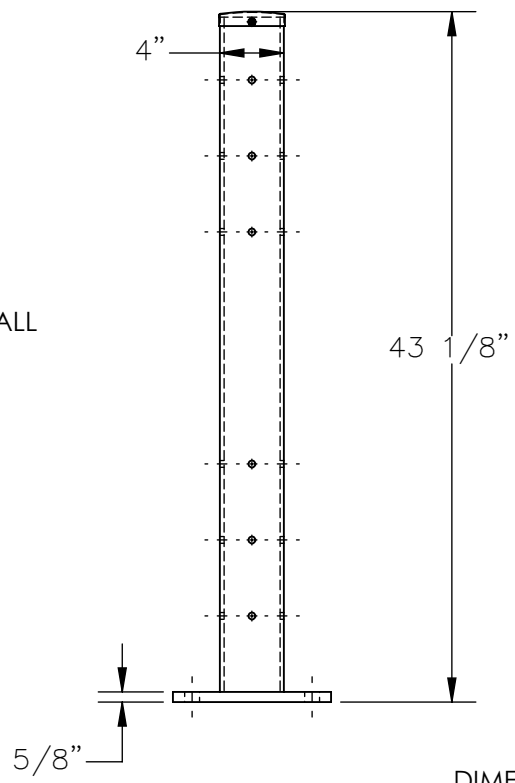
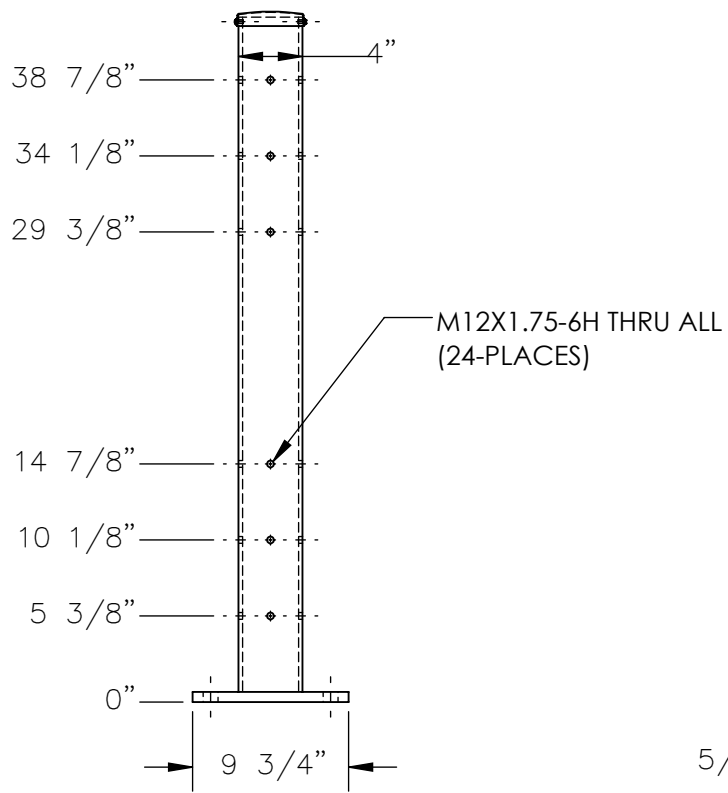
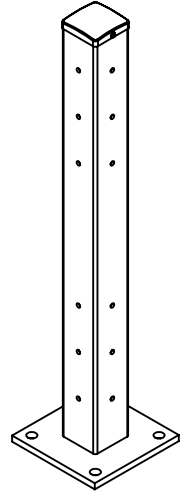
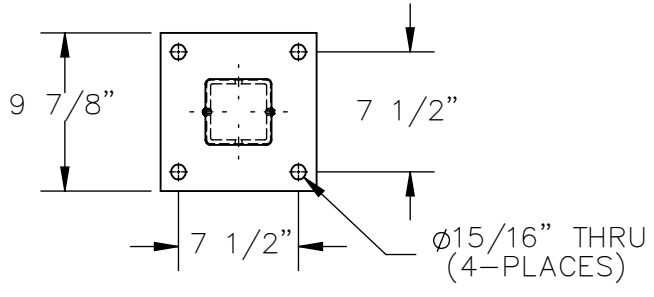


TUBULAR POST GUARD RAIL - GR-F3R-BO-TP42-YL

ANY ADDITIONS, DELETIONS, OR OMISSIONS MUST BE CORRECTED ON THIS DRAWING AS THIS DRAWING WILL BE CONSIDERED ALL INCLUSIVE

ALL GRAPHICS PROVIDED ARE FOR REFERENCE ONLY. IF CERTAIN DIMENSIONS ARE CRITICAL PLEASE VERIFY THOSE DIMENSIONS WITH YOUR SALESPERSON

APPROX WEIGHT: 44.59 lbs.
DOES NOT INCLUDE WEIGHT OF POWER OR PACKAGING!!!



DIMENSION TOLERANCE ± 1/2"

STANDARD FEATURES

- MODEL NUMBER IS: GR-F3R-BO-TP42-YL
- OVERALL HEIGHT IS: 43 1/8"
- 4" x 4" SQUARE TUBE
- 9 3/4"W x 9 7/8"L BASEPLATE
- (4) 15/16" MOUNTING HOLES ON BASE
- TOUGH BAKED IN POWDER COATED YELLOW FINISH
- CONCRETE MOUNTING KIT AVAILABLE SEPARATELY
- MOUNTING HOLES FOR 2 ROWS OF GUARD RAIL

SPECIAL FEATURES

NONE

A P P R O V A L	I, THE UNDERSIGNED, AGREE THAT THE PRODUCT AS REPRESENTED SATISFIES DESIGN AND DIMENSION REQUIREMENTS. I ALSO ACKNOWLEDGE MY DUTY TO CONFIRM PRODUCT AND INSTALLATION COMPLIANCE WITH ALL APPLICABLE FEDERAL, STATE AND LOCAL REGULATIONS AND STANDARDS.	
	UNITS REQUIRING APPROVAL DRAWINGS OR MODIFIED ARE NON-RETURNABLE	
	[] As drawn [] As marked	
	Signed: _____ Date: _____	
Printed Name: _____		
LEAD TIME WILL START UPON RECEIPT OF SIGNED APPROVAL DRAWING		

DISTRIBUTOR'S NAME:		P.O.#
VESTIL MANUFACTURING		X
DRAWN BY: JGP		W.O.#
DATE: 3/8/2022		X
REFERENCE: X	SCALE: 1:12	SALES: X
QUOTED LEAD TIME: X	QUOTE # X	FILE NAME:
		23-007-859