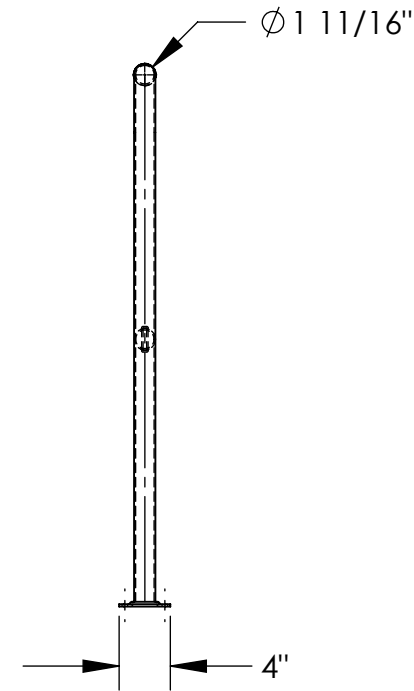
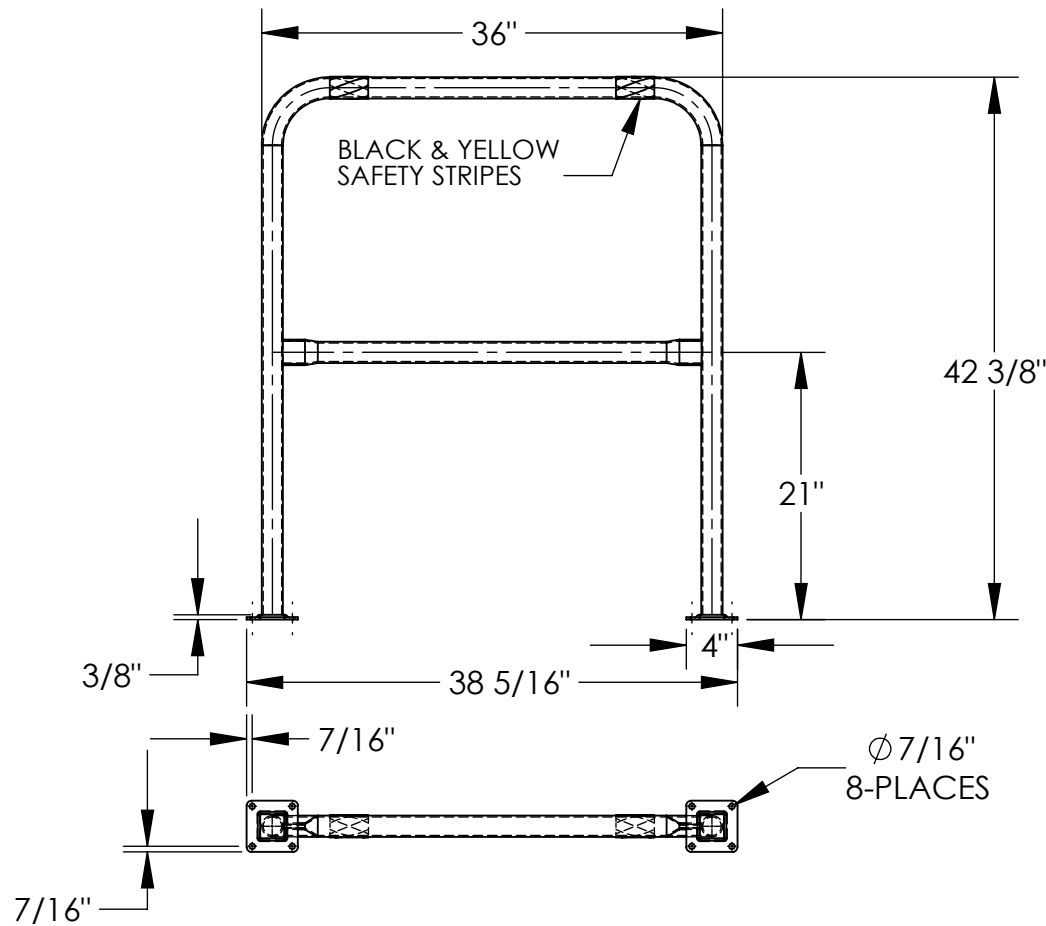


# HIGH PROFILE MACHINERY GUARD - HPRO-36-42-2

APPROX WEIGHT: 23.78 lbs.  
DOES NOT INCLUDE WEIGHT OF POWER OR PACKAGING!!!

\*\*\* ANY ADDITIONS, DELETIONS, OR OMISSIONS MUST BE CORRECTED ON THIS DRAWING AS THIS DRAWING WILL BE CONSIDERED ALL INCLUSIVE \*\*\*

ALL GRAPHICS PROVIDED ARE FOR REFERENCE ONLY. IF CERTAIN DIMENSIONS ARE CRITICAL PLEASE VERIFY THOSE DIMENSIONS WITH YOUR SALESPERSON



DIMENSION TOLERANCE ± 1/4"

I, THE UNDERSIGNED, AGREE THAT THE PRODUCT AS REPRESENTED SATISFIES DESIGN AND DIMENSION REQUIREMENTS. I ALSO ACKNOWLEDGE MY DUTY TO CONFIRM PRODUCT AND INSTALLATION COMPLIANCE WITH ALL APPLICABLE FEDERAL, STATE AND LOCAL REGULATIONS AND STANDARDS.

**ANY MODIFIED UNITS ARE NON-RETURNABLE**

[ ] As drawn [ ] As marked

Signed: \_\_\_\_\_ Date: \_\_\_\_\_

Printed Name: \_\_\_\_\_

LEAD TIME WILL START UPON RECEIPT OF SIGNED APPROVAL DRAWING

APPROVAL

DISTRIBUTOR'S NAME: \_\_\_\_\_ P.O.# \_\_\_\_\_

VESTIL MANUFACTURING

W.O.# \_\_\_\_\_

DRAWN BY: ND

DATE: 11/15/07

SALES: X

REFERENCE: X

SCALE: 1:15

FILE NAME:

QUOTED LEAD TIME: X

QUOTE # X

23-007-198

FOR INTERNAL USE ONLY  
PROJECT SIGN OFF

SALES	
ENG.	
FAB.	
POWER	

## SPECIAL FEATURES

NONE

## STANDARD FEATURES

- MODEL NUMBER IS HPRO-36-42-2
- MACHINE GUARD HEIGHT: 42 3/8"
- MACHINE GUARD LENGTH: 36"
- MACHINE GUARD DIAMETER: 1 11/16"
- MIDRAIL HEIGHT: 21"
- OVERALL LENGTH: 38 5/16"
- INCLUDES 2 MOUNTING BRACKETS
- TOUGH BAKED IN POWDER COATED YELLOW FINISH
- BLACK AND YELLOW SAFETY STRIPES
- ALL STEEL CONSTRUCTION (ASTM A-36 MIN.) WITH WELDING TO MEET AWS
- WARNING: CHECK APPLICABLE STATE AND LOCAL LAWS FOR YOUR AREA