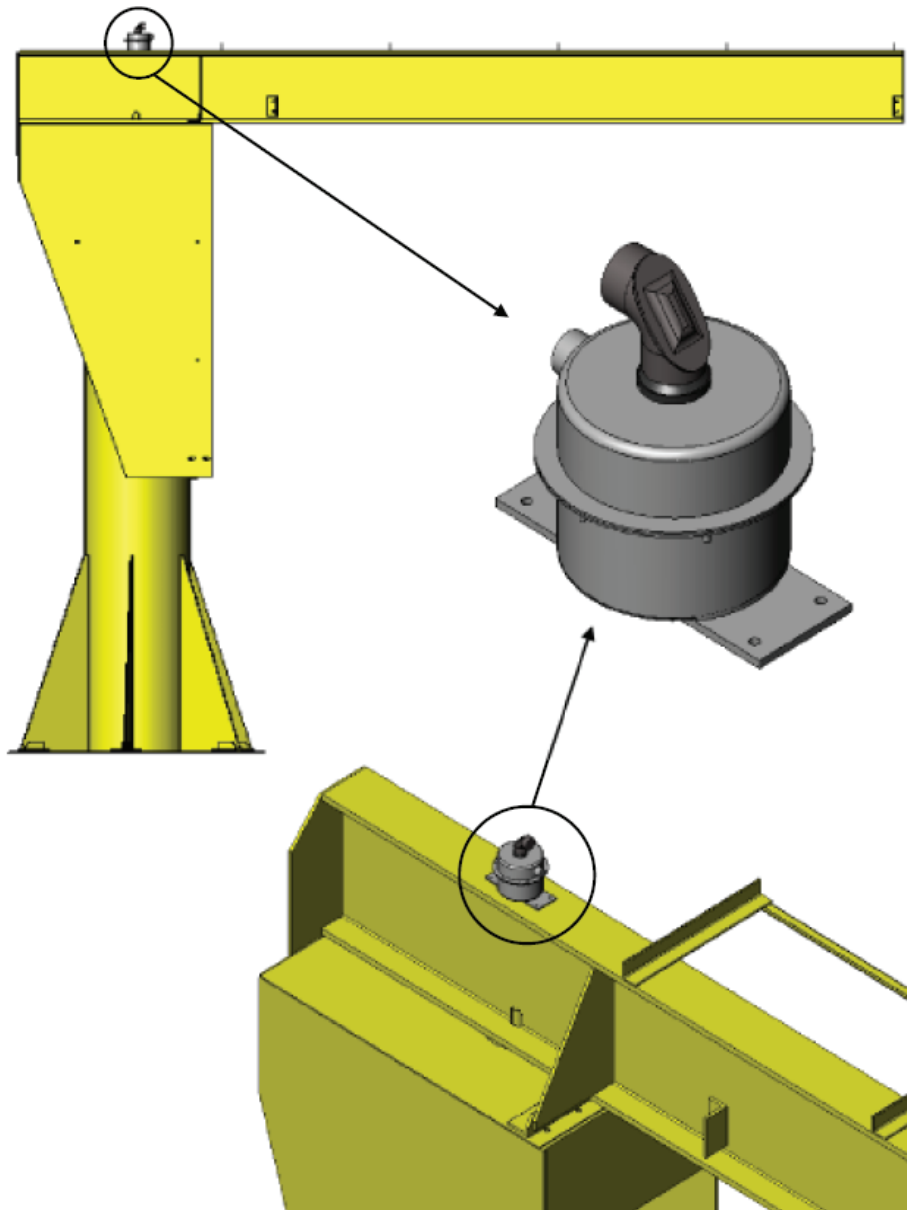


TOP ENTRY COLLECTOR



FEATURES & APPLICATIONS

Features

- Field mounted on top of boom at center rotation
- Holes will be pre-drilled for easy installation
- Complete enclosure for moisture and dust resistance

Applications

- Allows for continuous 360 degree jib rotation without power cord entanglement
- For use when power supply is located above jib