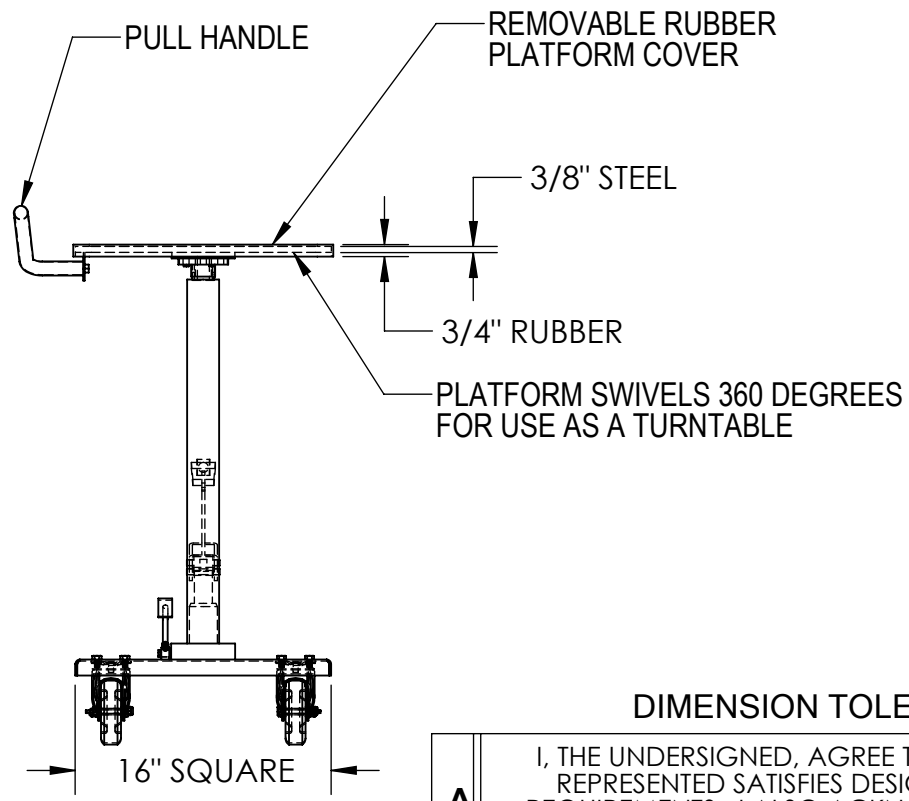
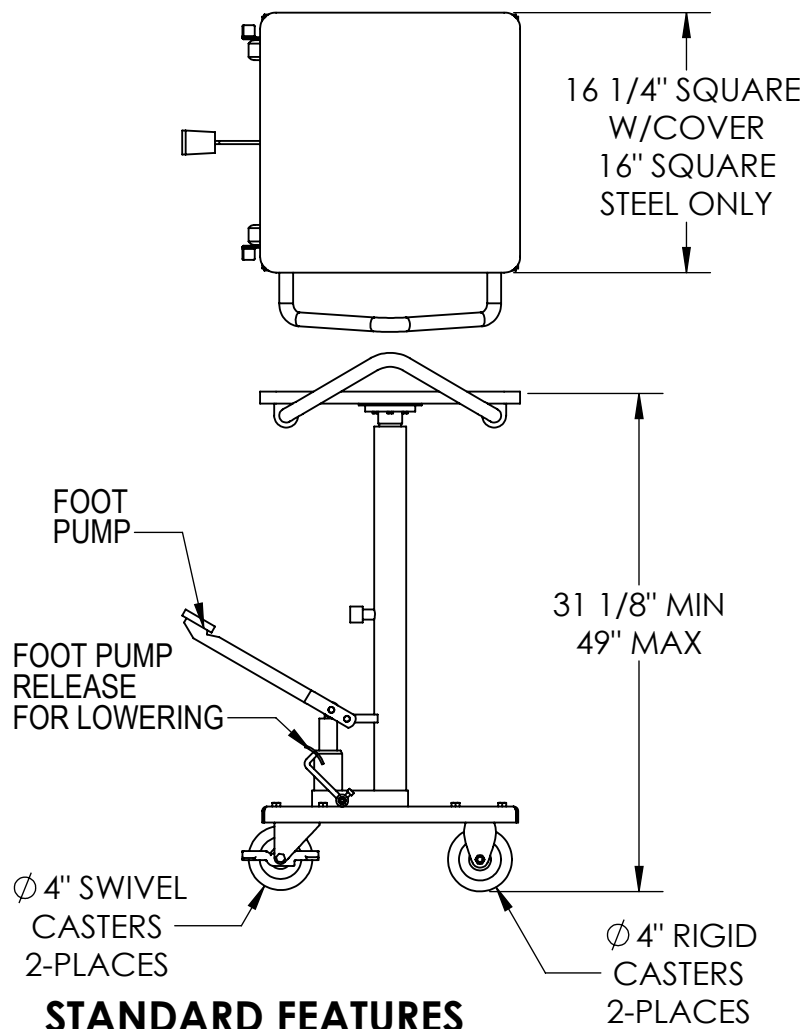


# HYDRAULIC POST TABLE - HT-02-1616A-PSS

APPROX WEIGHT: 126 lbs.  
DOES NOT INCLUDE WEIGHT OF POWER OR PACKAGING!!!

\*\*\* ANY ADDITIONS, DELETIONS, OR OMISSIONS MUST BE CORRECTED ON THIS DRAWING AS THIS DRAWING WILL BE CONSIDERED ALL INCLUSIVE \*\*\*

ALL GRAPHICS PROVIDED ARE FOR REFERENCE ONLY. IF CERTAIN DIMENSIONS ARE CRITICAL PLEASE VERIFY THOSE DIMENSIONS WITH YOUR SALESPERSON



## STANDARD FEATURES

- MODEL NUMBER IS HT-02-1616A-PSS
- MAX CAPACITY IS 200 LBS
- PLATFORM WIDTH IS 16 1/4"
- PLATFORM LENGTH IS 16 1/4"
- SERVICE RANGE IS 31" MIN TO 49" MAX
- MANUAL FOOT PUMP OPERATION
- CASTERS
  - 2 RIGID - 4" DIA. X 1 1/4" WIDE
  - 2 SWIVEL W/BRAKE - 4" DIA. X 1 1/4" WIDE
- PARTIALLY STAINLESS STEEL (PSS) UNITS
- HAVE STAINLESS PLATFORM, BASE FRAME, HANDLE, CASTER RIGS AND HARDWARE - PUMP AND LEG POSTS ARE ZINC PLATED

## SPECIAL FEATURES

NONE

DIMENSION TOLERANCE ± 1/4"

**APPROVAL**

I, THE UNDERSIGNED, AGREE THAT THE PRODUCT AS REPRESENTED SATISFIES DESIGN AND DIMENSION REQUIREMENTS. I ALSO ACKNOWLEDGE MY DUTY TO CONFIRM PRODUCT AND INSTALLATION COMPLIANCE WITH ALL APPLICABLE FEDERAL, STATE AND LOCAL REGULATIONS AND STANDARDS.

**UNITS REQUIRING APPROVAL DRAWINGS OR MODIFIED ARE NON-RETURNABLE**

[ ] As drawn [ ] As marked

Signed: \_\_\_\_\_ Date: \_\_\_\_\_

Printed Name: \_\_\_\_\_

*LEAD TIME WILL START UPON RECEIPT OF SIGNED APPROVAL DRAWING*

DISTRIBUTOR'S NAME:		P.O.#
VESTIL MANUFACTURING		X
DRAWN BY: MTS		DATE: 03/13/2024
REFERENCE: X		SCALE: 1:12
QUOTED LEAD TIME: X		QUOTE # X
		SALES: X
		FILE NAME: 21-007-204