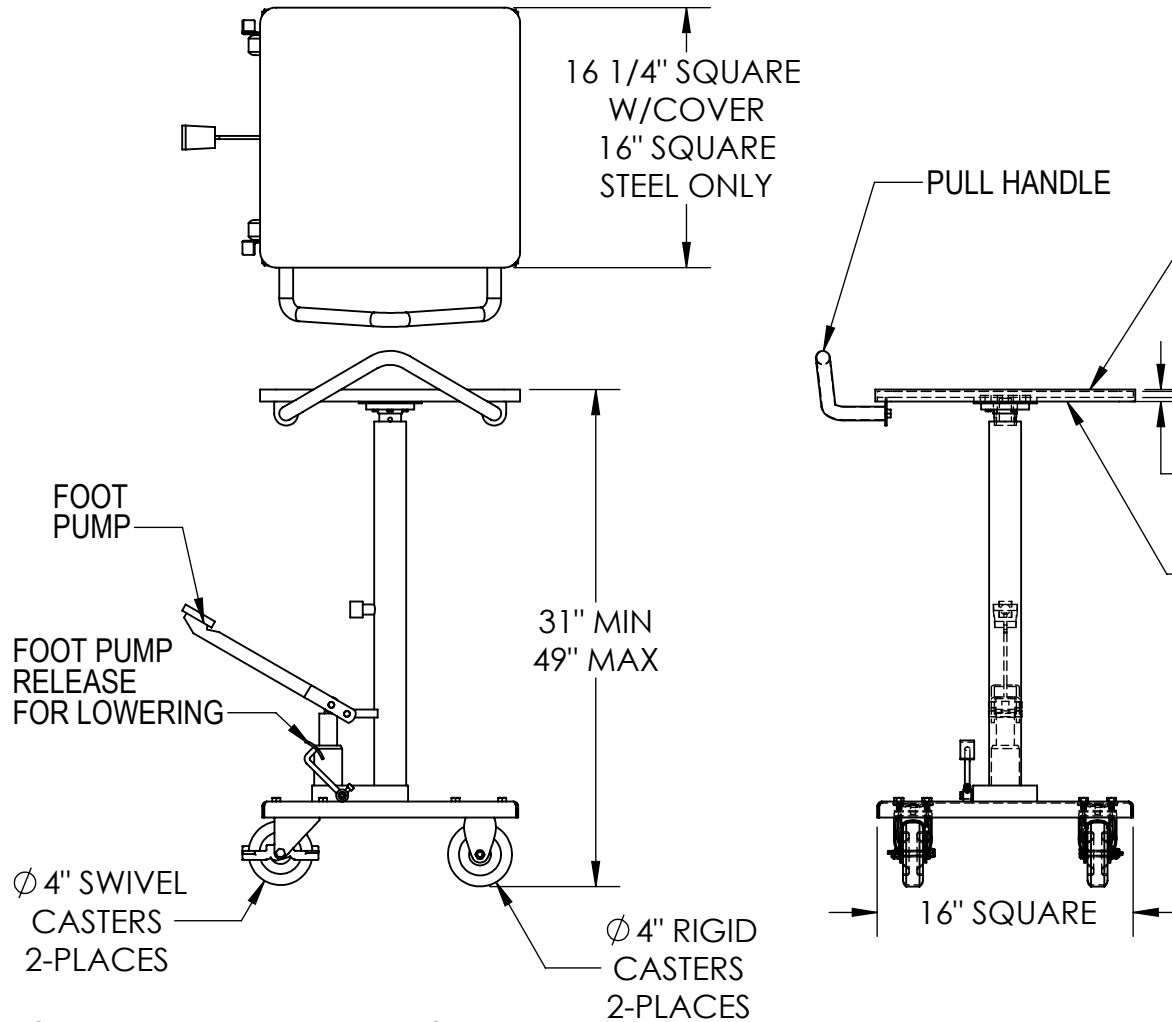


# HYDRAULIC POST TABLE - HT-02-1616A

APPROX WEIGHT: 126 lbs.  
 DOES NOT INCLUDE WEIGHT OF POWER OR PACKAGING!!!

\*\*\* ANY ADDITIONS, DELETIONS, OR OMISSIONS MUST BE CORRECTED ON THIS DRAWING AS THIS DRAWING WILL BE CONSIDERED ALL INCLUSIVE \*\*\*

ALL GRAPHICS PROVIDED ARE FOR REFERENCE ONLY. IF CERTAIN DIMENSIONS ARE CRITICAL PLEASE VERIFY THOSE DIMENSIONS WITH YOUR SALESPERSON



## STANDARD FEATURES

MODEL NUMBER IS HT-02-1616A  
 MAX CAPACITY IS 200 LBS  
 PLATFORM WIDTH IS 16 1/4"  
 PLATFORM LENGTH IS 16 1/4"  
 SERVICE RANGE IS 31" MIN TO 49" MAX  
 MANUAL FOOT PUMP OPERATION  
 CASTERS

2 RIGID - 4" DIA. X 1 1/4" WIDE  
 2 SWIVEL W/BRAKE - 4" DIA. X 1 1/4" WIDE

DURABLE LIQUID PAINT BLUE FINISH FRAME  
 CHROME PLATFORM WITH REMOVABLE RUBBER COVER

## SPECIAL FEATURES NONE

DIMENSION TOLERANCE ± 1/4"

APPROVAL

I, THE UNDERSIGNED, AGREE THAT THE PRODUCT AS REPRESENTED SATISFIES DESIGN AND DIMENSION REQUIREMENTS. I ALSO ACKNOWLEDGE MY DUTY TO CONFIRM PRODUCT AND INSTALLATION COMPLIANCE WITH ALL APPLICABLE FEDERAL, STATE AND LOCAL REGULATIONS AND STANDARDS.  
**UNITS REQUIRING APPROVAL DRAWINGS OR MODIFIED ARE NON-RETURNABLE**

As drawn       As marked

Signed: \_\_\_\_\_ Date: \_\_\_\_\_

Printed Name: \_\_\_\_\_

*LEAD TIME WILL START UPON RECEIPT OF SIGNED APPROVAL DRAWING*

DISTRIBUTOR'S NAME:		P.O.#
VESTIL MANUFACTURING		X
DRAWN BY: MTS		DATE: 03/13/2024
REFERENCE: X		SCALE: 1:12
QUOTED LEAD TIME: X		QUOTE # X
		SALES: X
		FILE NAME: 21-007-040