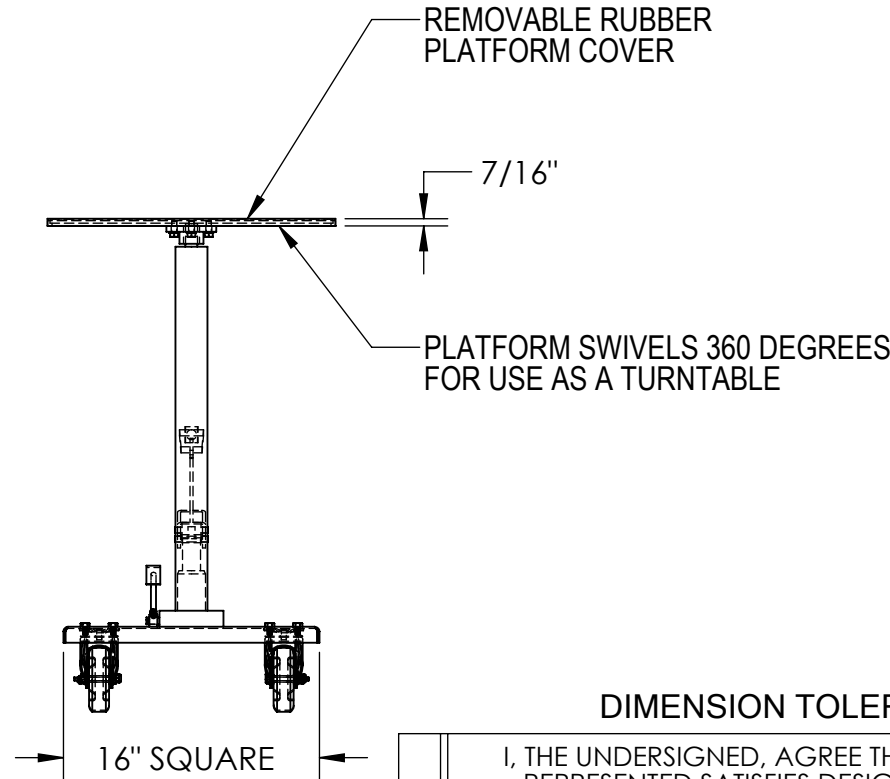
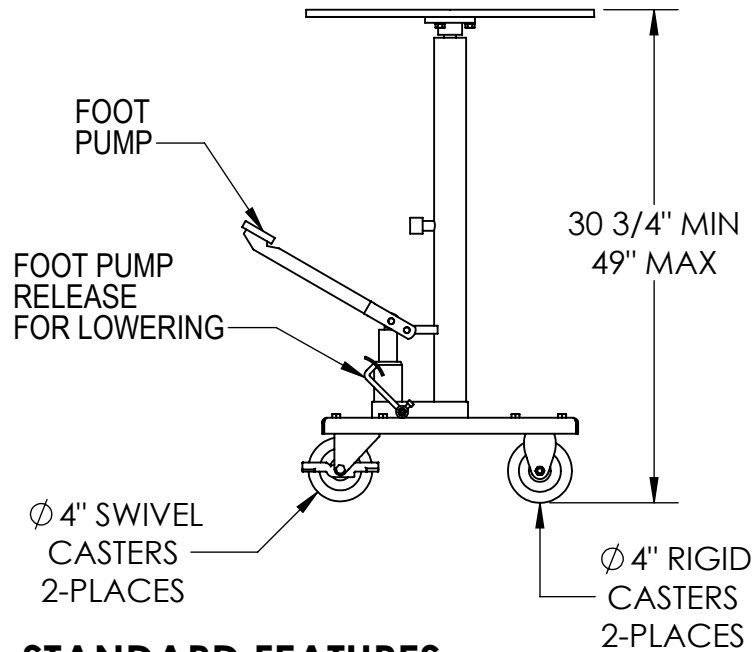
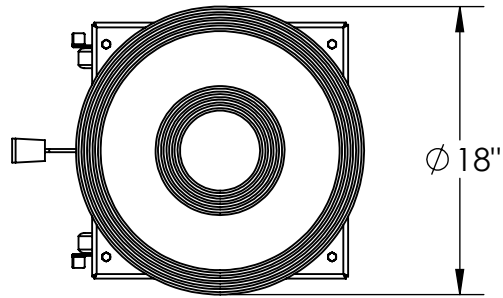


HYDRAULIC POST TABLE - HT-02-18R-PSS

APPROX WEIGHT: 126 lbs.
DOES NOT INCLUDE WEIGHT OF POWER OR PACKAGING!!!

*** ANY ADDITIONS, DELETIONS, OR OMISSIONS MUST BE CORRECTED ON THIS DRAWING AS THIS DRAWING WILL BE CONSIDERED ALL INCLUSIVE ***

ALL GRAPHICS PROVIDED ARE FOR REFERENCE ONLY. IF CERTAIN DIMENSIONS ARE CRITICAL PLEASE VERIFY THOSE DIMENSIONS WITH YOUR SALESPERSON



STANDARD FEATURES

MODEL NUMBER IS HT-02-18R-PSS
MAX CAPACITY IS 200 LBS
PLATFORM DIA. IS 18"
SERVICE RANGE IS 31" MIN TO 49" MAX
MANUAL FOOT PUMP OPERATION
CASTERS

2 RIGID - 4" DIA. X 1 1/4" WIDE
2 SWIVEL W/BRAKE - 4" DIA. X 1 1/4" WIDE
PARTIALLY STAINLESS STEEL (PSS) UNITS
HAVE STAINLESS PLATFORM, BASE FRAME, HANDLE,
CASTER RIGS AND HARDWARE - PUMP AND LEG
POSTS ARE ZINC PLATED
REMOVABLE RUBBER COVER ON STEEL PLATFORM

SPECIAL FEATURES

NONE

DIMENSION TOLERANCE $\pm 1/4"$

APPROVAL

I, THE UNDERSIGNED, AGREE THAT THE PRODUCT AS REPRESENTED SATISFIES DESIGN AND DIMENSION REQUIREMENTS. I ALSO ACKNOWLEDGE MY DUTY TO CONFIRM PRODUCT AND INSTALLATION COMPLIANCE WITH ALL APPLICABLE FEDERAL, STATE AND LOCAL REGULATIONS AND STANDARDS.
UNITS REQUIRING APPROVAL DRAWINGS OR MODIFIED ARE NON-RETURNABLE

As drawn As marked

Signed: _____ Date: _____

Printed Name: _____

LEAD TIME WILL START UPON RECEIPT OF SIGNED APPROVAL DRAWING

DISTRIBUTOR'S NAME:		P.O.#
VESTIL MANUFACTURING		X
DRAWN BY: MTS		DATE: 03/13/2024
REFERENCE: X		SCALE: 1:12
QUOTED LEAD TIME: X		QUOTE # X
		SALES: X
		FILE NAME: 21-007-200