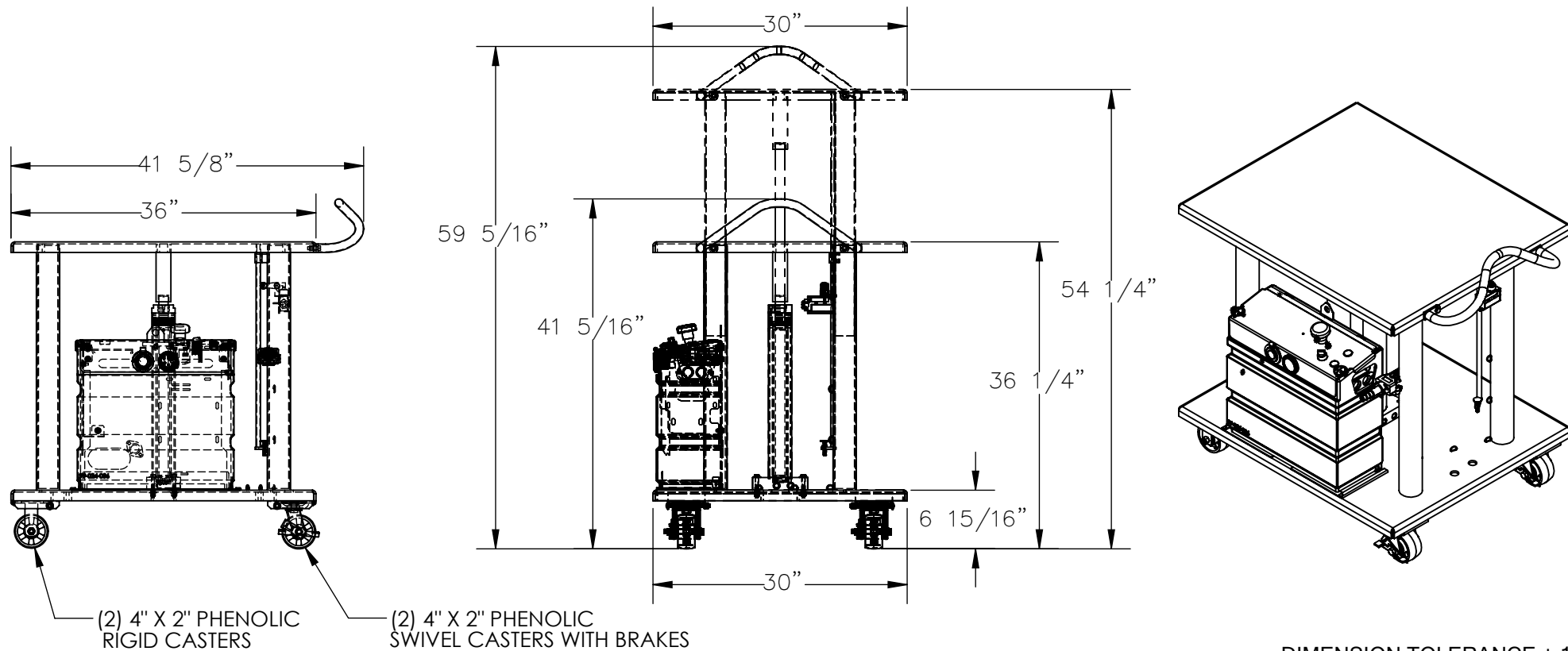


HYDRAULIC POST TABLE - HT-20-3036-DC

APPROX WEIGHT: 327.44 lbs.
DOES NOT INCLUDE WEIGHT OF POWER OR PACKAGING!!!

*** ANY ADDITIONS, DELETIONS, OR OMISSIONS MUST BE CORRECTED ON THIS DRAWING AS THIS DRAWING WILL BE CONSIDERED ALL INCLUSIVE ***

ALL GRAPHICS PROVIDED ARE FOR REFERENCE ONLY. IF CERTAIN DIMENSIONS ARE CRITICAL PLEASE VERIFY THOSE DIMENSIONS WITH YOUR SALESPERSON



DIMENSION TOLERANCE ± 1/4"

STANDARD FEATURES

MODEL NUMBER IS HT-20-3036-DC
MAX CAPACITY IS 2,000 LBS.
OVERALL WIDTH: 30"
USABLE WIDTH: 30"
OVERALL LENGTH: 41 5/8"
USABLE LENGTH: 36"
RAISED HEIGHT: 54 1/4"
LOWERED HEIGHT: 36 1/4"
OVERALL RAISED HEIGHT: 59 5/16"
OVERALL LOWERED HEIGHT: 41 5/16"
(2) PHENOLIC RIGID CASTERS
(2) PHENOLIC SWIVEL CASTERS WITH BRAKES
HYDRAULIC HOSES NOT SHOWN
TOUGH BAKED IN POWDER COATED BLUE FINISH

PLEASE CIRCLE SPECIFICATIONS:

POWER	AC	DC (12V)	*AIR/OIL
MOTOR VOLTAGE	115	208	230 460
DEDICATED CIRCUIT REQUIRED			
MOTOR PHASE	SINGLE	THREE	
CONTROL	HAND	* FOOT	
~ ALL BATTERY CHARGERS ARE 115V AC ~			
BATTERY CHRG.	REMOTE	ON-BOARD	
* CHRG. INDICATOR	YES	NO	

* AVAILABLE AT ADDITIONAL COST

SPECIAL FEATURES

NONE

APPROVAL

I, THE UNDERSIGNED, AGREE THAT THE PRODUCT AS REPRESENTED SATISFIES DESIGN AND DIMENSION REQUIREMENTS. I ALSO ACKNOWLEDGE MY DUTY TO CONFIRM PRODUCT AND INSTALLATION COMPLIANCE WITH ALL APPLICABLE FEDERAL, STATE AND LOCAL REGULATIONS AND STANDARDS.
UNITS REQUIRING APPROVAL DRAWINGS OR MODIFIED ARE NON-RETURNABLE
[] As drawn [] As marked

Signed: _____ Date: _____

Printed Name: _____

LEAD TIME WILL START UPON RECEIPT OF SIGNED APPROVAL DRAWING

DISTRIBUTOR'S NAME:		P.O.#
VESTIL MANUFACTURING		X
DRAWN BY: CRH		DATE: 3/11/2020
REFERENCE: X		SCALE: 1:18
QUOTED LEAD TIME: X		QUOTE # X
		SALES: X
		FILE NAME: 21-007-050