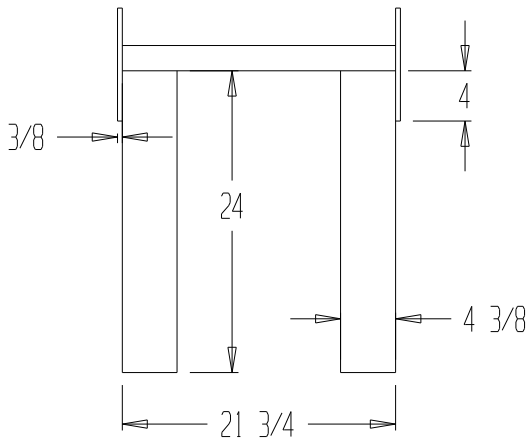


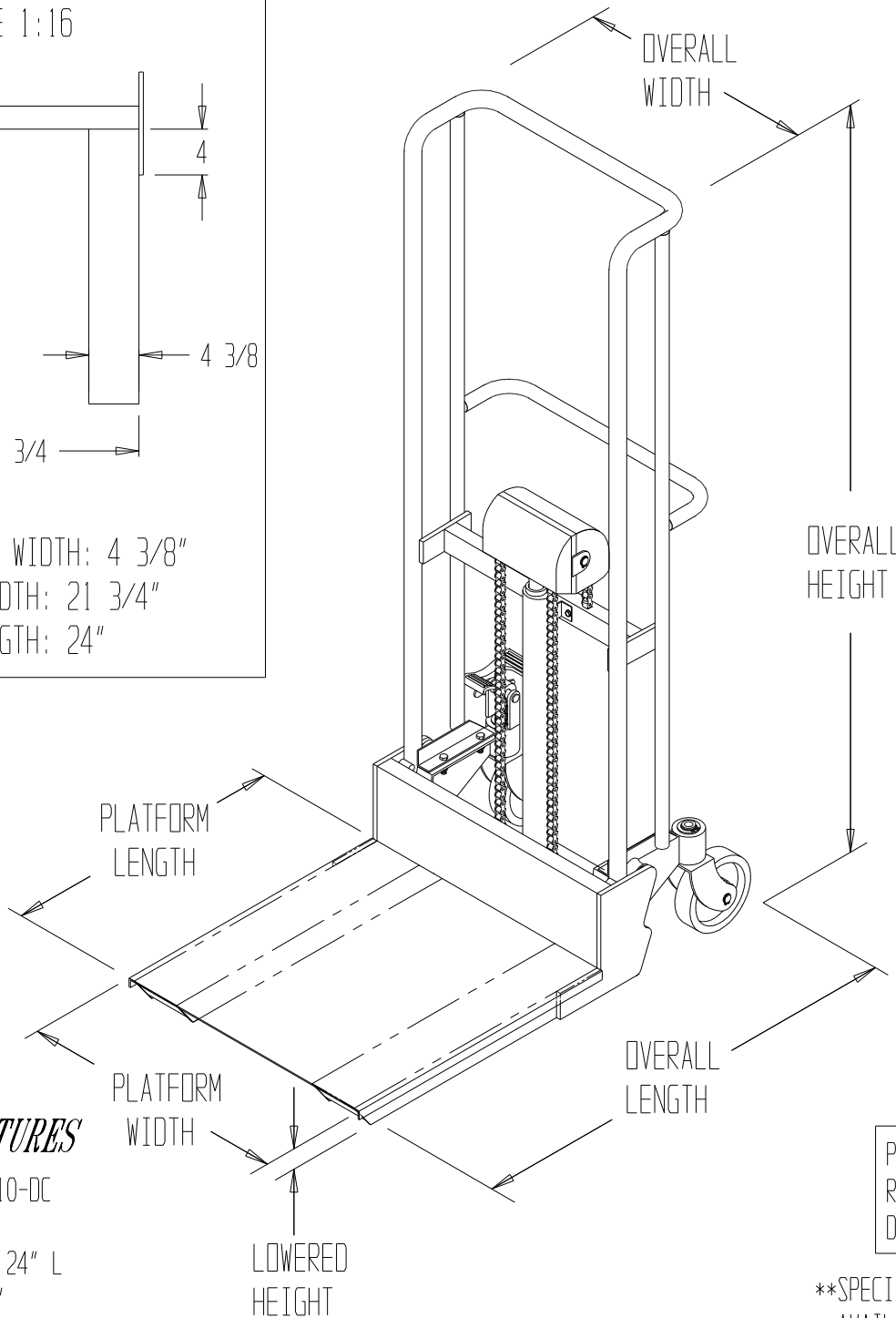
FORK DETAIL - TOP VIEW
SCALE 1:16



FORK SPECS:

- INDIVIDUAL FORK WIDTH: 4 3/8"
- OVERALL FORK WIDTH: 21 3/4"
- USABLE FORK LENGTH: 24"

HEFTI-LIFT, HYD-10-DC



STANDARD FEATURES

- MODEL NUMBER: HYD-10-DC
- CAPACITY: 880 LBS
- DECK SIZE: 23" W x 24" L
- OVERALL HEIGHT: 70"
- OVERALL LENGTH: 36"
- OVERALL WIDTH: 23"
- LOWERED HEIGHT: 3 1/2"
- RAISED HEIGHT: 59"
- HANDLE HEIGHT: 42"
- CASTERS: 2- BACK 6" x 2"
- 2- FRONT 3" x 2"
- 12V DC POWERED (NOT SHOWN)

SPECIAL FEATURES

NONE

PRODUCTION WILL START UPON
RECEIPT OF SIGNED APPROVAL
DRAWING

**SPECIAL UNITS ARE NON-RETURNABLE
*AVAILABLE AT ADDITIONAL COSTS

APPROVAL

I, the undersigned, hereby approve this print
 As drawn As marked
 This includes my approval of design & dimensions.
 Signed: _____
 Date: _____

**Any additions, deletions or omissions must
be corrected on this drawing, as this drawing
will be considered all inclusive.**

*** ALL GRAPHICS PROVIDED ARE FOR REFERENCE ONLY. IF CERTAIN DIMENSIONS
ARE CRITICAL PLEASE VERIFY THOSE DIMENSIONS WITH YOUR SALESPERSON. ***

| | | |
|---|--|-------------------------------|
| DISTRIBUTOR'S NAME: VESTIL MFG. CO. | | P.O.#: _ |
| DRAWN BY: SR | | W.O.#: _ |
| DATE: 1-14-08 | | SALES: _ |
| REFERENCE: - | | DRWG./FILE NAME: HYD-10-DC |