

KStrong® BRUTE™ 10 ft. Galvanized Steel Cable SRL with swivel snap hook. Includes installation carabiner (ANSI).

Model: UFS310010



KStrong® BRUTE™ 10' Galvanized Wire Cable SRL with High Impact Strength Polymer Housing with Built-in Handle, swivel eye at anchorage end, other end with load indicator swivel snap hook. Includes one (1) installation carabiner (ANSI)

DESIGN

- Robust & durable plastic casing
- Convenient inbuilt carry handle at anchorage end
- Steel swivel snap hook at retractable end - gate strength 3600 lbs. (1633 kg)
- Galvanized steel wire rope

LENGTH

10 ft.

CABLE

Material: Galvanized steel wire rope Ø3/16 inches
Minimum Breaking Strength: 3400 lbs. (1542 kg)

WEIGHT

5.55 lbs. ± 0.22 lbs. (2517 gm ± 100 gm)

USER CAPACITY

ANSI User Capacity: 310 lbs. Max.
OSHA User Capacity: 400 lbs. Max

RELEVANT STANDARDS

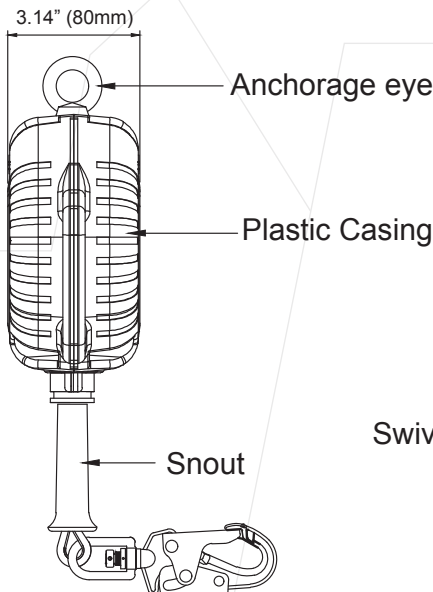
Meets or Exceeds ANSI Z359.14-2021 Class 1

Class
1
Anchor at or above dorsal D-ring

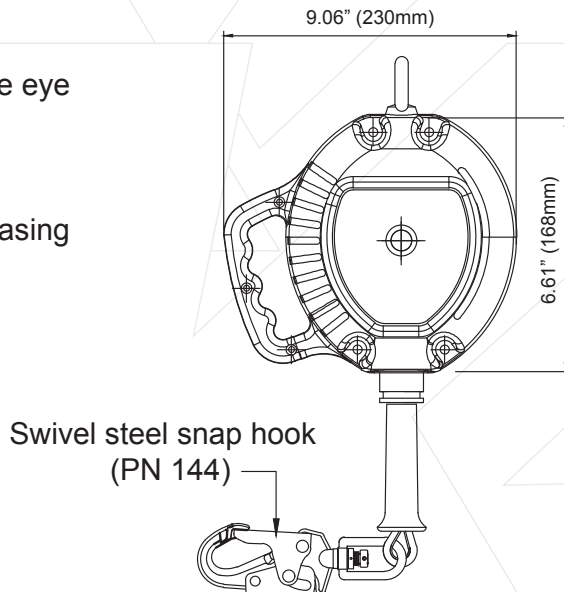
OSHA
RATED
400
LBS.
BRUTE



SIDE VIEW



FRONT VIEW



Batch #: _____ Serial #: _____
Date of First Use: _____