

KStrong® BRUTE™ 50 ft. Stainless Steel Cable SRL with swivel snap hook. Includes installation carabiner and tagline (ANSI).

Model: UFS310050(SS)

BRUTE™

SRL SERIES

KStrong® BRUTE™ 50' Stainless Steel Wire Cable SRL with High Impact Strength Polymer Housing with Built-in Handle, swivel eye at anchorage end, other end with load indicator swivel snap hook. Includes one (1) installation carabiner and one (1) tagline AFZ830050 (ANSI)

DESIGN

- Robust & durable plastic casing
- Convenient inbuilt carry handle at anchorage end
- Steel swivel snap hook at retractable end - gate strength 3600 lbs. (1633 kg)
- Stainless Steel wire rope

LENGTH

50 ft.

CABLE

Material: Stainless Steel wire rope Ø3/16 inches
Minimum Breaking Strength: 3400 lbs. (1542 kg)

WEIGHT

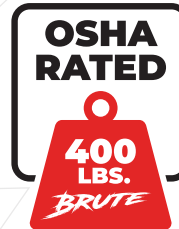
17.73 lbs. ± 0.22 lbs. (8042 gm ± 100 gm)

USER CAPACITY

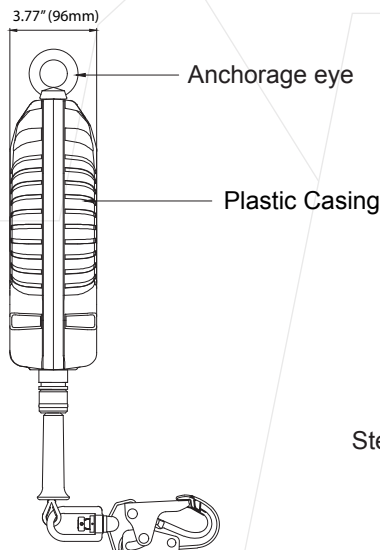
ANSI User Capacity: 310 lbs. Max.
OSHA User Capacity: 400 lbs. Max

RELEVANT STANDARDS

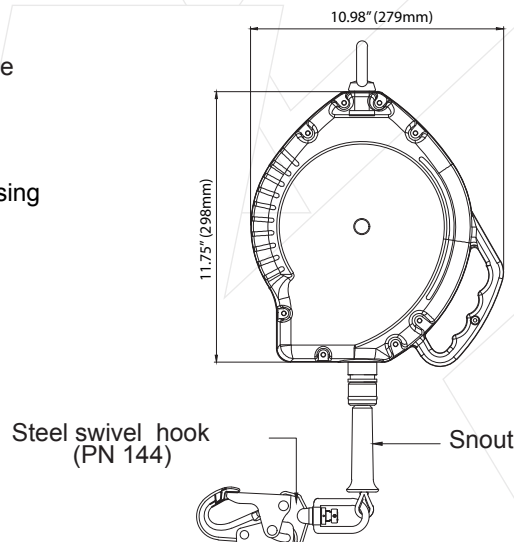
Meets or Exceeds ANSI Z359.14-2014 Class B



SIDE VIEW



FRONT VIEW



Batch #: _____ Serial #: _____
Date of First Use: _____