

KStrong® 6 ft. Micron™ SRL with Large Aluminum Rebar Hook with Steel ANSI Gate (ANSI) - Harness Connector Included

Model: UFS356002

MICRON™

SRL SERIES

KStrong® 6 ft. Micron™ SRL with large aluminum rebar hook with steel ANSI gate at anchor end. Includes one (1) quarter turn locking carabiner (UFC401101).

PHYSICAL PARAMETERS

- Lightest available SRL in its range/class
- Robust & durable plastic casing
- Dyneema Webbing with Energy absorber
- Large Aluminum Rebar Hook with Steel ANSI Gate at bottom end
- Quarter turn locking steel carabiner (UFC401101) included

LENGTH

6 ft.

WEBBING

Material: Dyneema Webbing 13/16" (21mm)
Min. Breaking strength: 4500 lbs.

WEIGHT

2.87 lbs. ± 0.22 lbs. (1302 gm ± 100 gm)

USER CAPACITY

OSHA Working Load Capacity: 420 lbs.
ANSI Working Load Capacity: 310 lbs.

RELEVANT STANDARDS

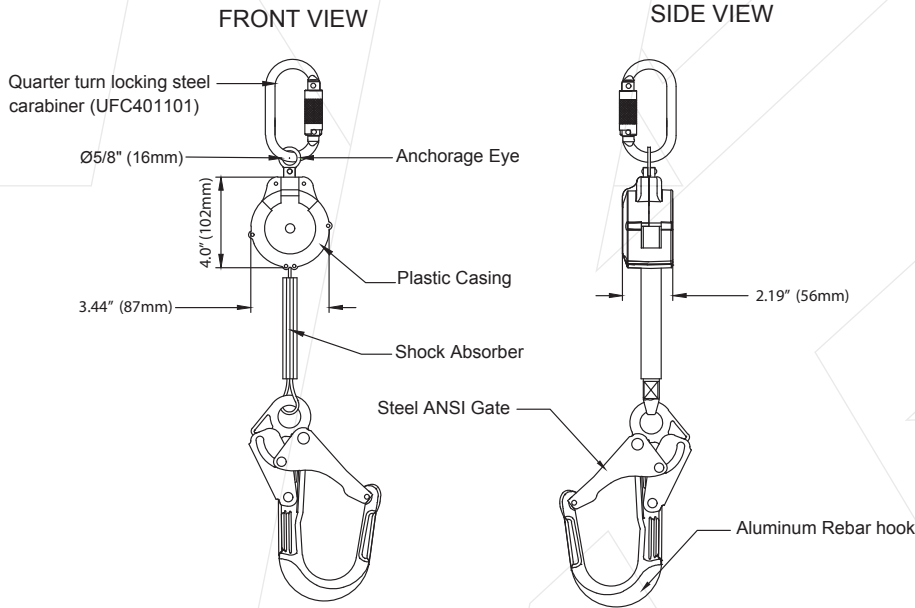
Meets or Exceeds ANSI Z359.14-2021 Class 1

Class
1
Anchor at or above dorsal D-ring

OSHA RATED
420 LBS.
MICRON



The Micron™ series of SRL's have not only been tested to ANSI Z359.14-2021 but also to a Fall Factor of 2. This means that when a preferred overhead anchor point is not present, a worker may connect to a suitable anchor up to 5 ft. below the dorsal D-ring height of their full body harness.



Batch #: _____ Serial #: _____
Date of First Use: _____