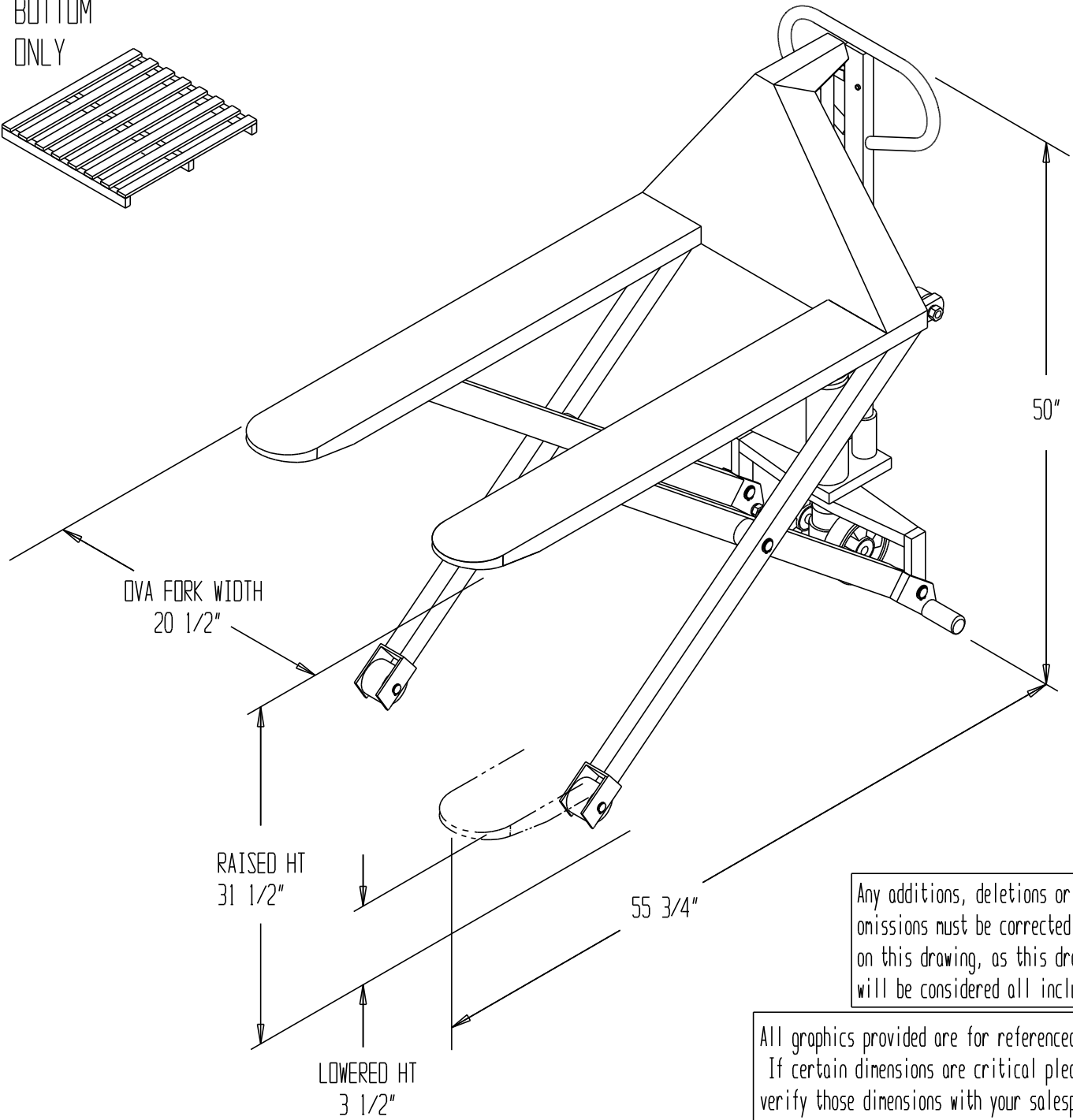
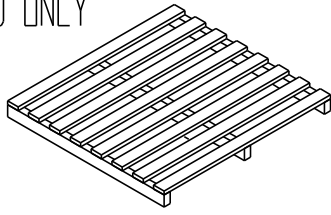


FOR USE WITH
OPEN BOTTOM
SKID ONLY

TOTE LIFTER, L-220-HD



Any additions, deletions or omissions must be corrected on this drawing, as this drawing will be considered all inclusive.

All graphics provided are for reference only. If certain dimensions are critical please verify those dimensions with your salesperson

STANDARD FEATURES

MODEL NUMBER: L-220-HD
CAPACITY: 3,000 LBS
LOWERED HT: 3 1/2"
RAISED HT : 31 1/2"
FORK LENGTH : 43"
FORK WIDTH : 6 1/2"
OVERALL FORK WIDTH : 20 1/2"
UNIT TAKES 36 PUMPS TO FULLY RAISE

**A
P
P
R
O
V
A
L**

I, THE UNDERSIGNED, AGREE THAT THE PRODUCT AS REPRESENTED SATISFIES DESIGN & DIMENSION REQUIREMENTS. I ALSO ACKNOWLEDGE MY DUTY TO CONFIRM PRODUCT & INSTALLATION COMPLIANCE WITH ALL APPLICABLE FEDERAL, STATE AND LOCAL REGULATIONS & STANDARDS.

ALL SPECIAL UNITS ARE NON-RETURNABLE

[] As drawn [] As marked

Signed: _____ Date: _____

LEAD TIME WILL START UPON RECEIPT OF SIGNED APPROVAL DRAWING

DISTRIBUTOR'S NAME: VESTIL MFG		P.O.#: _
DRAWN BY: _____		W.O.#: _
DATE: _	SCALE: _	SALES: _
REFERENCE: _	QUOTE #: _	DRWG./FILE NAME: L-220-HD
QUOTED LEADTIME: _	QUOTE #: _	