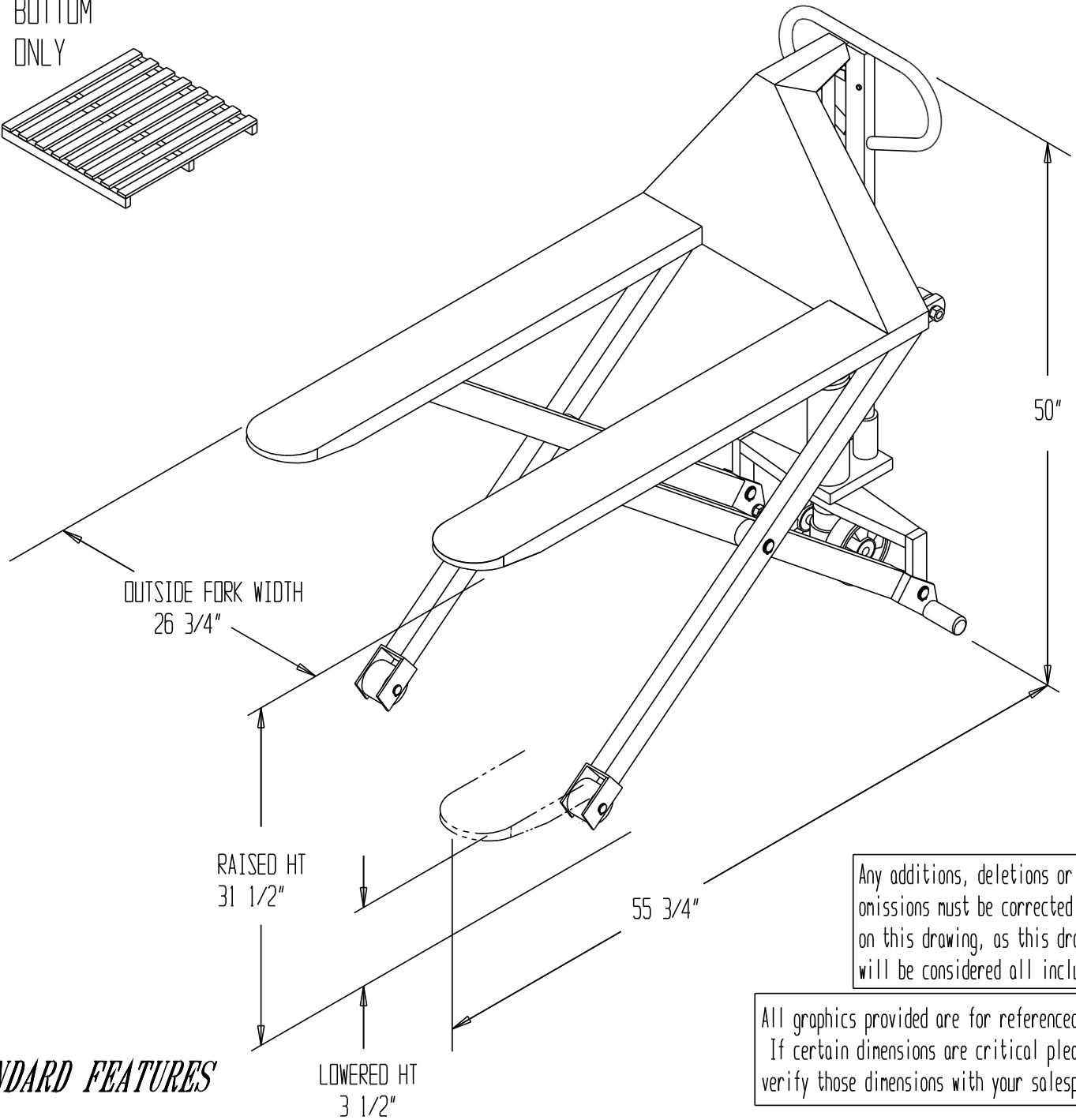
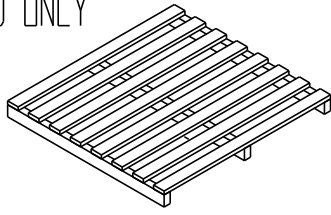


FOR USE WITH
OPEN BOTTOM
SKID ONLY

TOTE LIFTER, L-270-HD



Any additions, deletions or omissions must be corrected on this drawing, as this drawing will be considered all inclusive.

All graphics provided are for reference only. If certain dimensions are critical please verify those dimensions with your salesperson

STANDARD FEATURES

- MODEL NUMBER: L-270-HD
- CAPACITY: 3,000 LBS
- LOWERED HT: 3 1/2"
- RAISED HT : 31 1/2"
- FORK LENGTH : 43"
- FORK WIDTH : 6 1/2"
- OVERALL FORK WIDTH : 26 3/4"
- LOAD CENTER 21 3/4"

**SPECIAL UNITS ARE NON-RETURNABLE
*AVAILABLE AT ADDITIONAL COSTS

**A
P
P
R
O
V
A
L** I, THE UNDERSIGNED, AGREE THAT THE PRODUCT AS REPRESENTED SATISFIES DESIGN & DIMENSION REQUIREMENTS. I ALSO ACKNOWLEDGE MY DUTY TO CONFIRM PRODUCT & INSTALLATION COMPLIANCE WITH ALL APPLICABLE FEDERAL, STATE AND LOCAL REGULATIONS & STANDARDS.
ALL SPECIAL UNITS ARE NON-RETURNABLE
[] As drawn [] As marked
Signed: _____ Date: _____
LEAD TIME WILL START UPON RECEIPT OF SIGNED APPROVAL DRAWING

UNIT TAKES 36 PUMPS TO FULLY RAISE

DISTRIBUTOR'S NAME: VESTIL MFG		P.O.#: _
DRAWN BY: _____		W.O.#: _
DATE: _	SALES: _	
REFERENCE: _	SCALE: _	DRWG./FILE NAME: L-270-HD
QUOTED LEADTIME: _	QUOTE #: _	