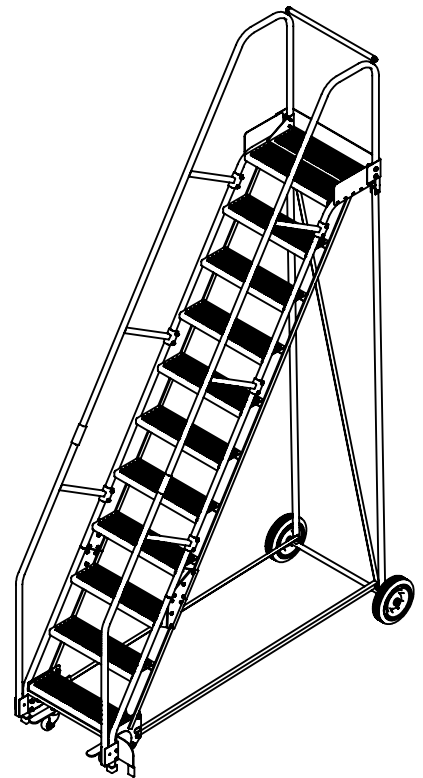
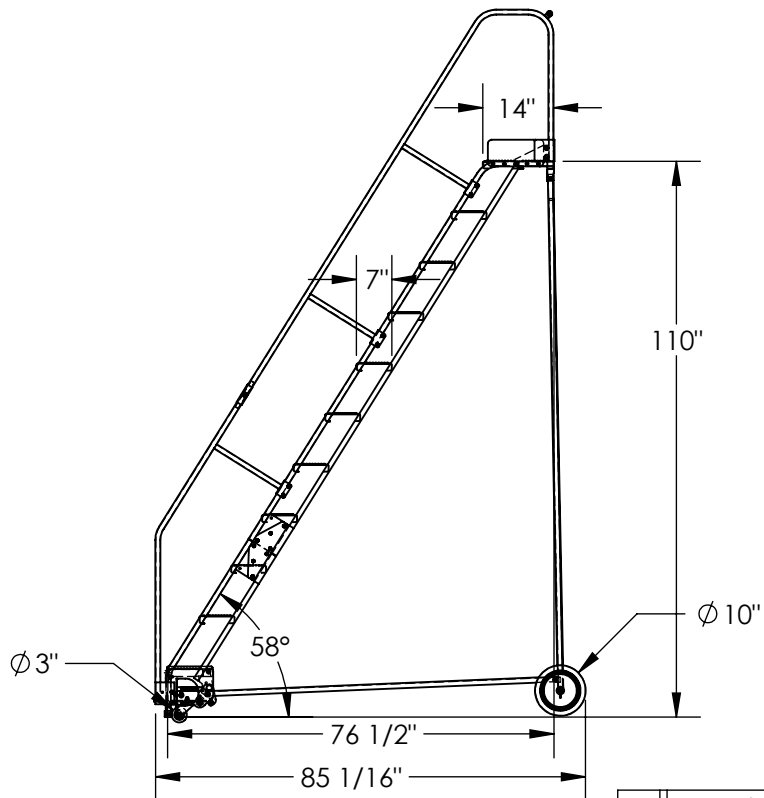
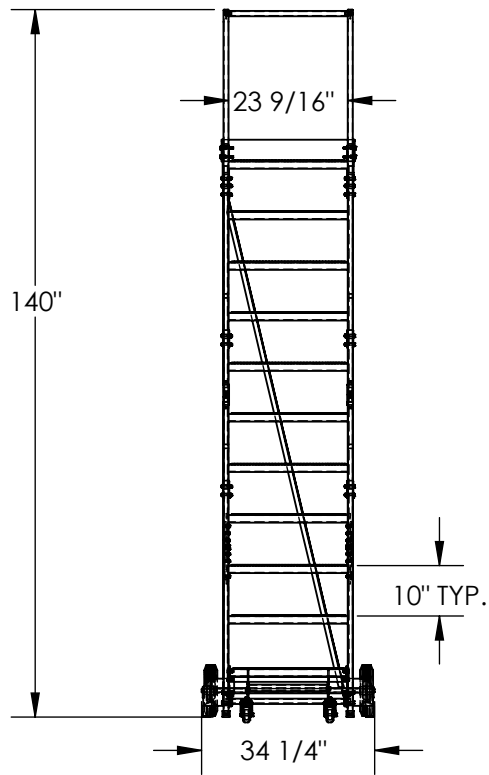


11-STEP ROLLING STEEL WAREHOUSE LADDER - LAD-11-14-P

APPROX WEIGHT: 287.7917 lbs.
 DOES NOT INCLUDE WEIGHT OF POWER OR PACKAGING!!!

*** ANY ADDITIONS, DELETIONS, OR OMISSIONS MUST BE CORRECTED ON THIS DRAWING AS THIS DRAWING WILL BE CONSIDERED ALL INCLUSIVE ***

ALL GRAPHICS PROVIDED ARE FOR REFERENCE ONLY. IF CERTAIN DIMENSIONS ARE CRITICAL PLEASE VERIFY THOSE DIMENSIONS WITH YOUR SALESPERSON



DIMENSION TOLERANCE ± 1/4"

STANDARD FEATURES

MODEL NUMBER IS LAD-11-14-P
 OVERALL WIDTH IS 34 1/4"
 USABLE WIDTH IS 23 9/16"
 OVERALL LENGTH IS 85 1/16"
 USABLE LENGTH IS 76 1/2"
 OVERALL HEIGHT IS 140"
 TOP STEP HEIGHT IS 110"
 STEP TYPE IS PERFORATED
 CLIMB ANGLE IS 58°
 STEP DEPTH IS 7"
 TOP STEP DEPTH IS 14"
 MAX CAPACITY IS 350 LBS
 WHEEL SIZE IS Ø10"
 FRONT WHEEL SIZE IS Ø 3"
 TOUGH BAKED IN POWDER COATED BLUE FINISH
 BOTTOM STEP HAS TOUGH BAKED IN
 POWDER COATED YELLOW FINISH

NOTE

- SOME ASSEMBLY REQUIRED
- TOOL TRAY SOLD SEPARATELY
- SAFETY GATE SOLD SEPARATELY

SPECIAL FEATURES

NONE

APPROVAL

I, THE UNDERSIGNED, AGREE THAT THE PRODUCT AS REPRESENTED SATISFIES DESIGN AND DIMENSION REQUIREMENTS. I ALSO ACKNOWLEDGE MY DUTY TO CONFIRM PRODUCT AND INSTALLATION COMPLIANCE WITH ALL APPLICABLE FEDERAL, STATE AND LOCAL REGULATIONS AND STANDARDS.

UNITS REQUIRING APPROVAL DRAWINGS OR MODIFIED ARE NON-RETURNABLE

[] As drawn [] As marked

Signed: _____ Date: _____

Printed Name: _____

LEAD TIME WILL START UPON RECEIPT OF SIGNED APPROVAL DRAWING

DISTRIBUTOR'S NAME:		P.O.#
VESTIL MANUFACTURING		X
DRAWN BY: BCN		W.O.#
DATE: 7/14/2016		X
REFERENCE: X	SCALE: 1:38	SALES: X
QUOTED LEAD TIME: X	QUOTE #	FILE NAME:
	X	44-007-133