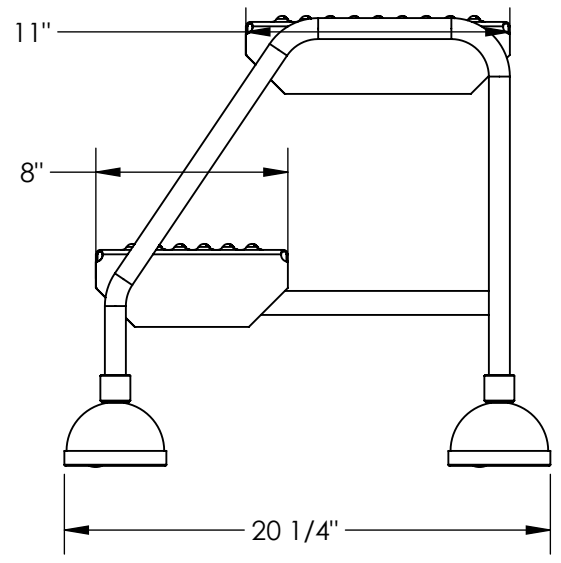
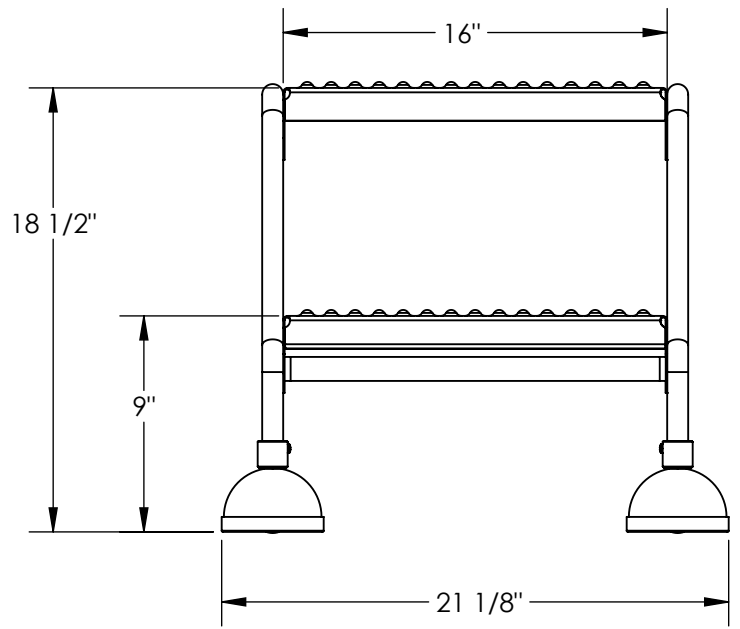


COMMERCIAL ROLLING LADDER, BLUE - LAD-2-B-P

APPROX WEIGHT: 26.74 lbs.
 DOES NOT INCLUDE WEIGHT OF POWER OR PACKAGING!!!

*** ANY ADDITIONS, DELETIONS, OR OMISSIONS MUST BE CORRECTED ON THIS DRAWING AS THIS DRAWING WILL BE CONSIDERED ALL INCLUSIVE ***
 ALL GRAPHICS PROVIDED ARE FOR REFERENCE ONLY. IF CERTAIN DIMENSIONS ARE CRITICAL PLEASE VERIFY THOSE DIMENSIONS WITH YOUR SALESPERSON



STANDARD FEATURES

- MODEL NUMBER IS LAD-2-B-P
- OVERALL WIDTH IS 21 1/8"
- USABLE WIDTH IS 16"
- OVERALL LENGTH IS 20 1/4"
- OVERALL HEIGHT IS 18 1/2"
- MAX CAPACITY IS 300 LBS
- STEP TYPE: FORMED STEEL STEPS WITH ANTI-SLIP TOP SURFACE
- BOTTOM STEP HEIGHT 9" ± 1/4"
- TOP STEP HEIGHT 18 1/2" ± 1/4"
- COLOR: POWDERCOATED BLUE
- SPRING LOADED CASTERS WITH STEEL DOME AND RUBBER PAD BOTTOMS
- WHEEL SIZE: Ø1 1/2"

SPECIAL FEATURES

NONE

DIMENSION TOLERANCE ± 1/4"

APPROVAL	I, THE UNDERSIGNED, AGREE THAT THE PRODUCT AS REPRESENTED SATISFIES DESIGN AND DIMENSION REQUIREMENTS. I ALSO ACKNOWLEDGE MY DUTY TO CONFIRM PRODUCT AND INSTALLATION COMPLIANCE WITH ALL APPLICABLE FEDERAL, STATE AND LOCAL REGULATIONS AND STANDARDS.	
	ALL SPECIAL UNITS ARE NON-RETURNABLE <input type="checkbox"/> As drawn <input type="checkbox"/> As marked	
Signed: _____		Date: _____
LEAD TIME WILL START UPON RECEIPT OF SIGNED APPROVAL DRAWING		

DISTRIBUTOR'S NAME:		P.O.#
VESTIL MANUFACTURING		X
DRAWN BY: X		W.O.#
DATE: XX/XX/XX		X
REFERENCE: X	SCALE: 1:8	SALES: X
QUOTED LEAD TIME: X	QUOTE #	FILE NAME:
	X	44-007-235