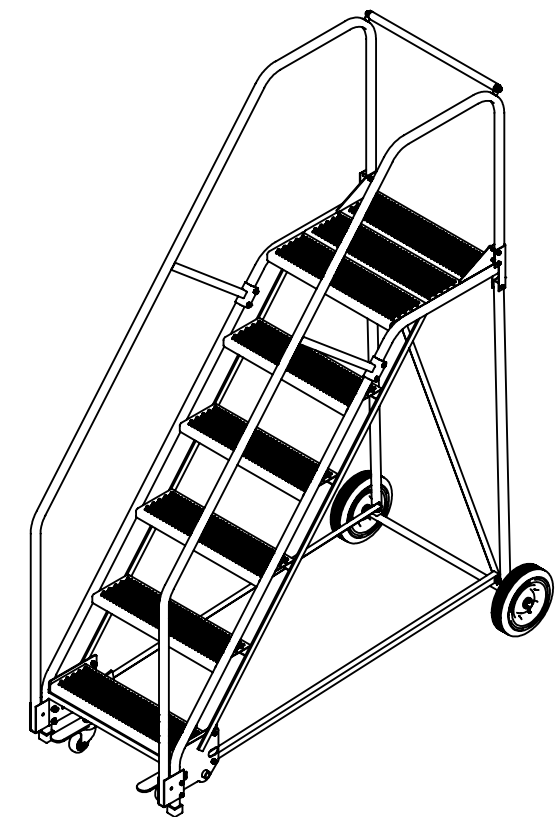
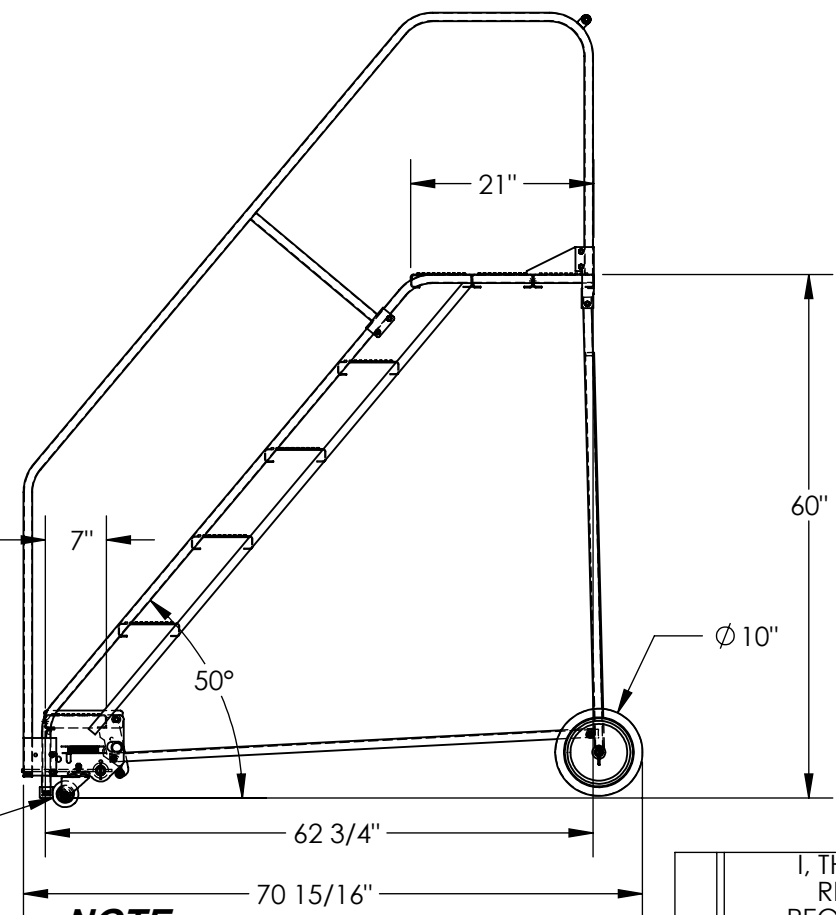
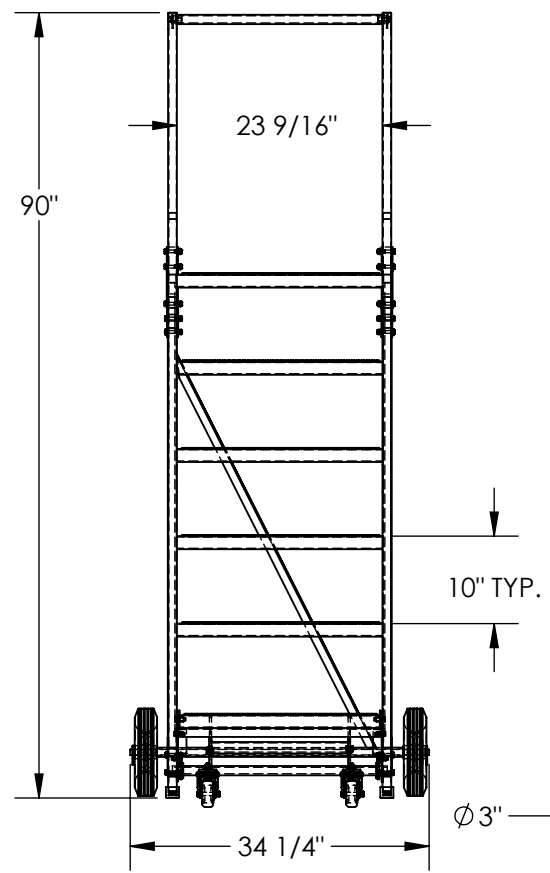


6-STEP ROLLING STEEL WAREHOUSE LADDER 50° - LAD-6-21-P-EZ

APPROX WEIGHT: 186.9150 lbs.
 DOES NOT INCLUDE WEIGHT OF POWER OR PACKAGING!!!

*** ANY ADDITIONS, DELETIONS, OR OMISSIONS MUST BE CORRECTED ON THIS DRAWING AS THIS DRAWING WILL BE CONSIDERED ALL INCLUSIVE ***
 ALL GRAPHICS PROVIDED ARE FOR REFERENCE ONLY. IF CERTAIN DIMENSIONS ARE CRITICAL PLEASE VERIFY THOSE DIMENSIONS WITH YOUR SALESPERSON



STANDARD FEATURES

- MODEL NUMBER IS LAD-6-21-P-EZ •
- OVERALL WIDTH IS 34 1/4" •
- USABLE WIDTH IS 23 9/16" •
- OVERALL LENGTH IS 70 15/16" •
- USABLE LENGTH IS 62 3/4" •
- OVERALL HEIGHT IS 90" •
- TOP STEP HEIGHT IS 60" •
- STEP TYPE IS PERFORATED •
- CLIMB ANGLE IS 50° •
- STEP DEPTH IS 7" •
- TOP STEP DEPTH IS 21" •
- MAX CAPACITY IS 350 LBS •
- WHEEL SIZE IS Ø10" •
- FRONT WHEEL SIZE IS Ø3" •
- TOUGH BAKED IN POWDER COATED BLUE FINISH •
- BOTTOM STEP IS TOUGH BAKED IN POWDER COATED YELLOW FINISH •

NOTE

- SOME ASSEMBLY REQUIRED
- TOOL TRAY SOLD SEPARATELY
- SAFETY GATE SOLD SEPARATELY

SPECIAL FEATURES

NONE

DIMENSION TOLERANCE ± 1/4"

I, THE UNDERSIGNED, AGREE THAT THE PRODUCT AS REPRESENTED SATISFIES DESIGN AND DIMENSION REQUIREMENTS. I ALSO ACKNOWLEDGE MY DUTY TO CONFIRM PRODUCT AND INSTALLATION COMPLIANCE WITH ALL APPLICABLE FEDERAL, STATE AND LOCAL REGULATIONS AND STANDARDS.

UNITS REQUIRING APPROVAL DRAWINGS OR MODIFIED ARE NON-RETURNABLE

[] As drawn [] As marked

Signed: _____ Date: _____

LEAD TIME WILL START UPON RECEIPT OF SIGNED APPROVAL DRAWING

APPROVAL

DISTRIBUTOR'S NAME:		P.O.#
VESTIL MANUFACTURING		X
DRAWN BY: B.NOTHNAGEL		W.O.#
DATE: 9/24/2015		X
REFERENCE: X	SCALE: 1:22	SALES: X
QUOTED LEAD TIME: X	QUOTE # X	FILE NAME: 44-007-587