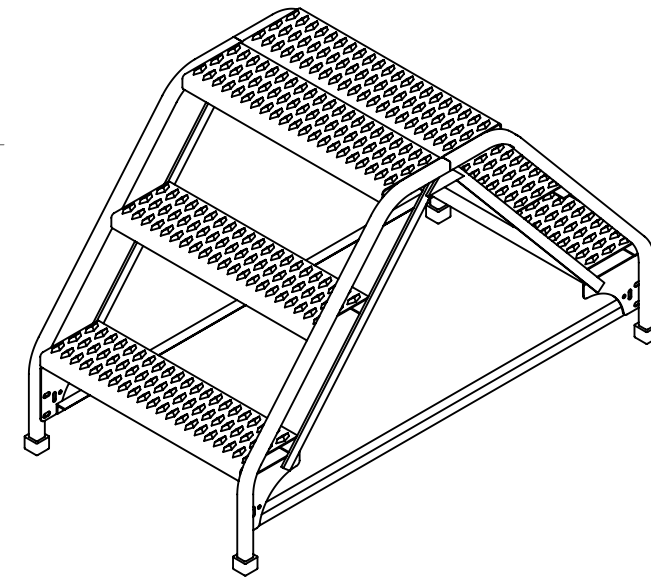
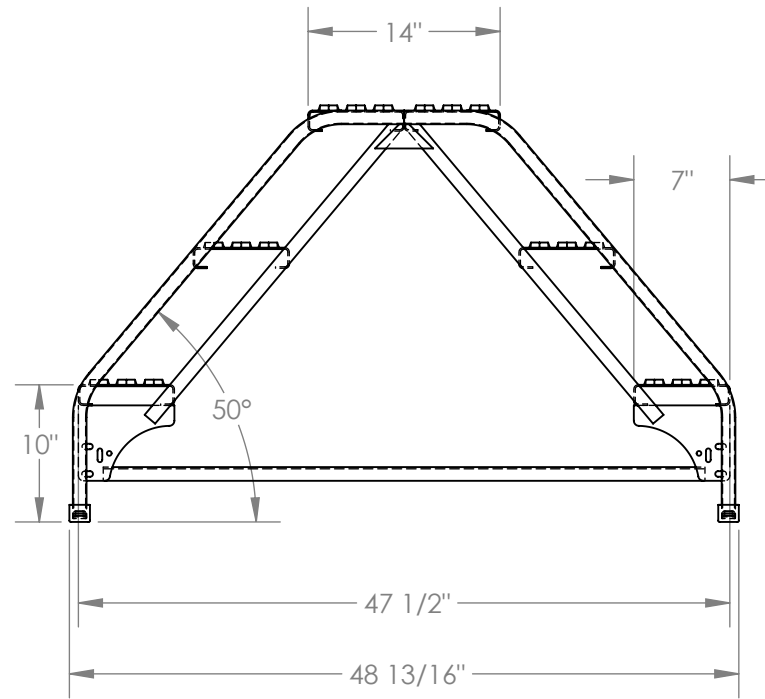
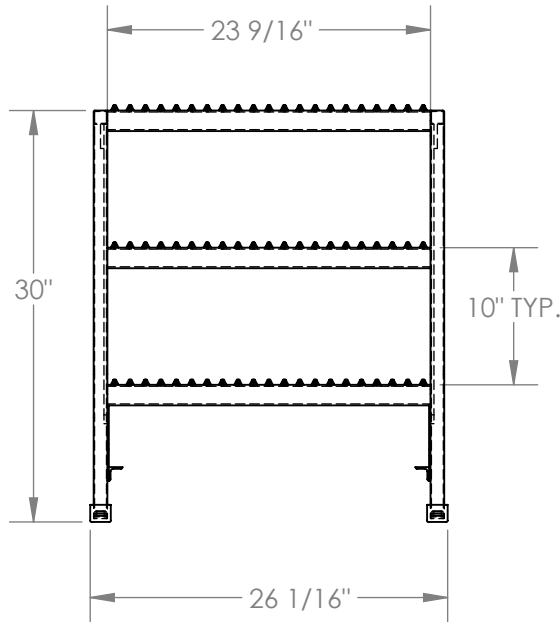


# DOUBLE SIDED STEP LADDER, 3-STEP, GRIP STRUT - LAD-DD-26-3-G

APPROX WEIGHT: 79.56 lbs.  
 DOES NOT INCLUDE WEIGHT OF POWER OR PACKAGING!!!

\*\*\* ANY ADDITIONS, DELETIONS, OR OMISSIONS MUST BE CORRECTED ON THIS DRAWING AS THIS DRAWING WILL BE CONSIDERED ALL INCLUSIVE \*\*\*

ALL GRAPHICS PROVIDED ARE FOR REFERENCE ONLY. IF CERTAIN DIMENSIONS ARE CRITICAL PLEASE VERIFY THOSE DIMENSIONS WITH YOUR SALESPERSON



## STANDARD FEATURES

MODEL NUMBER IS LAD-DD-26-3-G  
 OVERALL WIDTH IS 26 1/16"  
 USABLE WIDTH IS 23 9/16"  
 OVERALL LENGTH IS 48 13/16"  
 USABLE LENGTH IS 47 1/2"  
 OVERALL HEIGHT IS 30"  
 STEP DEPTH IS 7"  
 TOP PLATFORM DEPTH IS 14"  
 ANGLE OF INCLINE IS 50°  
 STEP STYLE IS GRIP STRUT  
 COLOR IS VESTIL BLUE  
 MAX CAPACITY IS 350 LBS

## NOTE

NONE

## SPECIAL FEATURES

NONE

DIMENSION TOLERANCE ± 1/4"

APPROVAL

I, THE UNDERSIGNED, AGREE THAT THE PRODUCT AS REPRESENTED SATISFIES DESIGN AND DIMENSION REQUIREMENTS. I ALSO ACKNOWLEDGE MY DUTY TO CONFIRM PRODUCT AND INSTALLATION COMPLIANCE WITH ALL APPLICABLE FEDERAL, STATE AND LOCAL REGULATIONS AND STANDARDS.

**ALL SPECIAL UNITS ARE NON-RETURNABLE**

[ ] As drawn [ ] As marked

Signed: \_\_\_\_\_ Date: \_\_\_\_\_

LEAD TIME WILL START UPON RECEIPT OF SIGNED APPROVAL DRAWING

FOR INTERNAL USE ONLY PROJECT SIGN OFF	
SALES	
ENG.	
FAB.	
POWER	

DISTRIBUTOR'S NAME:		P.O.#
VESTIL MANUFACTURING		X
DRAWN BY: B.NOTHNAGEL		DATE: 06/09/2014
REFERENCE: X		SCALE: 1:14
QUOTED LEAD TIME: X		QUOTE # X
		FILE NAME: 44-007-511