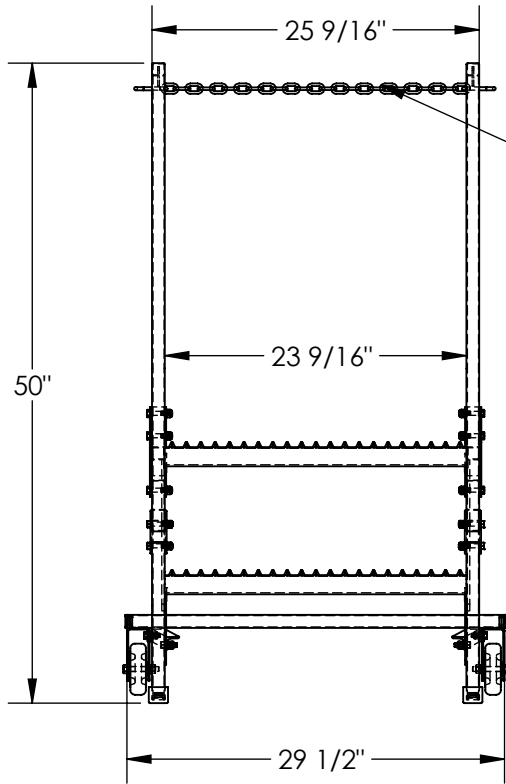


# MAINTENANCE LADDER, GRIP STRUT - LAD-MM-2-G-YL

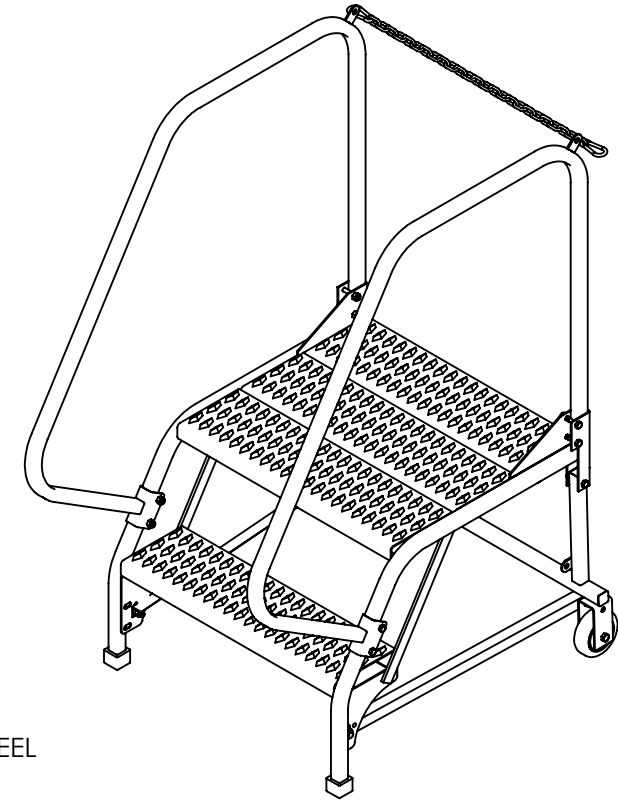
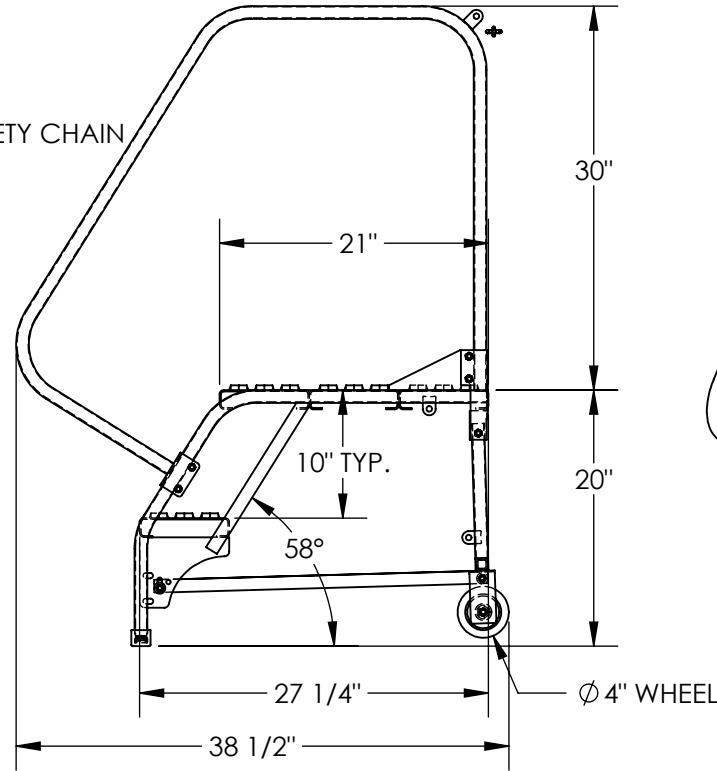
APPROX WEIGHT: 76.25 lbs.  
 DOES NOT INCLUDE WEIGHT OF POWER OR PACKAGING!!!

\*\*\* ANY ADDITIONS, DELETIONS, OR OMISSIONS MUST BE CORRECTED ON THIS DRAWING AS THIS DRAWING WILL BE CONSIDERED ALL INCLUSIVE \*\*\*

ALL GRAPHICS PROVIDED ARE FOR REFERENCE ONLY. IF CERTAIN DIMENSIONS ARE CRITICAL PLEASE VERIFY THOSE DIMENSIONS WITH YOUR SALESPERSON



SAFETY CHAIN



DIMENSION TOLERANCE ± 1/4"

## STANDARD FEATURES

## SPECIAL FEATURES

MODEL NUMBER IS LAD-MM-2-G-YL  
 OVERALL WIDTH IS 29 1/2"  
 USABLE WIDTH IS 23 9/16"  
 OVERALL LENGTH IS 38 1/2"  
 USABLE LENGTH IS 27 1/4"  
 OVERALL HEIGHT IS 50"  
 PLATFORM HEIGHT IS 20"  
 TOUGH BAKED IN POWDER COATED YELLOW FINISH  
 STEP TYPE: GRIP STRUT  
 CLIMB ANGLE: 58°  
 STEP DIM. 24" X 7"  
 MAX CAPACITY IS 350 LBS

NONE

### NOTE

-SOME ASSEMBLY REQUIRED  
 -TOOL TRAY SOLD SEPARATELY

<b>APPROVAL</b>	I, THE UNDERSIGNED, AGREE THAT THE PRODUCT AS REPRESENTED SATISFIES DESIGN AND DIMENSION REQUIREMENTS. I ALSO ACKNOWLEDGE MY DUTY TO CONFIRM PRODUCT AND INSTALLATION COMPLIANCE WITH ALL APPLICABLE FEDERAL, STATE AND LOCAL REGULATIONS AND STANDARDS.	
	<b>ANY MODIFIED UNITS ARE NON-RETURNABLE</b>	
	[ ] As drawn	[ ] As marked
	Signed: _____	Date: _____
	Printed Name: _____	
<b>LEAD TIME WILL START UPON RECEIPT OF SIGNED APPROVAL DRAWING</b>		

FOR INTERNAL USE ONLY PROJECT SIGN OFF	
SALES	
ENG.	
FAB.	
POWER	

DISTRIBUTOR'S NAME:		P.O.#
VESTIL MANUFACTURING		X
DRAWN BY: JWW	DATE: 5/18/2020	W.O.#
REFERENCE: X	SCALE: 1:15	X
QUOTED LEAD TIME: X	QUOTE #	FILE NAME:
	X	44-007-368-001