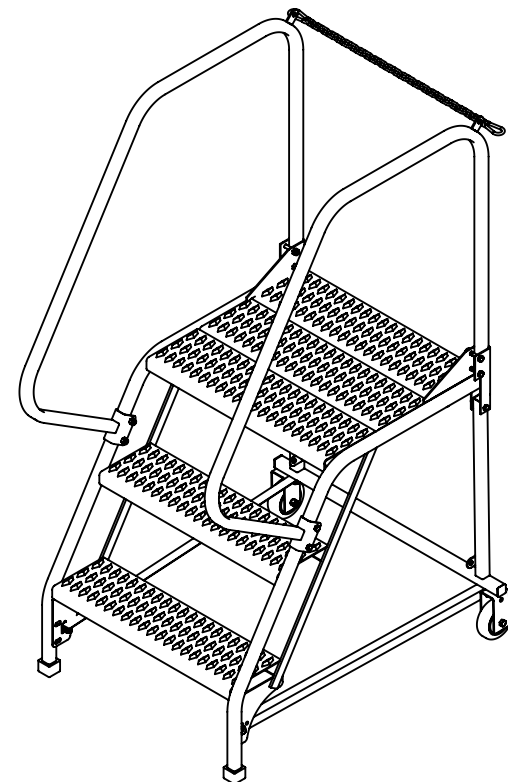
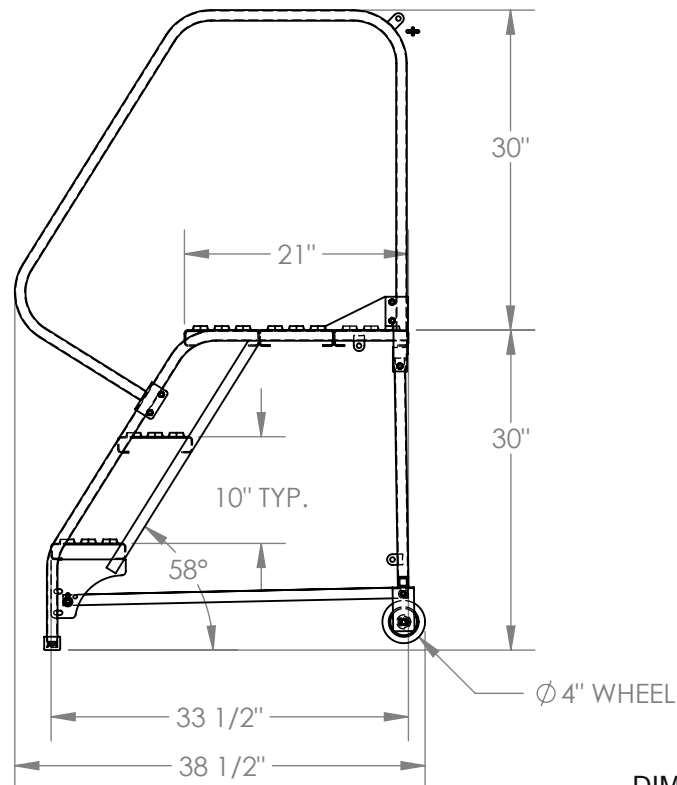
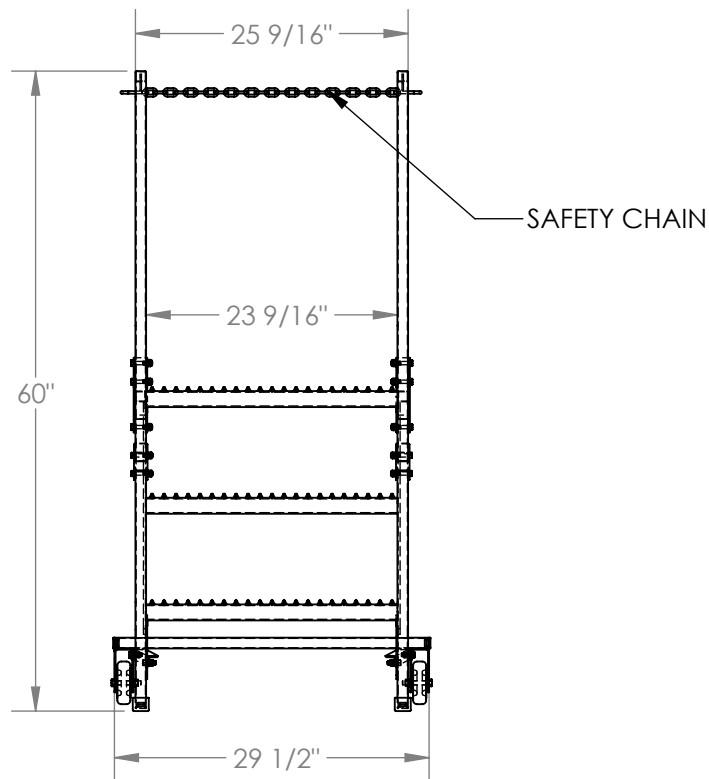


# MAINTENANCE LADDER, GRIP STRUT - LAD-MM-3-G

APPROX WEIGHT: 83.22 lbs.  
DOES NOT INCLUDE WEIGHT OF POWER OR PACKAGING!!!

\*\*\* ANY ADDITIONS, DELETIONS, OR OMISSIONS MUST BE CORRECTED ON THIS DRAWING AS THIS DRAWING WILL BE CONSIDERED ALL INCLUSIVE \*\*\*  
ALL GRAPHICS PROVIDED ARE FOR REFERENCE ONLY. IF CERTAIN DIMENSIONS ARE CRITICAL PLEASE VERIFY THOSE DIMENSIONS WITH YOUR SALESPERSON



DIMENSION TOLERANCE ± 1/4"

## STANDARD FEATURES

MODEL NUMBER IS LAD-MM-3-G  
OVERALL WIDTH IS 29 1/2"  
USABLE WIDTH IS 23 9/16"  
OVERALL LENGTH IS 38 1/2"  
USABLE LENGTH IS 33 1/2"  
OVERALL HEIGHT IS 60"  
PLATFORM HEIGHT IS 30"  
COLOR: VESTIL BLUE  
STEP TYPE: PERFORATED STEPS  
CLIMB ANGLE: 58°  
STEP DIM. 24" X 7"  
MAX CAPACITY IS 350 LBS

## SPECIAL FEATURES

NONE

### NOTE

-SOME ASSEMBLY REQUIRED  
-TOOL TRAY SOLD SEPARATELY

APPROVAL

I, THE UNDERSIGNED, AGREE THAT THE PRODUCT AS REPRESENTED SATISFIES DESIGN AND DIMENSION REQUIREMENTS. I ALSO ACKNOWLEDGE MY DUTY TO CONFIRM PRODUCT AND INSTALLATION COMPLIANCE WITH ALL APPLICABLE FEDERAL, STATE AND LOCAL REGULATIONS AND STANDARDS.  
**ALL SPECIAL UNITS ARE NON-RETURNABLE**  
[ ] As drawn [ ] As marked

Signed: \_\_\_\_\_ Date: \_\_\_\_\_

LEAD TIME WILL START UPON RECEIPT OF SIGNED APPROVAL DRAWING

FOR INTERNAL USE ONLY PROJECT SIGN OFF	
SALES	
ENG.	
FAB.	
POWER	

DISTRIBUTOR'S NAME:		P.O.#
VESTIL MANUFACTURING		X
DRAWN BY:	DATE:	W.O.#
B.NOETHNAGEL	8/28/2015	X
REFERENCE:	SCALE:	SALES:
X	1:18	X
QUOTED LEAD TIME:	QUOTE #	FILE NAME:
X	X	44-007-370