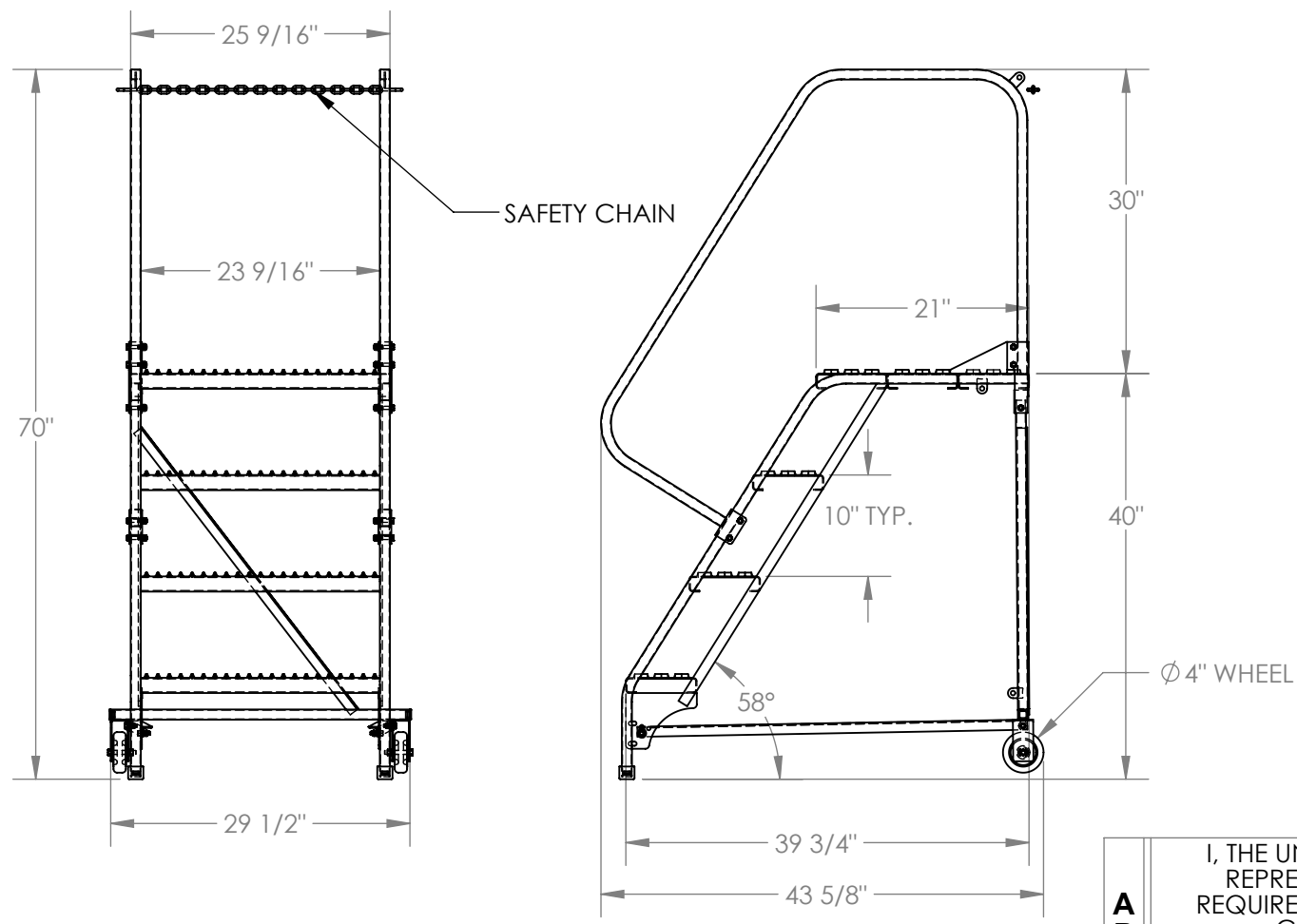


# MAINTENANCE LADDER, GRIP STRUT - LAD-MM-4-G

APPROX WEIGHT: 100.79 lbs.  
 DOES NOT INCLUDE WEIGHT OF POWER OR PACKAGING!!!

\*\*\* ANY ADDITIONS, DELETIONS, OR OMISSIONS MUST BE CORRECTED ON THIS DRAWING AS THIS DRAWING WILL BE CONSIDERED ALL INCLUSIVE \*\*\*  
 ALL GRAPHICS PROVIDED ARE FOR REFERENCE ONLY. IF CERTAIN DIMENSIONS ARE CRITICAL PLEASE VERIFY THOSE DIMENSIONS WITH YOUR SALESPERSON



DIMENSION TOLERANCE ± 1/4"

## STANDARD FEATURES

- MODEL NUMBER IS LAD-MM-4-G
- OVERALL WIDTH IS 29 1/2"
- USABLE WIDTH IS 23 9/16"
- OVERALL LENGTH IS 43 5/8"
- USABLE LENGTH IS 39 3/4"
- OVERALL HEIGHT IS 70"
- PLATFORM HEIGHT IS 40"
- COLOR: VESTIL BLUE
- STEP TYPE: GRIP STRUT STEPS
- CLIMB ANGLE: 58°
- STEP DIM. 24" X 7"
- MAX CAPACITY IS 350 LBS

## SPECIAL FEATURES

NONE

### NOTE

- SOME ASSEMBLY REQUIRED
- TOOL TRAY SOLD SEPARATELY

**APPROVAL**

I, THE UNDERSIGNED, AGREE THAT THE PRODUCT AS REPRESENTED SATISFIES DESIGN AND DIMENSION REQUIREMENTS. I ALSO ACKNOWLEDGE MY DUTY TO CONFIRM PRODUCT AND INSTALLATION COMPLIANCE WITH ALL APPLICABLE FEDERAL, STATE AND LOCAL REGULATIONS AND STANDARDS.

**ALL SPECIAL UNITS ARE NON-RETURNABLE**  
 [ ] As drawn [ ] As marked

Signed: \_\_\_\_\_ Date: \_\_\_\_\_

LEAD TIME WILL START UPON RECEIPT OF SIGNED APPROVAL DRAWING

|   |  |
|---|--|
| FOR INTERNAL USE ONLY<br>PROJECT SIGN OFF |  |
| SALES                                     |  |
| ENG.                                      |  |
| FAB.                                      |  |
| POWER                                     |  |

|                      |           |            |
|----------------------|-----------|------------|
| DISTRIBUTOR'S NAME:  |           | P.O.#      |
| VESTIL MANUFACTURING |           | X          |
| DRAWN BY:            | DATE:     | W.O.#      |
| B.NOETHNAGEL         | 8/28/2015 | X          |
| REFERENCE:           | SCALE:    | SALES:     |
| X                    | 1:18      | X          |
| QUOTED LEAD TIME:    | QUOTE #   | FILE NAME: |
| X                    | X         | 44-007-174 |