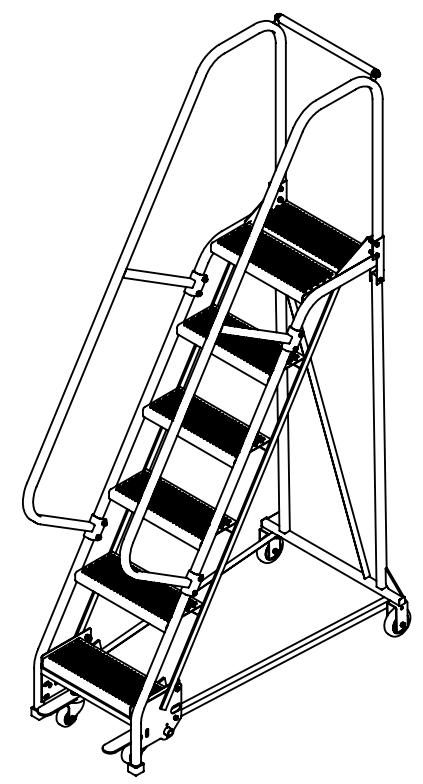
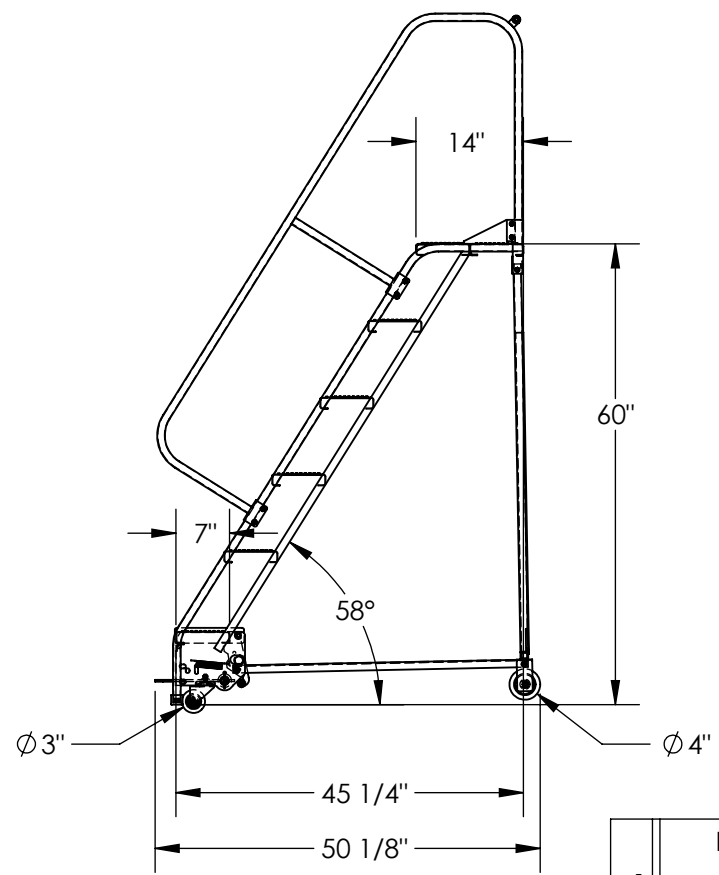
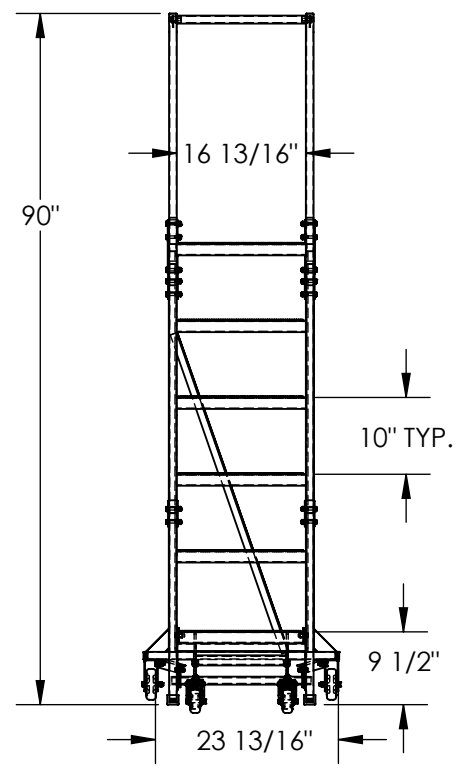


STANDARD SLOPE LADDER, 6-STEP - LAD-PW-18-6-P

APPROX WEIGHT: 132.96 lbs.
 DOES NOT INCLUDE WEIGHT OF POWER OR PACKAGING!!!

*** ANY ADDITIONS, DELETIONS, OR OMISSIONS MUST BE CORRECTED ON THIS DRAWING AS THIS DRAWING WILL BE CONSIDERED ALL INCLUSIVE ***
 ALL GRAPHICS PROVIDED ARE FOR REFERENCE ONLY. IF CERTAIN DIMENSIONS ARE CRITICAL PLEASE VERIFY THOSE DIMENSIONS WITH YOUR SALESPERSON



DIMENSION TOLERANCE ± 1/4"

STANDARD FEATURES

- MODEL NUMBER IS LAD-PW-18-6-P
- OVERALL WIDTH IS 23 13/16"
- USABLE WIDTH IS 16 13/16"
- OVERALL LENGTH IS 50 1/8"
- USABLE LENGTH IS 45 1/4"
- OVERALL HEIGHT IS 90"
- PLATFORM HEIGHT IS 60"
- STEP TYPE IS PERFORATED
- CLIMB ANGLE IS 58°
- STEP DEPTH IS 7"
- PLATFORM DEPTH IS 14"
- COLOR IS TOUGH BAKED IN POWDER COATED BLUE FINISH
- BOTTOM STEP TOUGH BAKED IN POWDER COATED YELLOW FINISH
- MAX CAPACITY IS 350 LBS
- FRONT WHEEL IS SWIVEL, SIZE IS Ø 3"
- REAR WHEEL IS RIGID, SIZE IS Ø 4"

NOTE

SOME ASSEMBLY REQUIRED
 TOOL TRAY SOLD SEPARATELY

SPECIAL FEATURES

NONE

APPROVAL

I, THE UNDERSIGNED, AGREE THAT THE PRODUCT AS REPRESENTED SATISFIES DESIGN AND DIMENSION REQUIREMENTS. I ALSO ACKNOWLEDGE MY DUTY TO CONFIRM PRODUCT AND INSTALLATION COMPLIANCE WITH ALL APPLICABLE FEDERAL, STATE AND LOCAL REGULATIONS AND STANDARDS.
UNITS REQUIRING APPROVAL DRAWINGS OR MODIFIED ARE NON-RETURNABLE
 As drawn As marked

Signed: _____ Date: _____

Printed Name: _____

LEAD TIME WILL START UPON RECEIPT OF SIGNED APPROVAL DRAWING

| | | |
|-----------------------|--|-----------------------|
| DISTRIBUTOR'S NAME: | | P.O.# |
| VESTIL MANUFACTURING | | X |
| DRAWN BY: B.NOTHNAGEL | | DATE: 4/22/2014 |
| REFERENCE: X | | SCALE: 1:25 |
| QUOTED LEAD TIME: X | | QUOTE # X |
| | | SALES: X |
| | | FILE NAME: 44-007-465 |