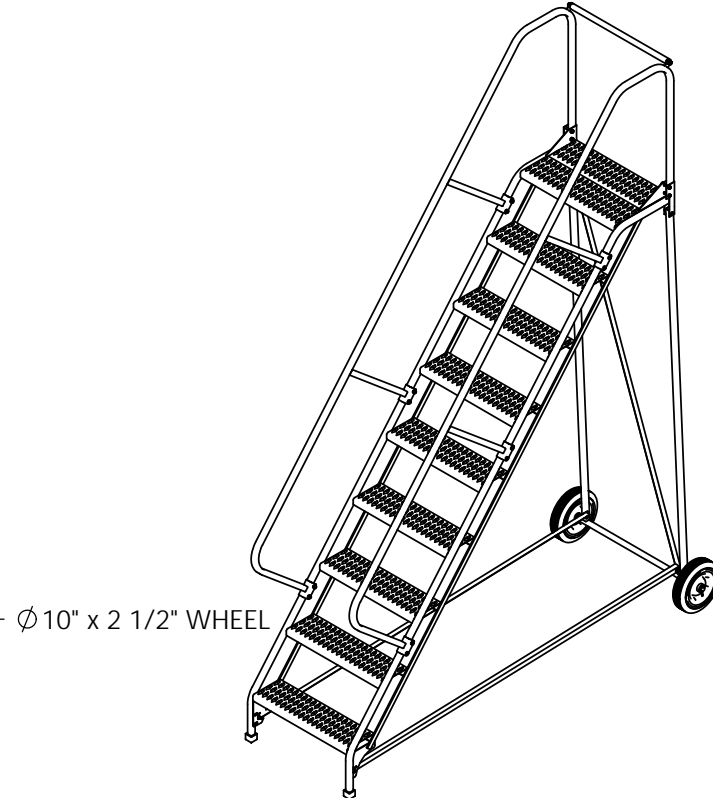
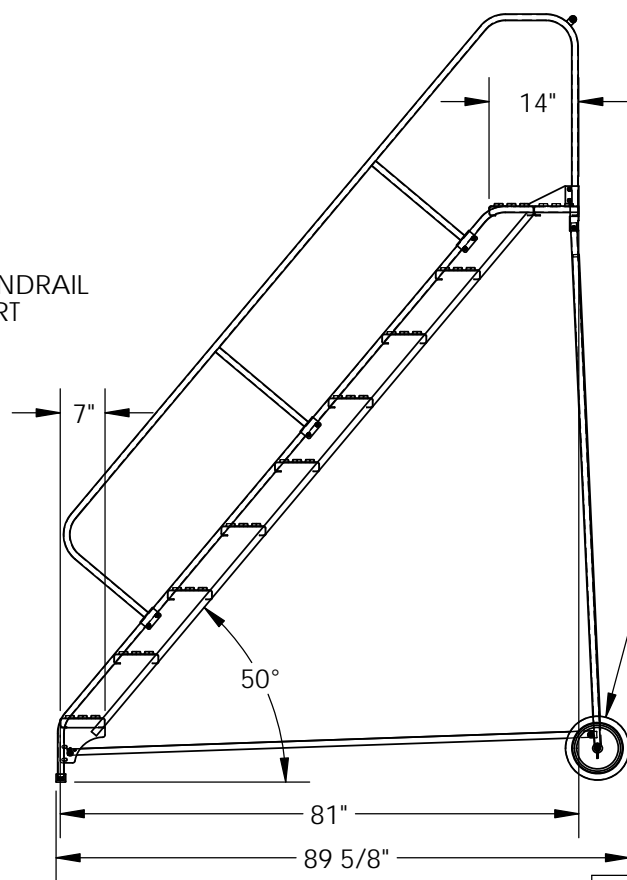
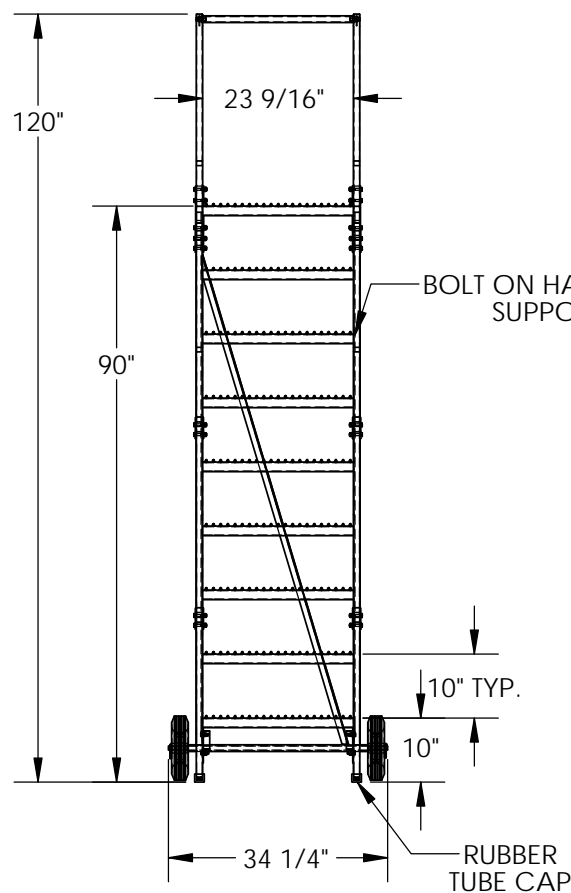


# 9-STEP, 50° ROLL-A-FOLD LADDER, GRIP STRUT - LAD-RAF-9-24-G-EZ

APPROX WEIGHT: 275.08 lbs.  
DOES NOT INCLUDE WEIGHT OF POWER OR PACKAGING!!!

\*\*\* ANY ADDITIONS, DELETIONS, OR OMISSIONS MUST BE CORRECTED ON THIS DRAWING AS THIS DRAWING WILL BE CONSIDERED ALL INCLUSIVE \*\*\*

ALL GRAPHICS PROVIDED ARE FOR REFERENCE ONLY. IF CERTAIN DIMENSIONS ARE CRITICAL PLEASE VERIFY THOSE DIMENSIONS WITH YOUR SALESPERSON



DIMENSION TOLERANCE ± 1/4"

## STANDARD FEATURES

MODEL NUMBER IS LAD-RAF-9-24-G-EZ  
OVERALL WIDTH IS 34 1/4"  
USABLE WIDTH IS 23 9/16"  
OVERALL LENGTH IS 89 5/8"  
USABLE LENGTH IS 81"  
OVERALL HEIGHT IS 120"  
PLATFORM HEIGHT IS 90"  
STEP DEPTH IS 7"  
PLATFORM DEPTH IS 14"  
CLIMB ANGLE IS 50°  
COLOR IS VESTIL BLUE  
STEP STYLE IS GRIP STRUT  
MAX CAPACITY IS 350 LBS  
FOLDED DIMENSION: 144" X 36" X 30" (NOT SHOWN)

## NOTE

SOME ASSEMBLY REQUIRED  
TOOL TRAY SOLD SEPARATELY

## SPECIAL FEATURES

NONE

APPROVAL

I, THE UNDERSIGNED, AGREE THAT THE PRODUCT AS REPRESENTED SATISFIES DESIGN AND DIMENSION REQUIREMENTS. I ALSO ACKNOWLEDGE MY DUTY TO CONFIRM PRODUCT AND INSTALLATION COMPLIANCE WITH ALL APPLICABLE FEDERAL, STATE AND LOCAL REGULATIONS AND STANDARDS.

**ANY MODIFIED UNITS ARE NON-RETURNABLE**

As drawn       As marked

Signed: \_\_\_\_\_ Date: \_\_\_\_\_

Printed Name: \_\_\_\_\_

LEAD TIME WILL START UPON RECEIPT OF SIGNED APPROVAL DRAWING

FOR INTERNAL USE ONLY PROJECT SIGN OFF	
SALES	
ENG.	
FAB.	
POWER	

DISTRIBUTOR'S NAME:		P.O.#
VESTIL MANUFACTURING		X
DRAWN BY:	DATE:	W.O.#
B.NOTHNAGEL	8/17/2015	X
REFERENCE:	SCALE:	SALES:
X	1:30	X
QUOTED LEAD TIME:	QUOTE #	FILE NAME:
X	X	44-007-198