



Vestil Manufacturing Corp.

2999 North Wayne Street, P.O. Box 507, Angola, IN 46703
 Telephone: (260) 665-7586 -OR- Toll Free (800) 348-0868
 Fax: (260) 665-1339

www.vestil.com

info@vestil.com

LAD-RAF Series Mobile Ladder Stands



Receiving instructions

After delivery, remove the packaging from the product. Inspect the product closely to determine whether it sustained damage during transport. If damage is discovered, record a complete description of it on the bill of lading. If the product is undamaged, discard the packaging.

NOTE: The end-user is solely responsible for confirming that product design, use, and maintenance comply with laws, regulations, codes, and mandatory standards applied where the product is used.

Technical Service & Replacement Parts

For answers to questions not addressed in these instructions and to order replacement parts, labels, and accessories, call our Technical Service and Parts Department at (260) 665-7586. The department can also be contacted online at <https://www.vestil.com/page-parts-request.php>

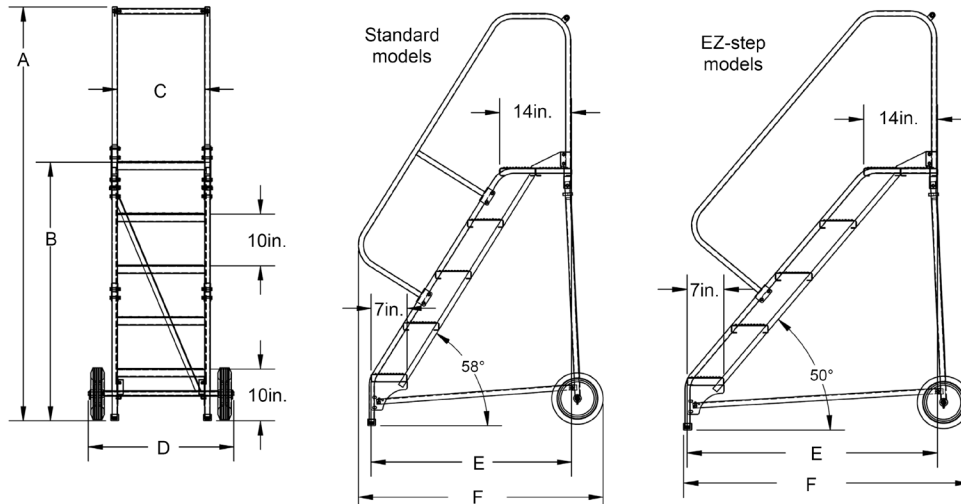
Electronic Copies of Instruction Manuals

Additional copies of this instruction manual may be downloaded from <https://www.vestil.com/page-manuals.php>.

Table of Contents		Table of Figures	
	Page		Page
Specifications.....	2	Fig. 1: LAD-RAF-4-P, -G, -P-EZ, & -G-EZ Exploded View.....	4
Signal Words.....	3	Fig. 2: LAD-RAF-5-P, -G, -P-EZ, & -G-EZ Exploded View.....	5
Safety Instructions.....	3	Fig. 3: LAD-RAF-6-P, -G, -P-EZ, & -G-EZ Exploded View.....	6
Assembly Instructions.....	13-16	Fig. 4: LAD-RAF-7-P, -G, -P-EZ, & -G-EZ Exploded View.....	7
Record of Satisfactory Condition	17	Fig. 5: LAD-RAF-8-24-P, -G, -P-EZ, & -G-EZ Exploded View....	8
National Standards.....	17	Fig. 6: LAD-RAF-9-24-P, -G, -P-EZ, & -G-EZ Exploded View.....	9
Using the Ladder.....	17	Fig. 7: LAD-RAF-10-24-P, -G, -P-EZ, & -G-EZ Exploded View...	10
Inspections & Maintenance.....	17-18	Fig. 8: LAD-RAF-11-24-P, -G, -P-EZ, & -G-EZ Exploded View...	11
Labeling Diagram.....	18	Fig. 9: LAD-RAF-12-24-P, -G, -P-EZ, & -G-EZ Exploded View...	12-13
Limited Warranty.....	19		

SPECIFICATIONS





Documents that provide specifications for LAD-RAF series mobile ladder stands are available online to anyone who visits Vestil's website. Specifications include dimensions, net weight, and capacity information. To access the appropriate specifications document, navigate to the LAD-RAF webpage at <https://www.vestil.com/product.php?FID=605>. Scroll the page to the entry for the ladder you purchased. Click the button in the "PDF" column that looks like a pencil inside a blue box. A PDF file will open. This file is the specifications document. Print a copy of the document and keep it with your copy of this manual. The following specifications are provided for convenience only. Refer to your printed specifications document.



Model	Number of steps	A: Overall height	B: Platform height	C: Usable width	D: Overall width	E: Usable length	F: Overall length	Step slope	Capacity	Net Weight
LAD-RAF-4-P	4	70 in.	40 in.	16 ¹³ / ₁₆ in.	28 in.	32 ³ / ₄ in.	41 ¹ / ₂ in.	58°	350 lb.	89 lb.
LAD-RAF-5-P	5	80 in.	50 in.	16 ¹³ / ₁₆ in.	28 in.	39 in.	47 ⁵ / ₈ in.	58°	350 lb.	105.4 lb.
LAD-RAF-6-P	6	90 in.	60 in.	16 ¹³ / ₁₆ in.	28 in.	45 ¹ / ₄ in.	52 ³ / ₄ in.	58°	350 lb.	119 lb.
LAD-RAF-7-P	7	100 in.	70 in.	16 ¹³ / ₁₆ in.	28 in.	51 ¹ / ₂ in.	60 ¹ / ₈ in.	58°	350 lb.	132.4 lb.
LAD-RAF-8-24-P	8	110 in.	80 in.	23 ⁹ / ₁₆ in.	34 ¹ / ₄ in.	57 ³ / ₄ in.	66 ³ / ₈ in.	58°	350 lb.	172.1 lb.
LAD-RAF-9-24-P	9	120 in.	90 in.	23 ⁹ / ₁₆ in.	34 ¹ / ₄ in.	63 ¹³ / ₁₆ in.	72 ⁹ / ₁₆ in.	58°	350 lb.	188.1 lb.
LAD-RAF-10-24-P	10	130 in.	100 in.	23 ⁹ / ₁₆ in.	34 ¹ / ₄ in.	70 ¹ / ₁₆ in.	78 ⁷ / ₈ in.	58°	350 lb.	204 lb.
LAD-RAF-11-24-P	11	140 in.	110 in.	23 ⁹ / ₁₆ in.	34 ¹ / ₄ in.	76 ⁵ / ₁₆ in.	85 ¹ / ₈ in.	58°	350 lb.	224 lb.
LAD-RAF-12-24-P	12	156 in.	120 in.	23 ⁹ / ₁₆ in.	34 ¹ / ₄ in.	82 ⁹ / ₁₆ in.	91 in.	58°	350 lb.	247.2 lb.
LAD-RAF-4-G	4	70 in.	40 in.	16 ¹³ / ₁₆ in.	28 in.	32 ³ / ₄ in.	41 ¹ / ₂ in.	58°	350 lb.	90 lb.
LAD-RAF-5-G	5	80 in.	50 in.	16 ¹³ / ₁₆ in.	28 in.	39 in.	47 ⁵ / ₈ in.	58°	350 lb.	106.4 lb.
LAD-RAF-6-G	6	90 in.	60 in.	16 ¹³ / ₁₆ in.	28 in.	45 ¹ / ₄ in.	52 ³ / ₄ in.	58°	350 lb.	120.2 lb.
LAD-RAF-7-G	7	100 in.	70 in.	16 ¹³ / ₁₆ in.	28 in.	51 ¹ / ₂ in.	60 ¹ / ₈ in.	58°	350 lb.	133.8 lb.
LAD-RAF-8-24-G	8	110 in.	80 in.	23 ⁹ / ₁₆ in.	34 ¹ / ₄ in.	57 ³ / ₄ in.	66 ³ / ₈ in.	58°	350 lb.	174.3 lb.
LAD-RAF-9-24-G	9	120 in.	90 in.	23 ⁹ / ₁₆ in.	34 ¹ / ₄ in.	63 ¹³ / ₁₆ in.	72 ⁹ / ₁₆ in.	58°	350 lb.	190.5 lb.
LAD-RAF-10-24-G	10	130 in.	100 in.	23 ⁹ / ₁₆ in.	34 ¹ / ₄ in.	70 ¹ / ₁₆ in.	78 ⁷ / ₈ in.	58°	350 lb.	206.7 lb.
LAD-RAF-11-24-G	11	140 in.	110 in.	23 ⁹ / ₁₆ in.	34 ¹ / ₄ in.	76 ⁵ / ₁₆ in.	85 ¹ / ₈ in.	58°	350 lb.	226.7 lb.
LAD-RAF-12-24-G	12	156 in.	120 in.	23 ⁹ / ₁₆ in.	34 ¹ / ₄ in.	82 ⁹ / ₁₆ in.	91 in.	58°	350 lb.	250.4
LAD-RAF-4-P-EZ	4	70 in.	40 in.	16 ¹³ / ₁₆ in.	28 in.	39 ¹ / ₈ in.	45 ¹³ / ₁₆ in.	50°	350 lb.	91 lb.
LAD-RAF-5-P-EZ	5	80 in.	50 in.	16 ¹³ / ₁₆ in.	28 in.	47 ¹ / ₂ in.	54 ⁵ / ₁₆ in.	50°	350 lb.	105.3 lb.
LAD-RAF-6-P-EZ	6	90 in.	60 in.	16 ¹³ / ₁₆ in.	28 in.	55 ⁷ / ₈ in.	64 ⁵ / ₈ in.	50°	350 lb.	123.2 lb.
LAD-RAF-7-P-EZ	7	100 in.	70 in.	16 ¹³ / ₁₆ in.	28 in.	64 ¹ / ₄ in.	70 ¹³ / ₁₆ in.	50°	350 lb.	137.1 lb.
LAD-RAF-8-24-P-EZ	8	110 in.	80 in.	23 ⁹ / ₁₆ in.	34 ¹ / ₄ in.	72 ⁵ / ₈ in.	77 in.	50°	350 lb.	174.6 lb.
LAD-RAF-9-24-P-EZ	9	120 in.	90 in.	23 ⁹ / ₁₆ in.	34 ¹ / ₄ in.	81 in.	89 ⁵ / ₈ in.	50°	350 lb.	195.2 lb.
LAD-RAF-10-24-P-EZ	10	130 in.	100 in.	23 ⁹ / ₁₆ in.	34 ¹ / ₄ in.	89 ⁷ / ₁₆ in.	95 ¹³ / ₁₆ in.	50°	350 lb.	211.7 lb.
LAD-RAF-11-24-P-EZ	11	140 in.	110 in.	23 ⁹ / ₁₆ in.	34 ¹ / ₄ in.	97 ¹³ / ₁₆ in.	102 ³ / ₄ in.	50°	350 lb.	232 lb.
LAD-RAF-12-24-P-EZ	12	156 in.	120 in.	23 ⁹ / ₁₆ in.	34 ¹ / ₄ in.	106 ³ / ₁₆ in.	113 ⁵ / ₁₆ in.	50°	350 lb.	256.6 lb.
LAD-RAF-4-G-EZ	4	70 in.	40 in.	16 ¹³ / ₁₆ in.	28 in.	39 ¹ / ₈ in.	45 ¹³ / ₁₆ in.	50°	350 lb.	91.9 lb.
LAD-RAF-5-G-EZ	5	80 in.	50 in.	16 ¹³ / ₁₆ in.	28 in.	47 ¹ / ₂ in.	54 ⁵ / ₁₆ in.	50°	350 lb.	106.4 lb.
LAD-RAF-6-G-EZ	6	90 in.	60 in.	16 ¹³ / ₁₆ in.	28 in.	55 ⁷ / ₈ in.	64 ⁵ / ₈ in.	50°	350 lb.	124.4 lb.
LAD-RAF-7-G-EZ	7	100 in.	70 in.	16 ¹³ / ₁₆ in.	28 in.	60 ¹ / ₄ in.	70 ¹³ / ₁₆ in.	50°	350 lb.	138.5 lb.
LAD-RAF-8-24-G-EZ	8	110 in.	80 in.	23 ⁹ / ₁₆ in.	34 ¹ / ₄ in.	72 ⁵ / ₈ in.	77 in.	50°	350 lb.	176.8 lb.
LAD-RAF-9-24-G-EZ	9	120 in.	90 in.	23 ⁹ / ₁₆ in.	34 ¹ / ₄ in.	81 in.	89 ⁵ / ₈ in.	50°	350 lb.	197.7 lb.
LAD-RAF-10-24-G-EZ	10	130 in.	100 in.	23 ⁹ / ₁₆ in.	34 ¹ / ₄ in.	89 ⁷ / ₁₆ in.	95 ¹³ / ₁₆ in.	50°	350 lb.	214.4 lb.
LAD-RAF-11-24-G-EZ	11	140 in.	110 in.	23 ⁹ / ₁₆ in.	34 ¹ / ₄ in.	97 ¹³ / ₁₆ in.	102 ³ / ₄ in.	50°	350 lb.	235 lb.
LAD-RAF-12-24-G-EZ	12	156 in.	120 in.	23 ⁹ / ₁₆ in.	34 ¹ / ₄ in.	106 ³ / ₁₆ in.	113 ⁵ / ₁₆ in.	50°	350 lb.	259.8 lb.

SIGNAL WORDS

SIGNAL WORDS in this manual draw the reader's attention to important safety-related messages.

 DANGER	Identifies a hazardous situation which, if not avoided, WILL result in DEATH or SERIOUS INJURY . Use of this signal word is limited to the most extreme situations.
 WARNING	Identifies a hazardous situation which, if not avoided, COULD result in DEATH or SERIOUS INJURY .
 CAUTION	Indicates a hazardous situation which, if not avoided, COULD result in MINOR or MODERATE injury.
 NOTICE	Identifies practices likely to result in product/property damage, such as operation that might damage the product.

SAFETY INSTRUCTIONS

Vestil strives to identify foreseeable hazards associated with the use of its products, but no manual can address every conceivable risk. Reduce risk by applying sound judgment whenever using this device. Acquire a copy of the latest version of ANSI A14.7 ("A14.7" or the "Standard"). Apply all parts of the Standard that concern using, inspecting, maintaining & repairing of the ladder. **Keep a copy of this manual with the ladder at all times, e.g.** inside a plastic pouch attached to the frame. **Anyone who uses this ladder must be made aware that a copy of the manual is available and where to find it.**


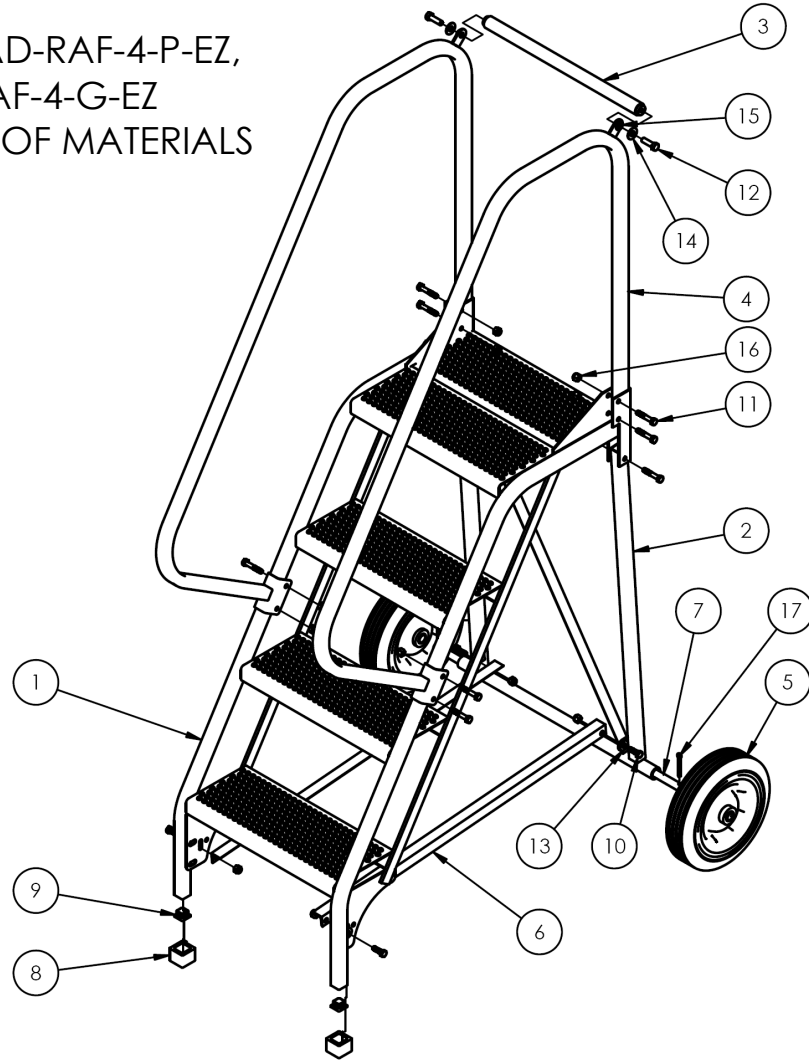
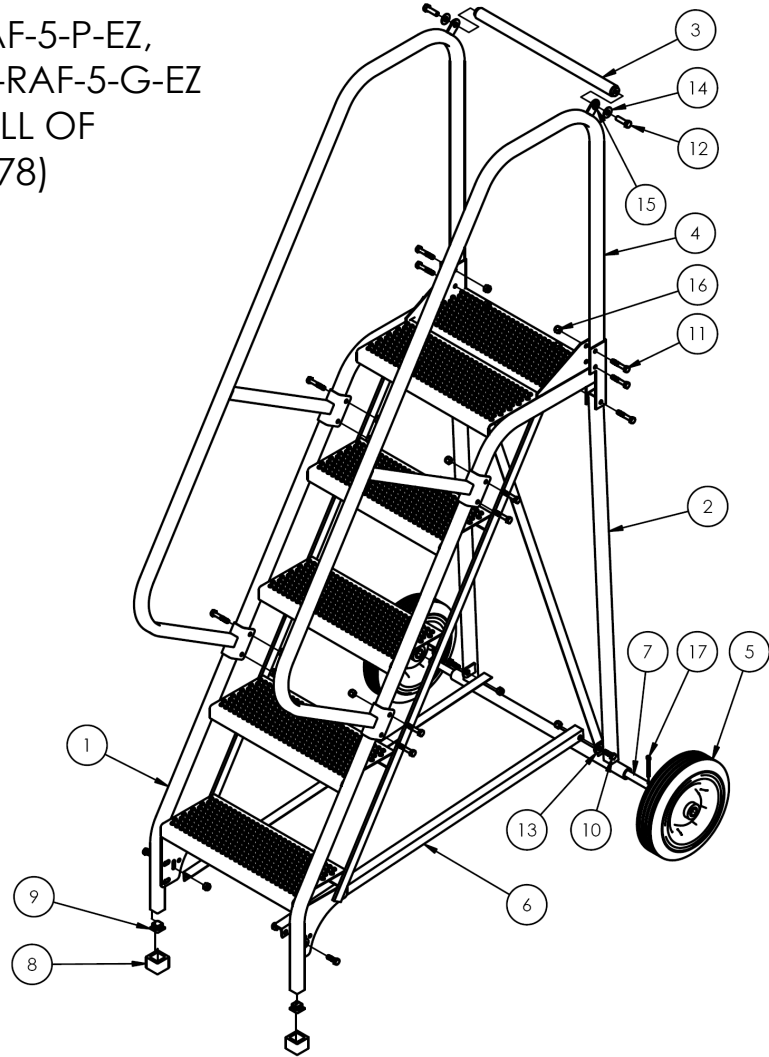
-  **WARNING** If this product is used improperly or carelessly, the user and/or bystanders might sustain serious personal injuries or could even be killed. ALWAYS use the product properly:
- **Read & understand the entire manual before assembling, using, inspecting, or servicing the ladder.**
 - **DO NOT use this ladder unless you are in good health. NEVER use the ladder while under the influence of alcohol or drugs, including prescription medication that affects balance, perception, or judgment.**
 - DO NOT exceed the capacity/rated load. The total weight applied to the ladder (weight of the user plus tools, etc.) must not be greater than the capacity. The capacity is provided on label 287. See [LABELING DIAGRAM](#) on p. 18.
 - Wear appropriate footwear. DO NOT wear high-heeled shoes or footwear with smooth soles.
 - DO NOT use the ladder on uneven, sloped, or unstable surfaces. ONLY use the ladder on even, level surfaces.
 - Make sure that you will not contact overhead objects with either your body or with the ladder during use.
 - Avoid electrical shock! Take precautions to prevent any contact, or possible contact, with an energized, insulated conductor (electrical line).
 - Remove foreign matter, e.g. mud, from your shoes *before* walking on the ladder. Only wear slip-resistant shoes.
 - Only stand on the steps or the platform. DO NOT climb onto the railing. DO NOT slide on the railing.
 - DO NOT access, or egress from, any step or the platform from another elevated surface unless the ladder is positively secured against movement.
 - ALWAYS face the stairs and use the handrails while ascending and descending the ladder.
 - DO NOT increase the height of the platform or of a step by standing on other objects placed on the ladder.
 - Inspect the ladder as described in [INSPECTIONS & MAINTENANCE](#) on p. 17-18. DO NOT use the ladder unless it is in *Satisfactory Condition*. ONLY use manufacturer-approved replacement parts when repairs are necessary.
 - DO NOT use the ladder if the caps on the front legs are significantly worn. See applicable [EXPLODED VIEW](#) on p. 4-13. Caps should prevent the ladder from sliding. If either or both caps are too worn to function properly, replace them before using the ladder again.
 - ONLY use the ladder to access elevated working positions. DO NOT use the ladder for any other purpose. DO NOT store materials and/or equipment on the steps or platform. Always unload the ladder before leaving it unattended.
 - DO NOT position an occupied ladder in front of a door unless that door is secured in an open position, is locked, is attended, or is barricaded.
 - DO NOT lean, or reach, over the handrails or guardrails of the ladder. Position the ladder as close to the work as possible. Reposition the ladder to prevent overreaching. Overreaching could cause instability and result in a fall.
 - Avoid sudden shifts while on the ladder. DO NOT push, pull, or lean on the handrails or guardrails.
 - DO NOT skip steps. Climb the ladder one step at a time.
 - DO NOT attempt to move the ladder while someone is using it. The ladder must be unoccupied before it is moved.
 - DO NOT use the ladder to transport people or objects. DO NOT ride on the ladder
 - DO NOT remove or obscure any label. Each label must be readable, undamaged, and present in the appropriate location. See [LABELING DIAGRAM](#) on p. 18.
 - DO NOT modify this ladder! Unauthorized modifications automatically void the [LIMITED WARRANTY](#) (p. 19) and might make the ladder unsafe to use.
 - Only locking fasteners should be used. During assembly, confirm that there are only locking nuts. Contact [TECHNICAL SERVICE](#) (see cover page) if you find non-locking nuts. Lock nuts can only safely be used once. Discard used lock nuts and install new lock nuts after unfastening any connection.

FIG. 1: LAD-RAF-4-P, LAD-RAF-4-P-EZ, LAD-RAF-4-G, & LAD-RAF-4-G-EZ EXPLODED VIEW & BILL OF MATERIALS (44-006-412)



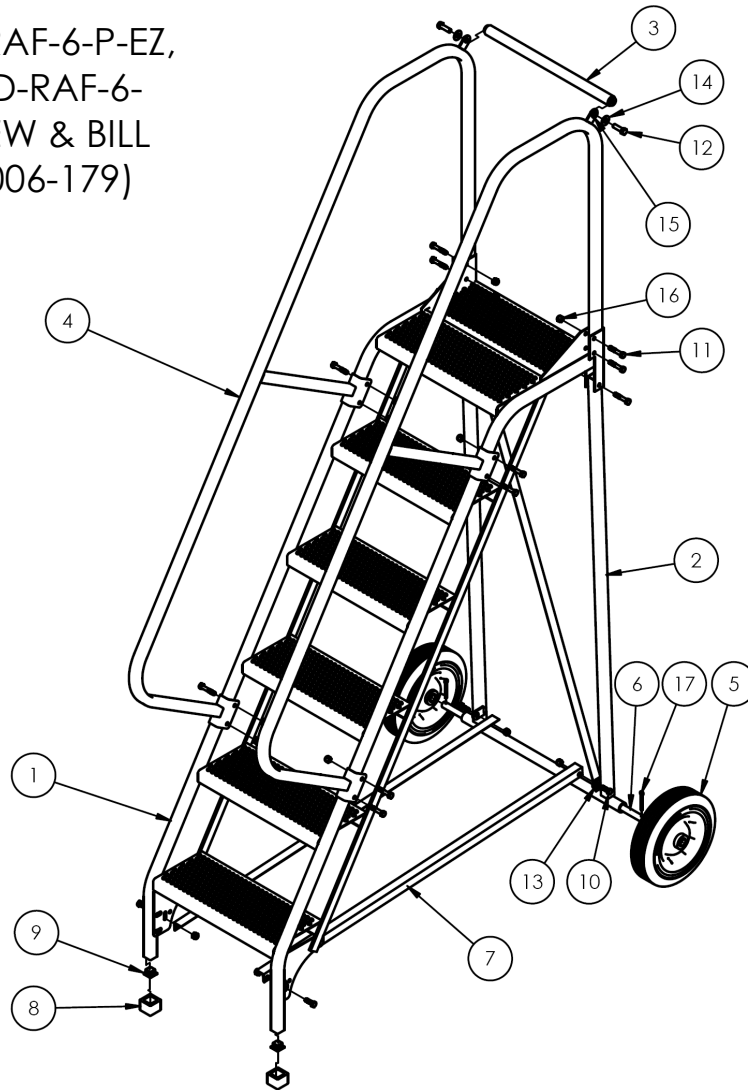
Item	Part no.	Description	Quantity
1	44-647-107	WELDMENT, 4-STEP FRAME	1
	44-647-108	LAD-RAF-4-P	1
	44-647-109	LAD-RAF-4-G	1
	44-647-110	LAD-RAF-4-P-EZ	1
	44-647-110	LAD-RAF-4-G-EZ	1
2	44-514-315	WELDMENT, BACK LEG, 4-STEP	1
3	44-514-324	WELDMENT, FRAME, BACK PLATFORM	1
4	44-524-109	WELDMENT, HANDRAIL	2
	44-524-110	LAD-RAF-4-P & LAD-RAF-4-G LAD-RAF-4-P-EZ & LAD-RAF-4-G-EZ	2
5	16-132-310	WHEEL, Ø10" x 2 1/2", 16mm STEEL HUB	2
6	44-014-332	FRAME, BASE SUPPORT	2
	44-014-233	LAD-RAF-4-P & LAD-RAF-4-G LAD-RAF-4-P-EZ & LAD-RAF-4-G-EZ	2
7	44-112-006	5-8 STEP WHEEL AXLE	1
8	99-024-027	SQUARE CAP, 1" X 1", 60 DURO.	2
9	99-025-025	1" PLASTIC PLUG (BLACK)	2
10	11055	HEX BOLT, GRADE A, ZINC PLATED, 5/16-18 X 1	4
11	11060	HHCS HEX BOLT, GRADE A, Ø 5/16 -18 UNC X 1-3/4 LG.	10
12	11107	HEX BOLT, GRADE A, ZINC FINISH, 3/8"-16 x 1-1/4"	2
13	33006	FLAT WASHER, ZINC PLATED, USS, Ø5/16"	4
14	33008	FLAT WASHER, LOW CARBON, USS, ZINC PLATED, 3/8"	2
15	33622	SPLIT LOCK WASHER, CARBON STEEL, MEDIUM ZINC FINISH, 3/8"	2
16	37021	NYLON INSERT LOCK NUT, GRADE 2, ZINC FINISH, 5/16"-18	14
17	65127	COTTER PIN Z PLATED, 3/16 x 2	2

FIG. 2: LAD-RAF-5-P, LAD-RAF-5-P-EZ,
LAD-RAF-5-G, & LAD-RAF-5-G-EZ
EXPLODED VIEW & BILL OF
MATERIALS (44-006-178)



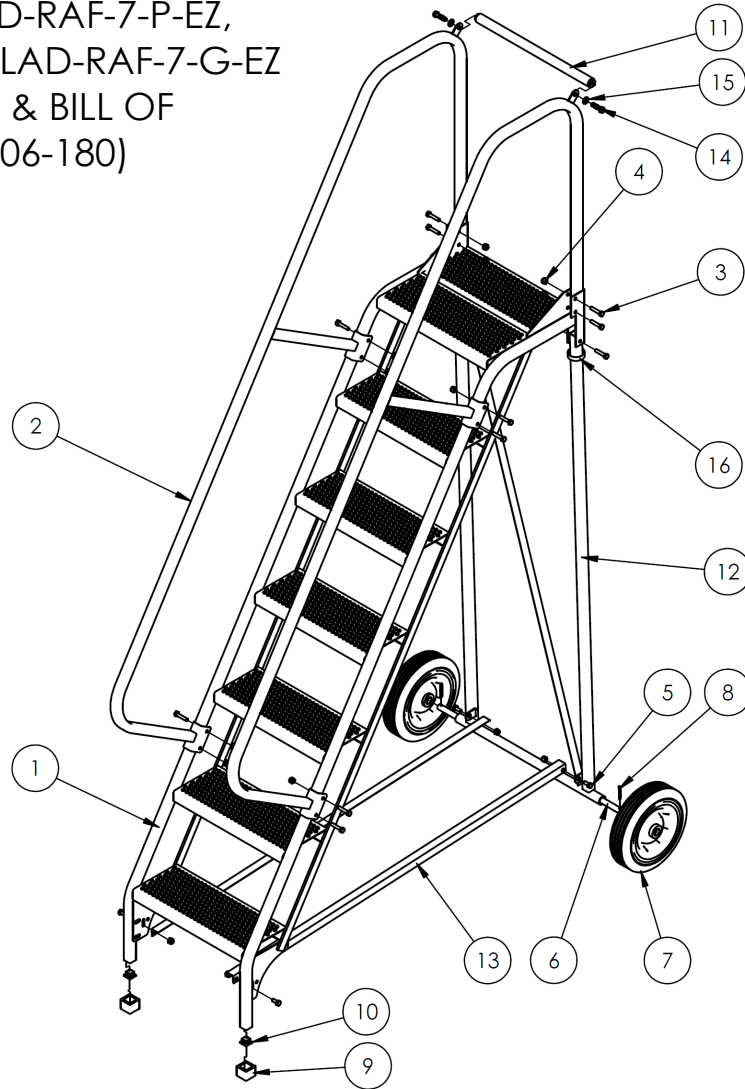
Item	Part no.	Description	Quantity
1	44-647-014	WELDMENT, 5-STEP FRAME	1
	44-647-022	LAD-RAF-5-P	
	44-647-030	LAD-RAF-5-G	
	44-647-038	LAD-RAF-5-P-EZ LAD-RAF-5-G-EZ	
2	44-514-316	WELDMENT, BACK LEG, 5-STEP	1
3	44-514-324	WELDMENT, FRAME, BACK PLATFORM	1
4	44-524-041	WELDMENT, HANDRAIL	2
	44-524-111	LAD-RAF-5-P & LAD-RAF-5-G LAD-RAF-5-P-EZ and LAD-RAF-5-G-EZ	
5	16-132-310	WHEEL, Ø10" x 2 1/2", 16mm STEEL HUB	2
6	44-014-233	FRAME, BASE SUPPORT	2
	44-014-510	LAD-RAF-5-P & LAD-RAF-5-G LAD-RAF-5-P-EZ and LAD-RAF-5-G-EZ	
7	44-112-006	5-8 STEP WHEEL AXLE	1
8	99-024-027	SQUARE CAP, 1" X 1", 60 DURO.	2
	99-025-025	1" PLASTIC PLUG (BLACK)	
10	11055	HEX BOLT, GRADE A, ZINC PLATED, 5/16-18 X 1	4
11	11060	HHCS HEX BOLT, GRADE A, Ø 5/16 -18 UNC X 1-3/4 LG.	14
12	11107	HEX BOLT, GRADE A, ZINC FINISH, 3/8"-16 x 1-1/4"	2
13	33006	FLAT WASHER, ZINC PLATED, USS, Ø5/16"	4
14	33008	FLAT WASHER, LOW CARBON, USS, ZINC PLATED, 3/8"	2
15	33622	SPLIT LOCK WASHER, CARBON STEEL, MEDIUM ZINC FINISH, 3/8"	2
16	37021	NYLON INSERT LOCK NUT, GRADE 2, ZINC FINISH, 5/16"-18	18
17	65127	COTTER PIN Z PLATED, 3/16 x 2	2

FIG. 3: LAD-RAF-6-P, LAD-RAF-6-P-EZ, LAD-RAF-6-G, & LAD-RAF-6-G-EZ EXPLODED VIEW & BILL OF MATERIALS (44-006-179)



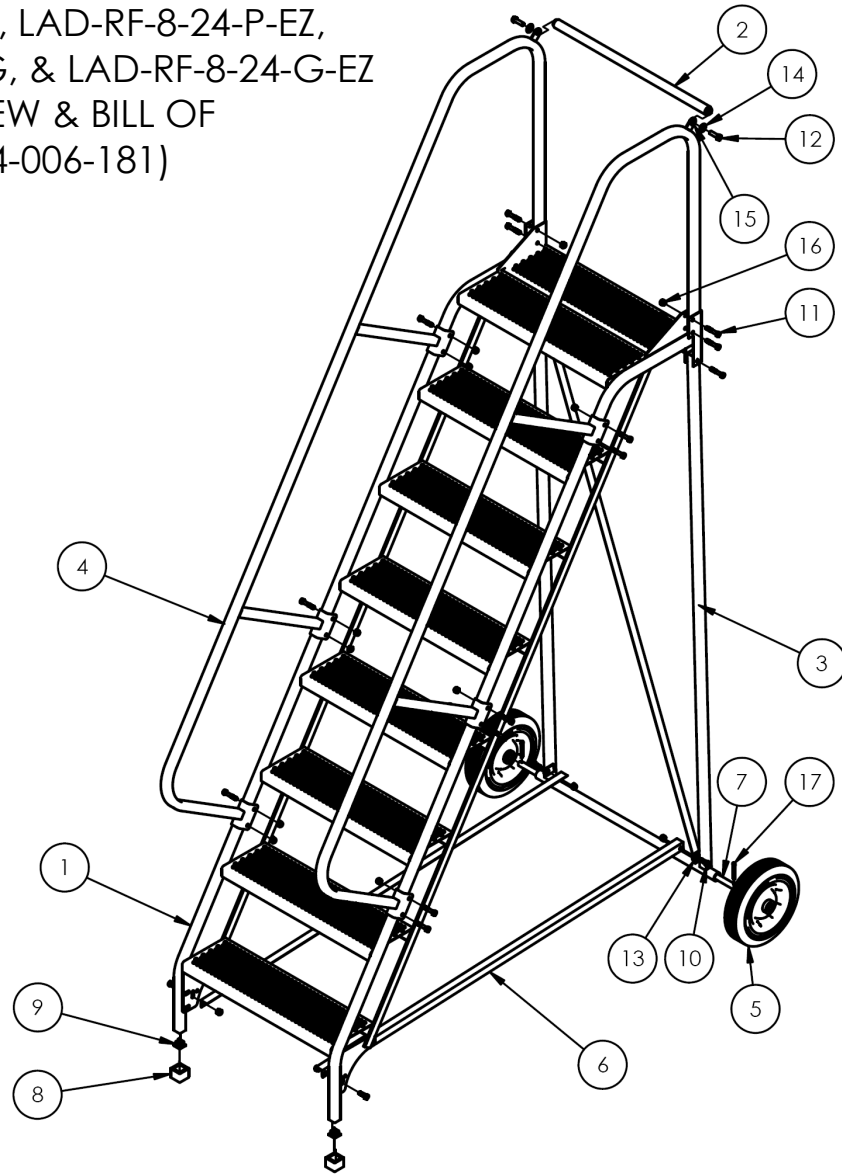
Item	Part no.	Description	Quantity	
1	44-647-015	WELDMENT, 6-STEP FRAME	1	
	44-647-023	LAD-RAF-6-P	1	
	44-647-031	LAD-RAF-6-G	1	
	44-647-039	LAD-RAF-6-P-EZ	1	
2	44-514-317	WELDMENT, BACK LEG, 6-STEP	1	
	44-514-324	WELDMENT, FRAME, BACK PLATFORM	1	
	4	44-524-042	WELDMENT, HANDRAIL	2
		44-524-056	LAD-RAF-6-P & LAD-RAF-6-G	2
5	16-132-310	LAD-RAF-6-P-EZ & LAD-RAF-6-G-EZ	2	
	16-132-310	WHEEL, Ø10" x 2 1/2", 16mm STEEL HUB	2	
6	44-112-006	5-8 STEP WHEEL AXLE	1	
7	44-014-320	FRAME, BASE SUPPORT	2	
	44-014-243	LAD-RAF-6-P & LAD-RAF-6-G	2	
8	99-024-027	LAD-RAF-6-P-EZ & LAD-RAF-6-G-EZ	2	
8	99-024-027	SQUARE CAP, 1" X 1", 60 DURO.	2	
9	99-025-025	1" PLASTIC PLUG (BLACK)	2	
10	11055	HEX BOLT, GRADE A, ZINC PLATED, 5/16-18 X 1	4	
11	11060	HHCS HEX BOLT, GRADE A, Ø 5/16 -18 UNC X 1-3/4 LG.	14	
12	11107	HEX BOLT, GRADE A, ZINC FINISH, 3/8"-16 x 1-1/4"	2	
13	33006	FLAT WASHER, ZINC PLATED, USS, Ø5/16"	4	
	33008	FLAT WASHER, LOW CARBON, USS, ZINC PLATED, 3/8"	2	
15	33622	SPLIT LOCK WASHER, CARBON STEEL, MEDIUM ZINC FINISH, 3/8"	2	
16	37021	NYLON INSERT LOCK NUT, GRADE 2, ZINC FINISH, 5/16"-18	18	
17	65127	COTTER PIN Z PLATED, 3/16 x 2	2	

FIG. 4: LAD-RAF-7-P, LAD-RAF-7-P-EZ, LAD-RAF-7-G, & LAD-RAF-7-G-EZ EXPLODED VIEW & BILL OF MATERIALS (44-006-180)



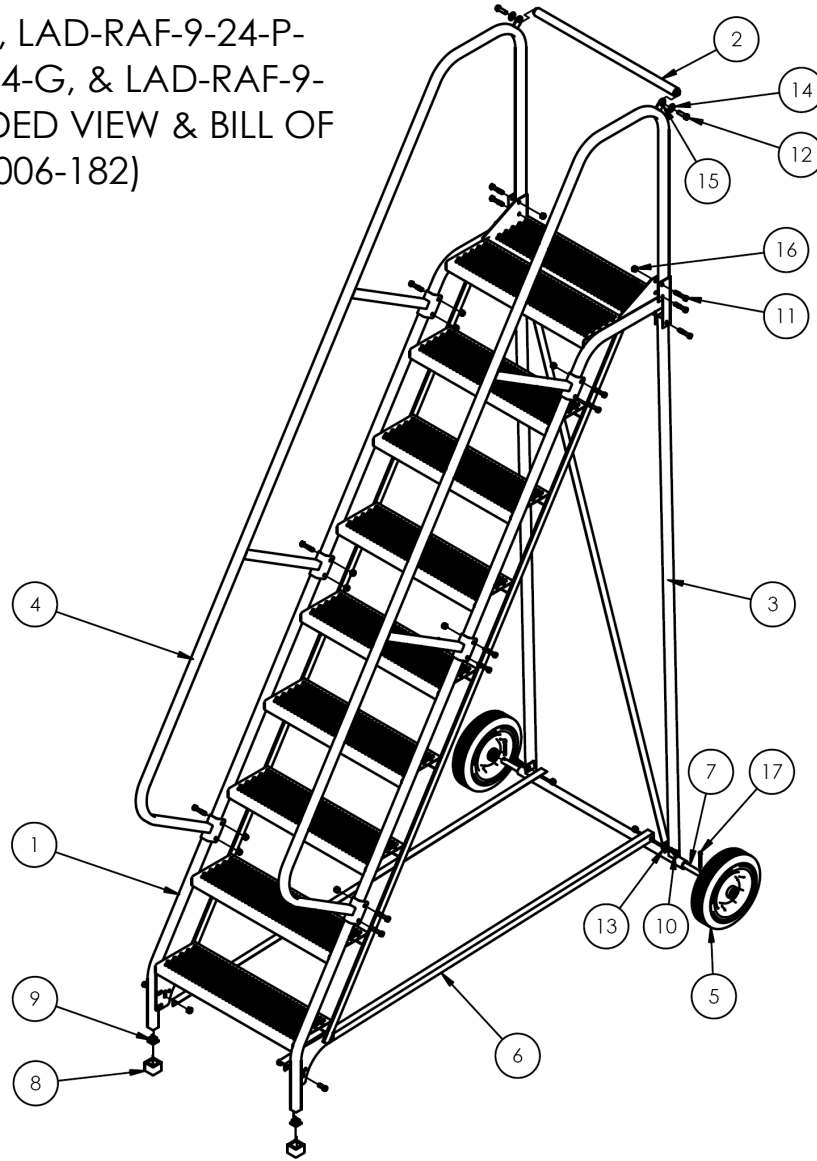
Item	Part no.	Description	Quantity
1	44-647-016	WELDMENT, 7-STEP FRAME LAD-RAF-7-P	1
	44-647-024	LAD-RAF-7-G	1
	44-647-032	LAD-RAF-7-P-EZ	1
	44-647-040	LAD-RAF-7-G-EZ	1
2	44-514-318	WELDMENT, BACK LEG, 7-STEP	1
3	44-514-324	WELDMENT, FRAME, BACK PLATFORM	1
4	44-524-043	WELDMENT, HANDRAIL LAD-RAF-7-P & LAD-RAF-7-G	2
	44-524-049	LAD-RAF-7-P-EZ & LAD-RAF-7-G-EZ	2
5	16-132-310	WHEEL, Ø10" x 2 1/2", 16mm STEEL HUB	2
6	44-014-238	BASE SUPPORT LAD-RAF-7-P & LAD-RAF-7-G	2
	44-014-400	LAD-RAF-7-P-EZ & LAD-RAF-7-G-EZ	2
7	44-112-006	5-8 STEP WHEEL AXLE	1
8	99-024-027	SQUARE CAP, 1" X 1", 60 DURO.	2
9	99-025-025	1" PLASTIC PLUG (BLACK)	2
10	11055	HEX BOLT, GRADE A, ZINC PLATED, 5/16-18 X 1	4
11	11060	HHCS HEX BOLT, GRADE A, Ø 5/16 -18 UNC X 1-3/4 LG.	14
12	11107	HEX BOLT, GRADE A, ZINC FINISH, 3/8"-16 x 1-1/4"	2
13	33006	FLAT WASHER, ZINC PLATED, USS, Ø5/16"	4
14	33008	FLAT WASHER, LOW CARBON, USS, ZINC PLATED, 3/8"	2
15	33622	SPLIT LOCK WASHER, CARBON STEEL, MEDIUM ZINC FINISH, 3/8"	2
16	37021	NYLON INSERT LOCK NUT, GRADE 2, ZINC FINISH, 5/16"-18	18
17	65127	COTTER PIN Z PLATED, 3/16 x 2	2

FIG. 5: LAD-RF-8-24-P, LAD-RF-8-24-P-EZ, LAD-RF-8-24-G, & LAD-RF-8-24-G-EZ EXPLODED VIEW & BILL OF MATERIALS (44-006-181)



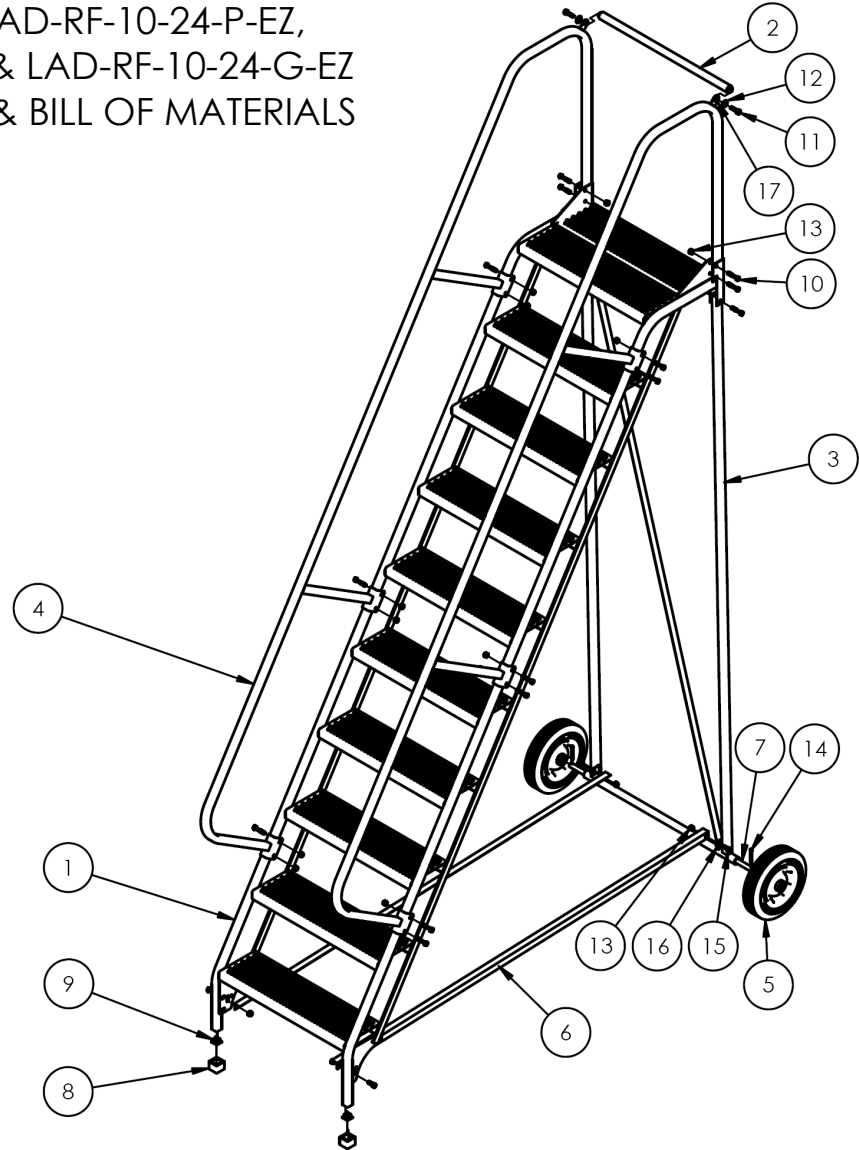
Item	Part no.	Description	Quantity
1	44-647-017	WELDMENT, 8-STEP FRAME	1
	44-647-025	LAD-RAF-8-24-P	1
	44-647-033	LAD-RAF-8-24-G	1
	44-647-041	LAD-RAF-8-24-G-EZ	1
2	44-514-314	WELDMENT, FRAME, BACK PLATFORM	1
3	44-514-319	WELDMENT, BACK LEG, 8-STEP	1
4	44-524-044	WELDMENT, HANDRAIL, 8-STEP	2
	44-524-050	LAD-RAF-8-24-P & LAD-RAF-8-24-G	2
5	16-132-310	WHEEL, Ø10" x 2 1/2", 16mm STEEL HUB	2
6	44-014-243	FRAME, BASE SUPPORT	2
	44-014-401	LAD-RAF-8-24-P & LAD-RAF-8-24-G	2
7	44-112-007	9-12 STEP WHEEL AXLE	1
8	99-024-027	SQUARE CAP, 1" X 1", 60 DURO.	2
9	99-025-025	1" PLASTIC PLUG (BLACK)	2
10	11055	HEX BOLT, GRADE A, ZINC PLATED, 5/16-18 X 1	4
11	11060	HHCS HEX BOLT, GRADE A, Ø 5/16 -18 UNC X 1-3/4 LG.	18
12	11107	HEX BOLT, GRADE A, ZINC FINISH, 3/8"-16 x 1-1/4"	2
13	33006	FLAT WASHER, ZINC PLATED, USS, Ø5/16"	4
14	33008	FLAT WASHER, LOW CARBON, USS, ZINC PLATED, 3/8"	2
15	33622	SPLIT LOCK WASHER, CARBON STEEL, MEDIUM ZINC FINISH, 3/8"	2
16	37021	NYLON INSERT LOCK NUT, GRADE 2, ZINC FINISH, 5/16"-18	22
17	65127	COTTER PIN Z PLATED, 3/16 x 2	2

FIG. 6: LAD-RAF-9-24-P, LAD-RAF-9-24-P-EZ, LAD-RAF-9-24-G, & LAD-RAF-9-24-G-EZ EXPLODED VIEW & BILL OF MATERIALS (44-006-182)



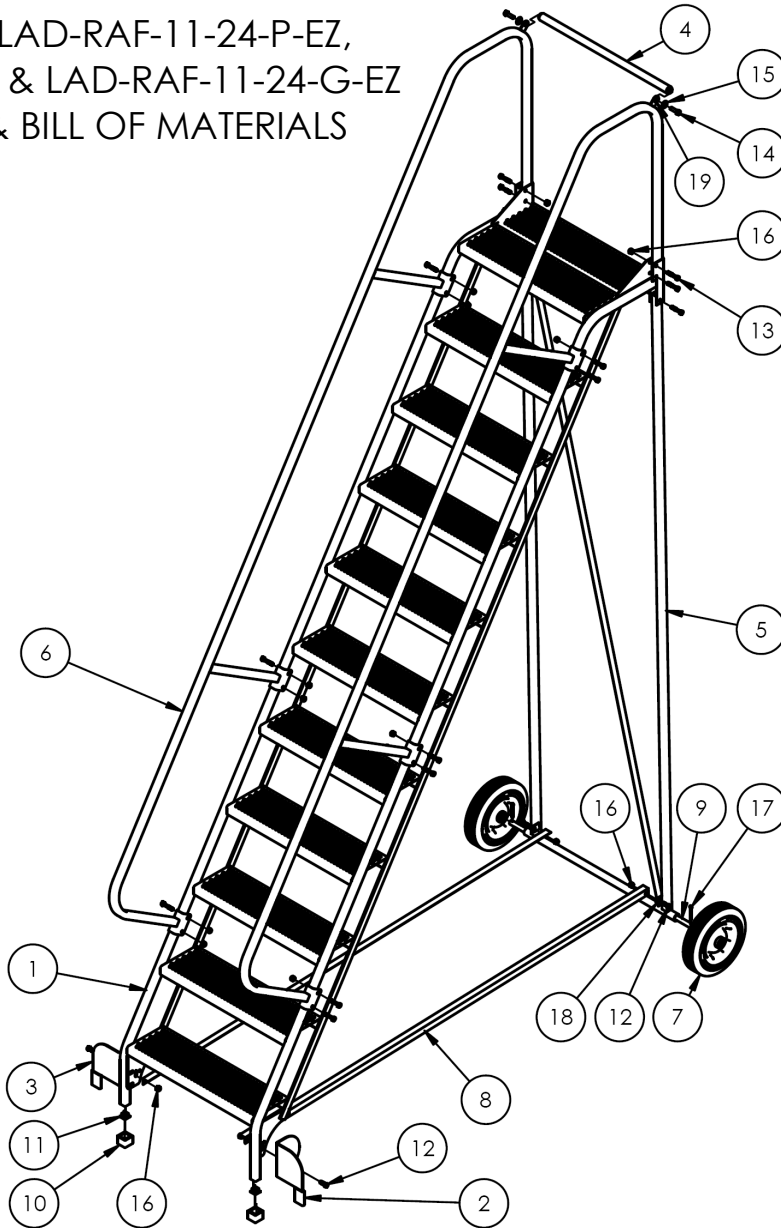
Item	Part no.	Description	Quantity
1	44-647-018	WELDMENT, 9-STEP FRAME	1
	44-647-026	LAD-RAF-9-24-P	1
	44-647-032	LAD-RAF-9-24-P-EZ	1
	44-647-042	LAD-RAF-9-24-G-EZ	1
2	44-514-314	WELDMENT, FRAME, BACK PLATFORM	1
3	44-514-320	WELDMENT, BACK LEG, 9-STEP	1
4	44-524-045	WELDMENT, HANDRAIL, 9-STEP	2
	44-524-051	LAD-RAF-9-24-P & LAD-RAF-9-24-G LAD-RAF-9-24-P-EZ & LAD-RAF-9-24-G-EZ	
5	16-132-310	WHEEL, Ø10" x 2 1/2", 16mm STEEL HUB	2
6	44-014-400	FRAME, BASE SUPPORT	2
	44-014-403	LAD-RAF-9-24-P & LAD-RAF-9-24-G LAD-RAF-9-24-P-EZ & LAD-RAF-9-24-G-EZ	
7	44-112-007	9-12 STEP WHEEL AXLE	1
8	99-024-027	SQUARE CAP, 1" X 1", 60 DURO.	2
	99-025-025	1" PLASTIC PLUG (BLACK)	
9			2
10	11055	HEX BOLT, GRADE A, ZINC PLATED, 5/16-18 X 1	4
11	11060	HHCS HEX BOLT, GRADE A, Ø 5/16 -18 UNC X 1-3/4 LG.	18
12	11107	HEX BOLT, GRADE A, ZINC FINISH, 3/8"-16 x 1-1/4"	2
13	33006	FLAT WASHER, ZINC PLATED, USS, Ø5/16"	4
14	33008	FLAT WASHER, LOW CARBON, USS, ZINC PLATED, 3/8"	2
15	33622	SPLIT LOCK WASHER, CARBON STEEL, MEDIUM ZINC FINISH, 3/8"	2
16	37021	NYLON INSERT LOCK NUT, GRADE 2, ZINC FINISH, 5/16"-18	22
17	65127	COTTER PIN Z PLATED, 3/16 x 2	2

FIG. 7: LAD-RF-10-24-P, LAD-RF-10-24-P-EZ,
LAD-RF-10-24-G, & LAD-RF-10-24-G-EZ
EXPLODED VIEW & BILL OF MATERIALS
(44-006-183)



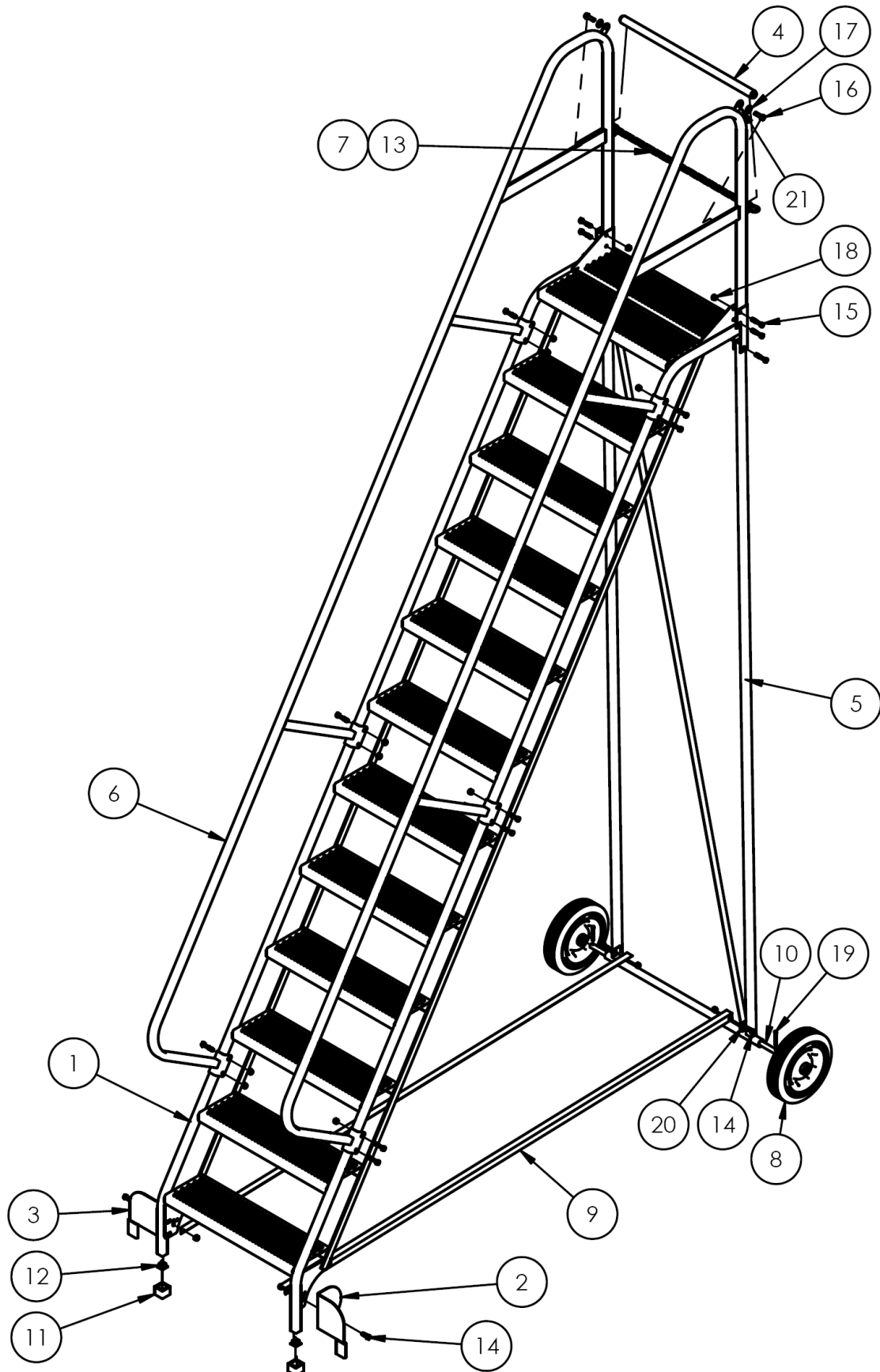
Item	Part no.	Description	Quantity
1	44-647-019	WELDMENT, 10-STEP FRAME	1
	44-647-027	LAD-RAF-10-24-P	
	44-647-035	LAD-RAF-10-24-G	
	44-647-043	LAD-RAF-10-24-G-EZ	
2	44-514-314	WELDMENT, FRAME, BACK PLATFORM	1
3	44-514-321	WELDMENT, BACK LEG, 10-STEP	1
4	44-524-046	WELDMENT, HANDRAIL, 10-STEP	2
	44-524-052	LAD-RAF-10-24-P & LAD-RAF-10-24-G LAD-RAF-10-24-P-EZ & LAD-RAF-10-24-G-EZ	
5	16-132-310	WHEEL, Ø10" x 2 1/2", 16mm STEEL HUB	2
6	44-014-401	FRAME, BASE SUPPORT	2
	44-014-404	LAD-RAF-10-24-P & LAD-RF-10-24-G LAD-RAF-10-24-P-EZ & LAD-RF-10-24-G-EZ	
7	44-112-007	9-12 STEP WHEEL AXLE	1
8	99-024-027	SQUARE CAP, 1" X 1", 60 DURO.	2
9	99-025-025	1" PLASTIC PLUG (BLACK)	2
10	11060	HHCS HEX BOLT, GRADE A, Ø 5/16 -18 UNC X 1-3/4 LG.	18
11	11107	HEX BOLT, GRADE A, ZINC FINISH, 3/8"-16 x 1-1/4"	2
12	33008	FLAT WASHER, LOW CARBON, USS, ZINC PLATED, 3/8"	2
13	37021	NYLON INSERT LOCK NUT, GRADE 2, ZINC FINISH, 5/16"-18	22
14	65127	COITER PIN Z PLATED, 3/16 x 2	2
15	11055	HEX BOLT, GRADE A, ZINC PLATED, 5/16-18 X 1	4
16	33006	FLAT WASHER, ZINC PLATED, USS, Ø5/16"	4
17	33622	SPLIT LOCK WASHER, CARBON STEEL, MEDIUM ZINC FINISH, 3/8"	2

FIG. 8: LAD-RAF-11-24-P, LAD-RAF-11-24-P-EZ, LAD-RAF-11-24-G, & LAD-RAF-11-24-G-EZ EXPLODED VIEW & BILL OF MATERIALS (44-006-184)



Item	Part no.	Description	Qty.	Item	Part no.	Description	Qty.
1	44-647-020	WELDMENT, 11-STEP FRAME	1	11	99-025-025	1" PLASTIC PLUG (BLACK)	2
	44-647-028	LAD-RAF-11-24-P					
	44-647-036	LAD-RAF-11-24-G					
	44-647-044	LAD-RAF-11-24-G-EZ					
2	44-514-310	ASSEMBLY, OUTRIGGER, RIGHT	1	12	11055	HEX BOLT, GRADE A, ZINC PLATED, 5/16-18 X 1	4
3	44-514-311	ASSEMBLY, OUTRIGGER, LEFT	1	13	11060	HHCS HEX BOLT, GRADE A, Ø 5/16 -18 UNC X 1-3/4 LG.	18
4	44-514-314	WELDMENT, FRAME, BACK PLATFORM	1	14	11107	HEX BOLT, GRADE A, ZINC FINISH, 3/8"-16 x 1-1/4"	2
5	44-514-322	WELDMENT, BACK LEG, 11-STEP	1	15	33008	FLAT WASHER, LOW CARBON, USS, ZINC PLATED, 3/8"	2
6	44-524-047	WELDMENT, HANDRAIL, 11-STEP	2	16	37021	NYLON INSERT LOCK NUT, GRADE 2, ZINC FINISH, 5/16"-18	22
	44-524-053	LAD-RAF-11-24-P & LAD-RAF-11-24-G LAD-RAF-11-24-P-EZ & LAD-RAF-11-24-G-EZ					
7	16-132-310	WHEEL, Ø10" x 2 1/2", 16mm STEEL HUB	2	17	65127	COTTER PIN Z PLATED, 3/16 x 2	2
8	44-014-402	FRAME, BASE SUPPORT	2	18	33006	FLAT WASHER, ZINC PLATED, USS, Ø5/16"	4
	44-014-515	LAD-RAF-11-24-P & LAD-RAF-11-24-G LAD-RAF-11-24-P-EZ & LAD-RAF-11-24-G-EZ					
9	44-112-007	9-12 STEP WHEEL AXLE	1	19	33622	SPLIT LOCK WASHER, CARBON STEEL, MEDIUM ZINC FINISH, 3/8"	2
10	99-024-027	SQUARE CAP, 1" X 1", 60 DURO.	2				

FIG. 9: LAD-RAF-12-24-P, LAD-RAF-12-24-P-EZ, LAD-RAF-12-24-G, & LAD-RAF-12-24-G-EZ EXPLODED VIEW (44-006-185)
*BILL OF MATERIALS ON FOLLOWING PAGE



BILL OF MATERIALS

LAD-RAF-12-24-P, LAD-RAF-12-24-P-EZ, LAD-RAF-12-24-G, & LAD-RAF-12-24-G-EZ

Item	Part no.	Description	Quantity
1	44-647-021	WELDMENT, 12-STEP FRAME	1
	44-647-029	LAD-RAF-12-24-P	1
	44-647-037	LAD-RAF-12-24-G	1
	44-647-045	LAD-RAF-12-24-P-EZ & LAD-RAF-12-24-G-EZ	1
2	44-514-310	ASSEMBLY, OUTRIGGER, RIGHT	1
3	44-514-311	ASSEMBLY, OUTRIGGER, LEFT	1
4	44-514-314	WELDMENT, FRAME, BACK PLATFORM	1
5	44-514-323	WELDMENT, BACK LEG, 12-STEP	1
6	44-524-048	WELDMENT, HANDRAIL, 12-STEP	2
	44-524-054	LAD-RF-12-24-P & LAD-RF-12-24-G LAD-RF-12-24-P-EZ & LAD-RF-12-24-G-EZ	2
7	08-145-008	SPECIALTY HARDWARE, SNAP HOOK, Ø1/4	2
8	16-132-310	WHEEL, Ø10" x 2 1/2", 16mm STEEL HUB	2
9	44-014-403	FRAME, BASE SUPPORT, ROUGH	2
	44-014-516	LAD-RF-12-24-P & LAD-RF-12-24-G LAD-RF-12-24-P-EZ & LAD-RF-12-24-G-EZ	2
10	44-112-007	9-12 STEP WHEEL AXLE	1
11	99-024-027	SQUARE CAP, 1" X 1", 60 DURO.	2
12	99-025-025	1" PLASTIC PLUG (BLACK)	2
13	99-145-031	Ø3/16 CHAIN 24"	1
14	11055	HEX BOLT, GRADE A, ZINC PLATED, 5/16-18 X 1	4
15	11060	HHCS HEX BOLT, GRADE A, Ø 5/16 -18 UNC X 1-3/4 LG.	18
16	11107	HEX BOLT, GRADE A, ZINC FINISH, 3/8"-16 x 1-1/4"	2
17	33008	FLAT WASHER, LOW CARBON, USS, ZINC PLATED, 3/8"	2
18	37021	NYLON INSERT LOCK NUT, GRADE 2, ZINC FINISH, 5/16"-18	22
19	65127	COTTER PIN Z PLATED, 3/16 x 2	2
20	33006	FLAT WASHER, ZINC PLATED, USS, Ø5/16"	4
21	33622	SPLIT LOCK WASHER, CARBON STEEL, MEDIUM ZINC FINISH, 3/8"	2

ASSEMBLY INSTRUCTIONS

⚠️ WARNING

Read the entire instruction manual before assembling this ladder. Improper assembly might make the ladder unsafe to use.

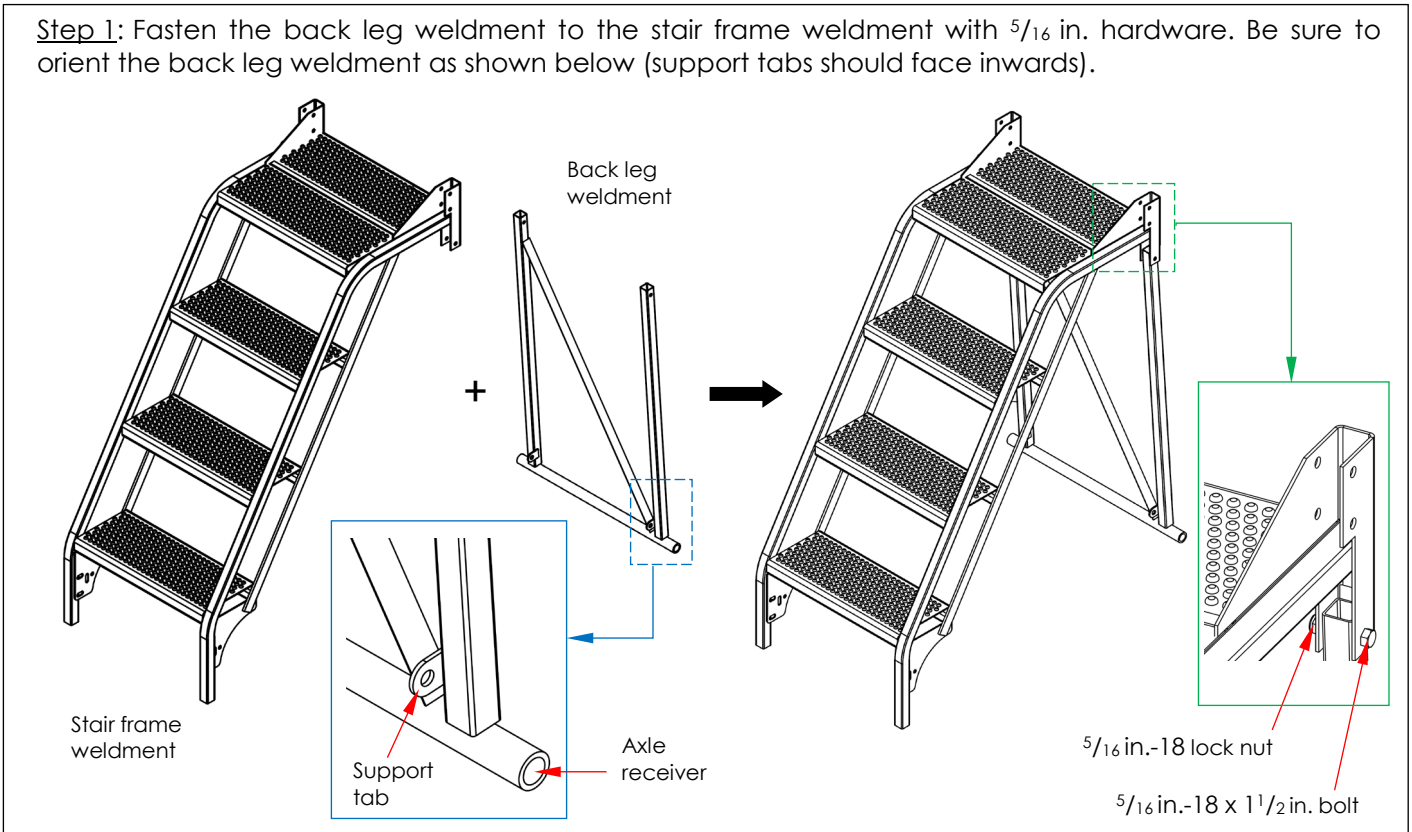
- Visually inspect the ladder components *prior to assembly*. Look at each part of the ladder immediately after you receive the package from the shipper. Look for damage that might have occurred during shipping. DO NOT assemble or use the ladder stand if you notice any damage to one or more of the steps or to any other structural element (step weldment, back leg weldment, base supports, and handrails) of the ladder. Using the ladder stand despite weakness of a frame member could result in serious personal injuries. DO NOT use your ladder stand if any of the hardware (bolts, nuts, etc.) is damaged. Contact Vestil to order replacement parts.
- DO NOT assemble the ladder by yourself. At least 2 people are needed for assembly.
- Read the entire instruction manual before assembling this ladder.
- DO NOT use the ladder if a wheel is damaged. Damaged wheels might cause the ladder to wobble and tip when used.
- ALWAYS use proper lifting techniques to minimize back strain if you must pick up ladder parts or move the ladder.

The following tools are necessary to assemble the ladder:

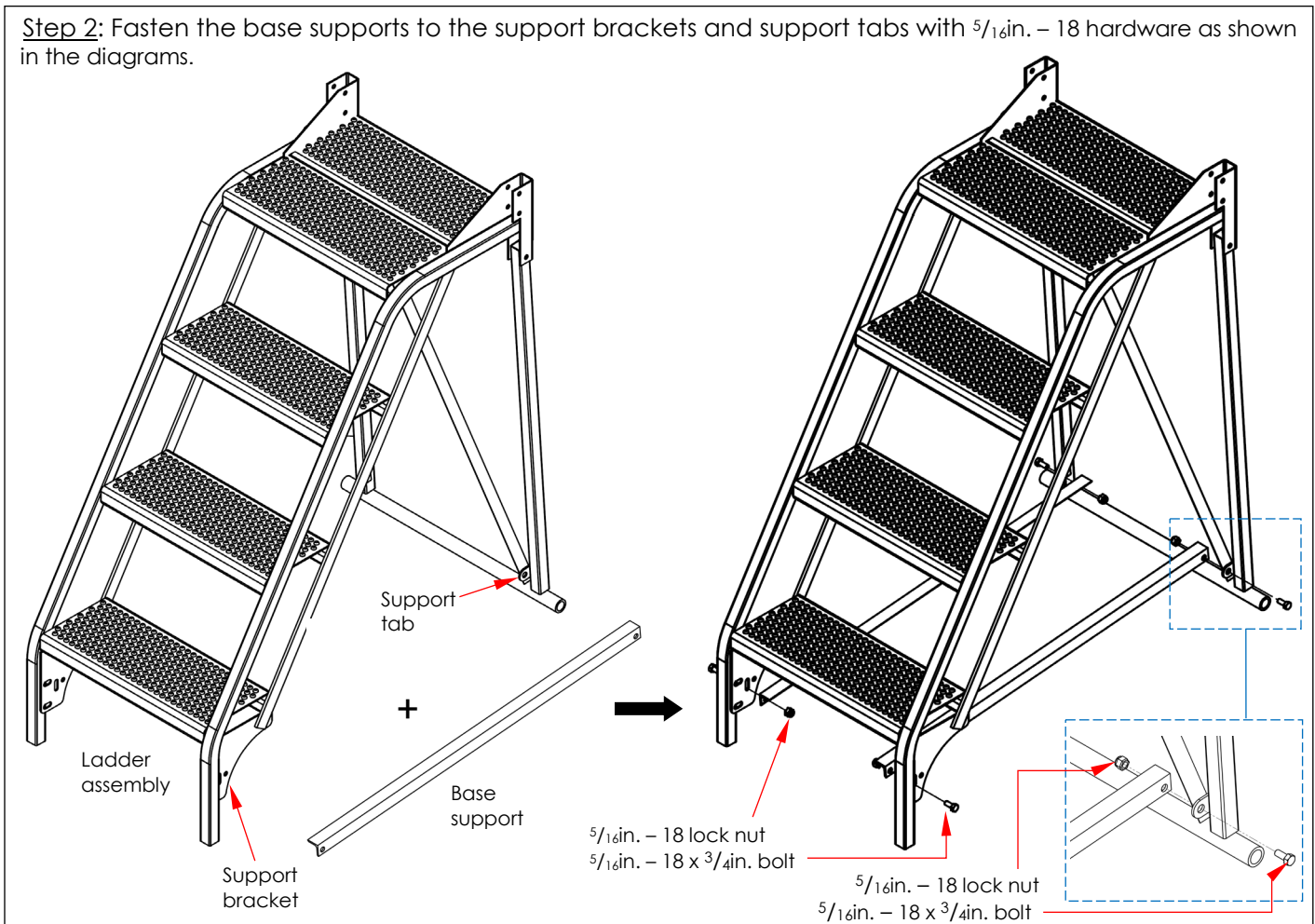
1. 2 crescent wrenches (1/2in. or adjustable to 1/2in.)
2. Rubber mallet
3. Pliers, preferably needle nose, to bend arms of cotter pins
4. Proper work clothing, eye protection, gloves
5. Sturdy wall no shorter than 8 feet high
6. At least 30ft by 10ft of floor space is required to raise or collapse the ladder
7. (If indoors) ceiling at least 16ft high.

ASSEMBLY INSTRUCTIONS

Step 1: Fasten the back leg weldment to the stair frame weldment with $\frac{5}{16}$ in. hardware. Be sure to orient the back leg weldment as shown below (support tabs should face inwards).

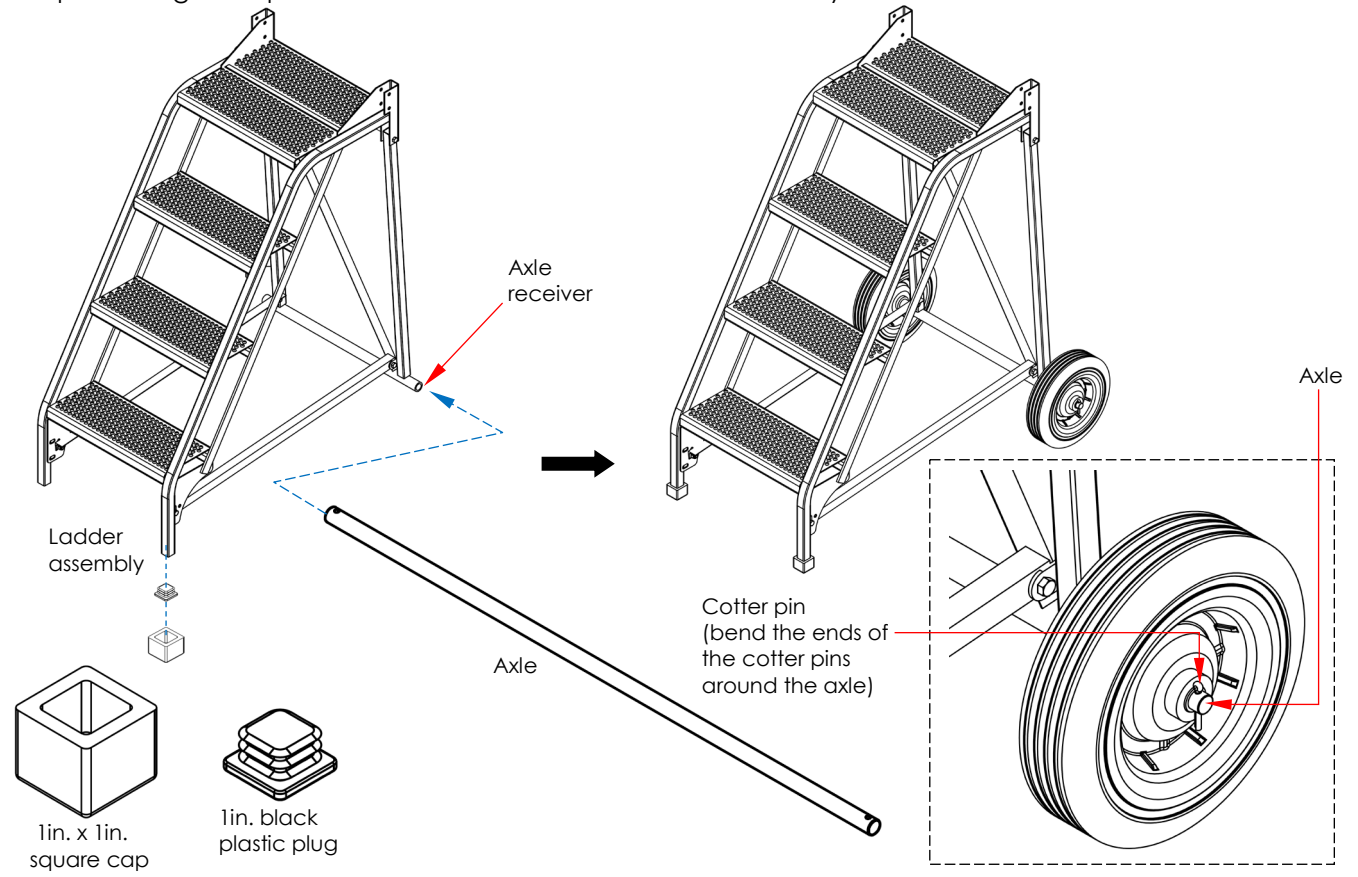


Step 2: Fasten the base supports to the support brackets and support tabs with $\frac{5}{16}$ in. – 18 hardware as shown in the diagrams.

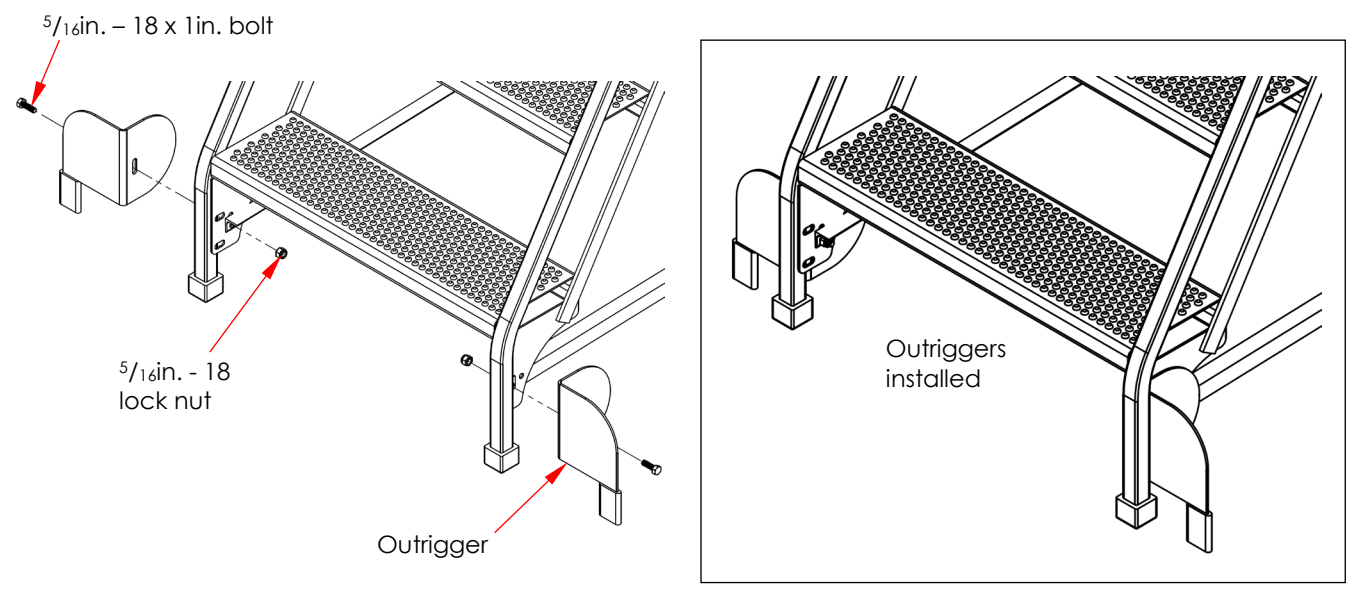


Step 3: Install the plugs, caps, axle and wheels.

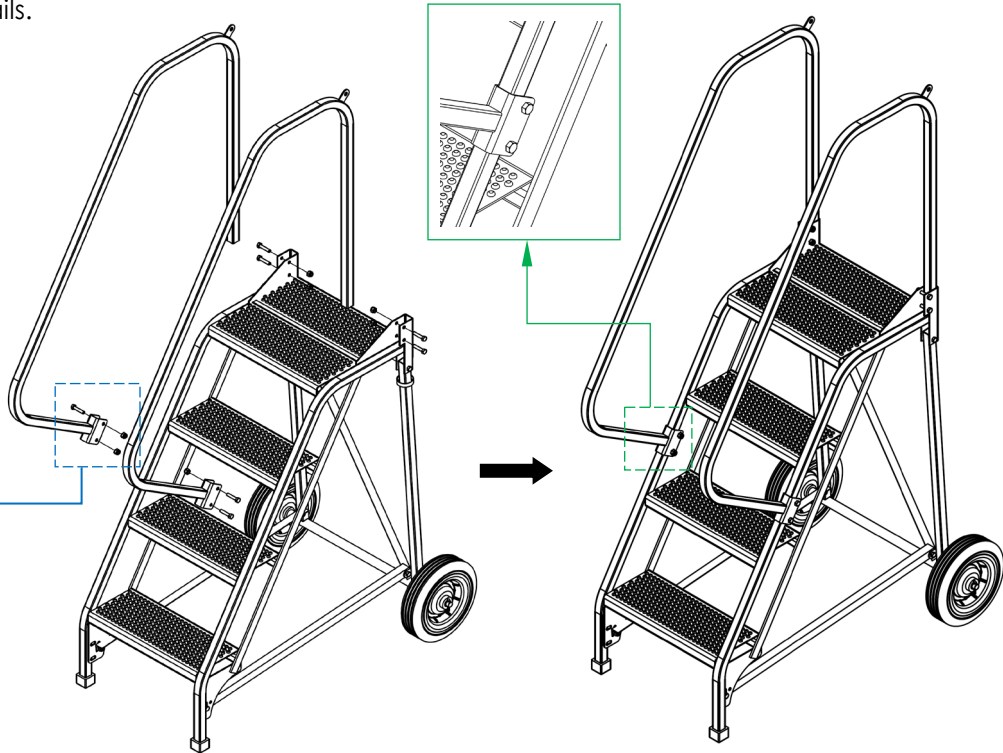
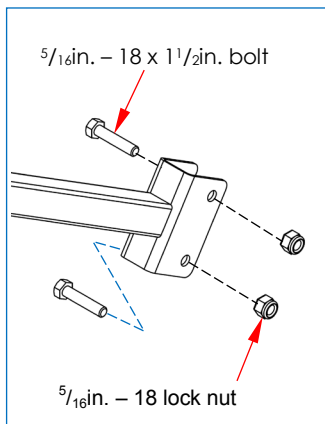
- a) Install the plastic plugs and square caps in the front legs. First, press the 1in. plastic plug into the front legs. Then, press the square caps over the plugs and onto the ends of the legs. If necessary, use a rubber mallet to gently tap the plugs and caps into place.
- b) Insert the axle through the axle receiver of the back leg weldment.
- c) Then, slide the wheels onto the ends of the axle. Secure the wheels to the axle by inserting a cotter pin through the pinhole in each end of the axle. Periodically lubricate the axle to allow the wheels



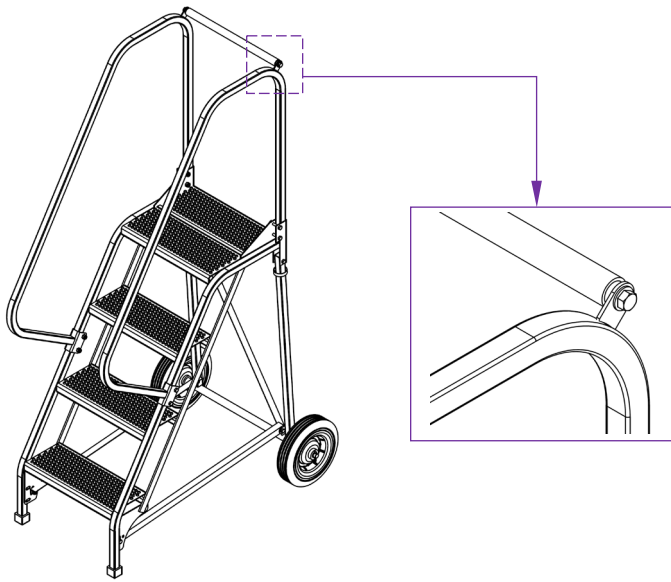
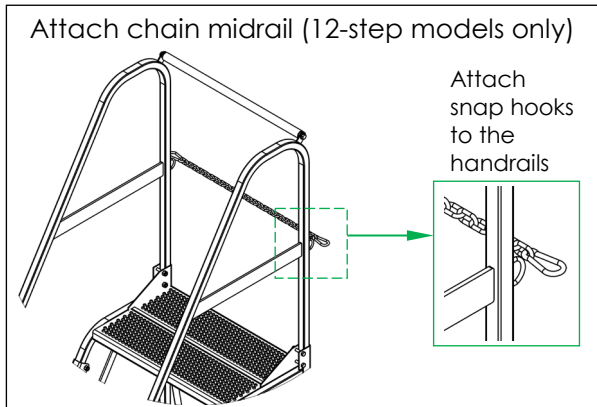
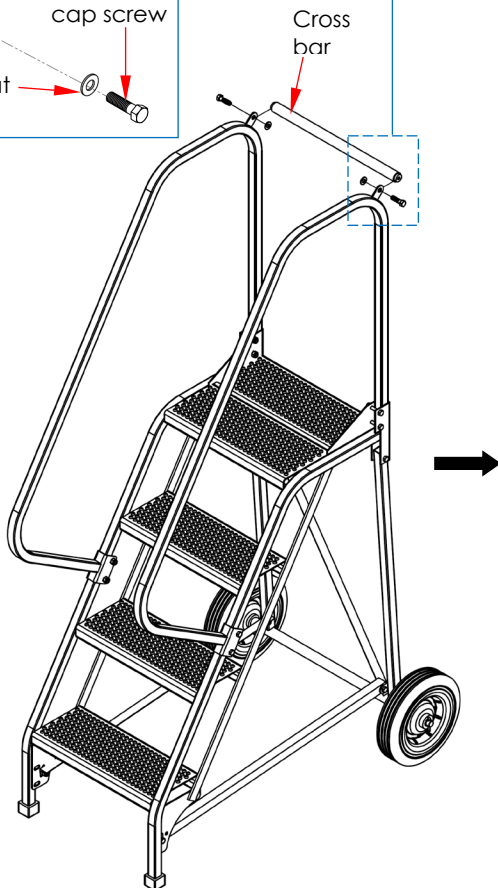
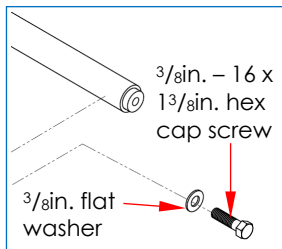
Step 4 (LAD-R-26-11 & LAD-R-26-12 only): Install the outriggers.



Step 5: Attach the handrails.



Step 6: Install the handrail cross bar. [NOTE: 12-step models also include a chain midrail.]



RECORD OF SATISFACTORY CONDITION (THE “RECORD”)

After assembling the ladder and before putting it into service, visually inspect the ladder. Record the condition and appearance of each of the frame members (step weldment, back leg weldment, base support frame members), the handrails, outriggers, wheels and/or casters, (leg) caps, back platform frame and chain, and all fasteners (bolts, nuts, etc.). Thoroughly photograph the ladder from multiple angles. Include close range photographs of the rubber leg caps, casters and wheels, all labeling, and all handrail connections. Add the photographs to the record. Collate all photographs and writings into a single file. This file is a record of the ladder in satisfactory condition. Compare the results of all inspections to this Record to determine whether the ladder is in satisfactory condition. Do not use the ladder unless it is in satisfactory condition. Purely cosmetic changes, like damaged paint or powdercoat, are not changes from satisfactory condition. However, touchup paint should be applied as soon as damage occurs.

NATIONAL STANDARDS

This product is a “mobile ladder stand” (MLS). [ANSI standard A14.7](#) (the “Standard”) applies to MLS’s. You *should* acquire a copy of the latest version of the standard. Follow all use and maintenance/care instructions provided in the Standard as well as all other provisions for MLS owners and users. If any content in this manual conflicts with any mandatory provision(s) in the Standard, apply the provision(s) from the Standard.

USING THE LADDER

Review the [SAFETY INSTRUCTIONS](#) on [p. 3](#) before using the ladder.

Inspect the ladder before each use for damage, such as unusual wear, deterioration, or corrosion. Tighten loose nuts. If a lock nut has been partially or completely unfastened, replace it with a new lock nut.

Make sure there are no children in the area where the ladder is used or stored.

Climbing the ladder:

ONLY use this ladder on solid, level ground. Never use the ladder on angled surfaces. The ladder must not wobble or lean while in use. Only climb the ladder when the steps and handrails are clean and dry.

The rubber caps on the front legs must solidly contact the ground. The caps are provided to help the ladder resist movement during use. Confirm solid contact between the entire bottom surface of each cap and the floor before climbing the ladder. Do not use the ladder if either or both of the rubber caps are damaged (worn, cracked, torn, or cut through by the front legs (see [STEP 3](#) on p. 15). Remove the ladder from service until new caps are installed.

Face the ladder and grasp the handrails while ascending or descending the steps. Do not lean against the handrails, the guardrails (around the top of the ladder), or the cross bar or chain. Do not lean over the handrails, guardrails, or cross bar.

To move the ladder, grasp either the handrails or the side rails. Carefully lift the front of the ladder off of the ground. Ladders with more steps are heavier and therefore require more effort to move. Only attempt to lift and move the ladder if you are able to comfortably lift it and can easily control it.

INSPECTIONS & MAINTENANCE

Inspections and repairs should only be performed by qualified persons. Compare the results of each inspection to the [RECORD OF SATISFACTORY CONDITION](#) (the “RECORD”). Do not use the ladder unless all parts are in satisfactory condition. Replace parts that are not in satisfactory condition before using the ladder again. **DON’T GUESS! If you have any questions about the condition of your ladder, speak with [TECHNICAL SERVICE](#) personnel.** The phone number is provided on the cover page of this manual. **Never make temporary repairs of damaged or missing parts.** Only use manufacturer-approved replacement parts. DO NOT continue to use the ladder if damage cannot be repaired.

Before each use inspect the ladder for any sustained damage such as impact/collision damage, unusual wear, deterioration, or corrosion. Look for loose connections. Tighten all loose connections. If any lock nut is removed from its bolt, it must be replaced with a new lock nut.

Regular inspections —at least once per month inspect the following items. Replace all parts not in satisfactory condition before returning the ladder to service. DO NOT use the ladder if damage cannot be repaired.

- **Handrails, guardrails, cross bar, snap hooks, and platform chain:** Inspect both handrails. Confirm that they are solidly fastened to the step weldment and to the platform. Each handrail should be straight, rigid, and undamaged. Examine the guardrails around the platform for damage, bends, and cracks. Examine the cross bar and the chain and snap hooks (if included with your ladder model). Confirm that the cross bar

and chain are undamaged and securely fastened to the guard railing. Snap hooks should close automatically.

- **Axle, axle receiver/back leg weldment and wheels:** Make sure that the back leg weldment is undamaged, e.g. not bent, cracked, or warped. Check the wheels. They must not be cracked or significantly worn. Wheels should be vertical (not angled towards or away from the ladder) and should roll smoothly. Make sure that the axle and the axle receiver are undamaged. The wheel retaining cotter pins must be securely fastened to the axle.
- **All frame members (step weldment, back leg weldment, base supports, handrails) and all fasteners (bolts, nuts, pins):** Inspect each frame member weekly for damage like excessive wear, warps, cracks, and other types of damage. All frame pieces should be square, rigid, and free of rust and corrosion. Remove rust with steel wool or a metal bristle brush and apply touch-up paint to the affected area. Check the areas where frame members are bolted together. Check the areas around bolt holes for warps, cracks, etc. Replace all parts that are damaged before using the ladder again.
- **Square (rubber) caps:** Check the caps for cracks, tears, wear, or for the bottoms of the front legs cutting through the caps. Install replacement caps before returning the ladder to service. Even a moderate amount of wear can affect the ability of a cap to resist sliding movement. The entire bottom surface of each cap must contact the floor.
- **Outriggers (11 and 12 step models):** Examine the outriggers and confirm that they are securely fastened to the step weldment. Both outriggers should make solid contact with the ground, i.e. the ladder should not be able to wobble. Confirm that the caps on the outrigger legs are in satisfactory condition.

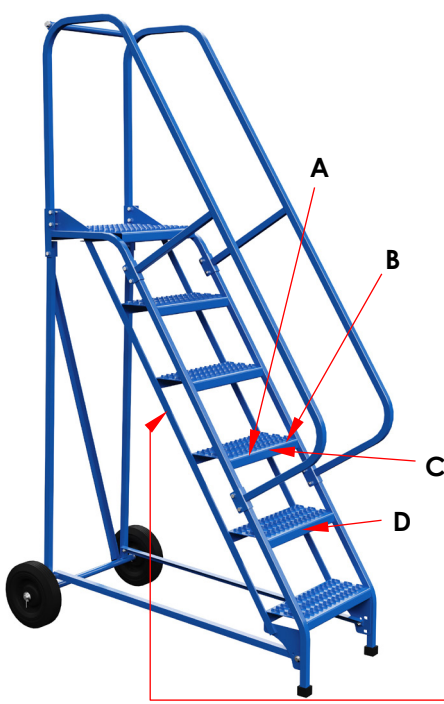
Maintenance: in addition to correcting issues discovered during inspections, maintain the ladder as described below.

- Clean the ladder to remove dirt and grime, especially from step surfaces.
- Lubricate the axle as necessary for the wheels to rotate freely.
- Apply touchup paint wherever the finish is chipped.

LABELING DIAGRAM

Each unit should be labeled as shown in the diagram. Label content and location are subject to change so your product might not be labeled exactly as shown. Compare the diagram below to your [RECORD OF SATISFACTORY CONDITION](#). If there are any differences between actual labeling and this diagram, contact [TECHNICAL SERVICE](#).

Replace all labels that are damaged, missing, or not easily readable (e.g. faded). To order replacement labels or to inquire whether your unit is properly labeled, contact the technical service and parts department online at <https://www.vestil.com/page-parts-request.php> or by calling (260) 665-7586 and asking for the Parts Department.



A: Label 740

▲ WARNING	▲ ADVERTENCIA	▲ AVERTISSEMENT
<ul style="list-style-type: none"> • Do not use near live electric lines • Do not climb rails or lean over rails • Do not use if damaged or worn • Use ladder on level, smooth surfaces only 	<ul style="list-style-type: none"> • No use cerca de líneas eléctricas • No se suba o se asome en la barandilla • No use si está dañado o gastado • Use la escalera en superficies a nivel y lisas 	<ul style="list-style-type: none"> • Ne pas utiliser près des lignes électriques sous tension • Ne pas grimper sur ou vous pencher des rails • Ne pas utiliser si endommagée ou usagée • Utiliser l'échelle seulement sur des surfaces plates et lisses

B: Label 1153

MODEL / MODÉLO / MODÈLE _____	
WEIGHT / PESO / MASS _____	
CAPACITY / CAPACIDAD / CAPACITÉ _____	
SERIAL / SERIE / SÉRIE _____	
UNITS: 2.2 lb. = 1kg	1" (or 1in.) = 2.54cm
	1153

C: Label 729A



D: Label 821



NOTE: To provide access to this manual for all persons who use this ladder, a protected copy of the manual should be attached to the ladder. For example, a copy of the manual can be placed inside a transparent plastic pouch or folder that is tied to the ladder frame. An appropriate place to tie the folder to the frame is on the side rail next to the step where label 821 is applied.



LIMITED WARRANTY

Vestil Manufacturing Corporation ("Vestil") warrants this product to be free of defects in material and workmanship during the warranty period. Our warranty obligation is to provide a replacement for a defective, original part covered by the warranty after we receive a proper request from the Warrantee (you) for warranty service.

Who may request service?

Only a warrantee may request service. You are a warrantee if you purchased the product from Vestil or from an authorized distributor AND Vestil has been fully paid.

Definition of "original part"?

An original part is a part used to make the product as shipped to the Warrantee.

What is a "proper request"?

A request for warranty service is proper if Vestil receives: 1) a photocopy of the Customer Invoice that displays the shipping date; AND 2) a written request for warranty service including your name and phone number. Send requests by one of the following methods:

<u>US Mail</u>	<u>Fax</u>	<u>Email</u>
Vestil Manufacturing Corporation 2999 North Wayne Street, PO Box 507 Angola, IN 46703	(260) 665-1339 <u>Phone</u> (260) 665-7586	info@vestil.com Enter "Warranty service request" in subject field.

In the written request, list the parts believed to be defective and include the address where replacements should be delivered. After Vestil receives your request for warranty service, an authorized representative will contact you to determine whether your claim is covered by the warranty. Before providing warranty service, Vestil will require you to send the entire product, or just the defective part (or parts), to its facility in Angola, IN.

What is covered under the warranty?

The warranty covers defects in the following original, dynamic parts: motors, hydraulic pumps, motor controllers, and cylinders. It also covers defects in original parts that wear under normal usage conditions ("wearing parts"), such as bearings, hoses, wheels, seals, brushes, and batteries.

How long is the warranty period?

The warranty period for original dynamic components is 1 year. For wearing parts, the warranty period is 90 days. Both warranty periods begin on the date Vestil ships the product to the Warrantee. If the product was purchased from an authorized distributor, the periods begin when the distributor ships the product. Vestil may, at its sole discretion, extend a warranty period for products shipped from authorized distributors by up to 30 days to account for shipping time.

If a defective part is covered by the warranty, what will Vestil do to correct the problem?

Vestil will provide an appropriate replacement for any covered part. An authorized representative of Vestil will contact you to discuss your claim.

What is not covered by the warranty?

The Warrantee (you) is responsible for paying labor costs and freight costs to return the product to Vestil for warranty service.

Events that automatically void this Limited Warranty.

- Misuse;
- Negligent assembly, installation, operation or repair;
- Installation/use in corrosive environments;
- Inadequate or improper maintenance;
- Damage sustained during shipping;
- Collisions or other accidents that damage the product;
- Unauthorized modifications: Do not modify the product IN ANY WAY without first receiving written authorization from Vestil.

Do any other warranties apply to the product?

Vestil Manufacturing Corp. makes no other express warranties. All implied warranties are disclaimed to the extent allowed by law. Any implied warranty not disclaimed is limited in scope to the terms of this Limited Warranty. Vestil makes no warranty or representation that this product complies with any state or local design, performance, or safety code or standard. Noncompliance with any such code or standard is not a defect in material or workmanship.