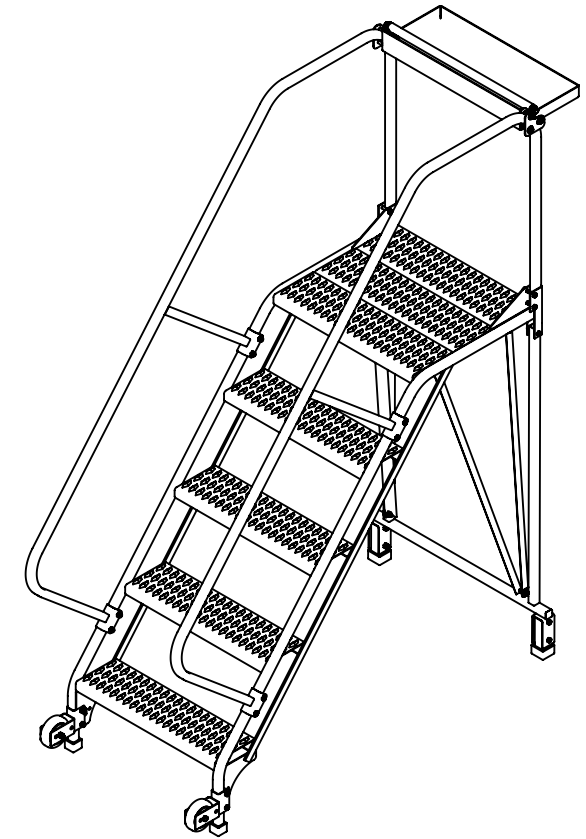
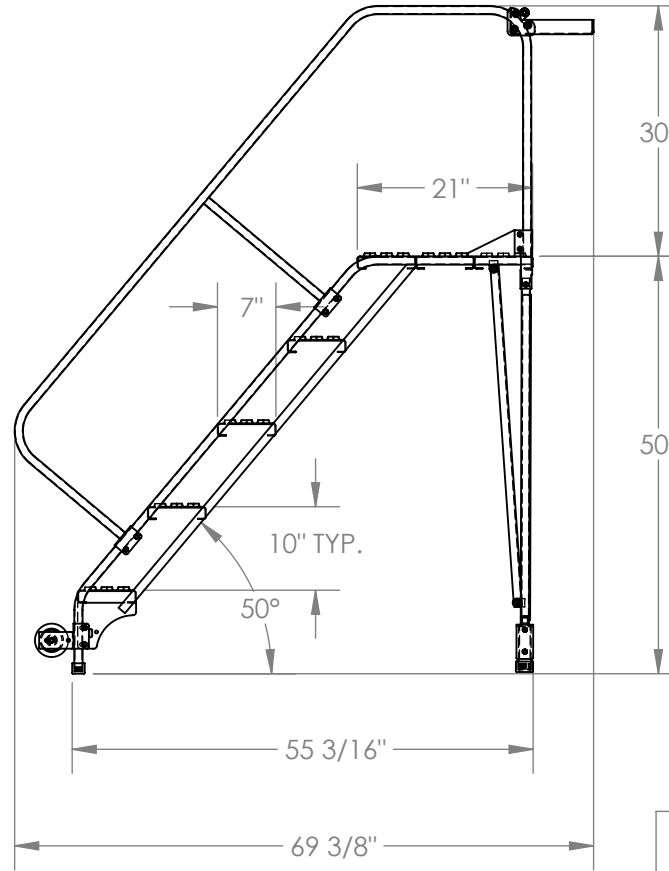
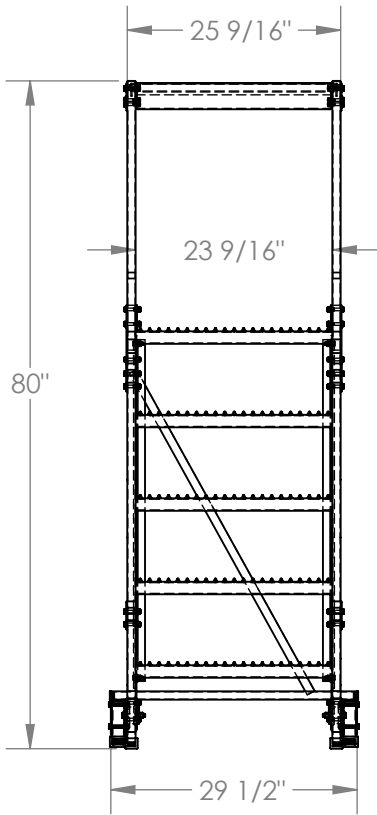


# TIP-N-ROLL MOBILE LADDER, STRADDLE- LAD-TRS-50-5-G

APPROX WEIGHT: 140.70 lbs. DOES NOT INCLUDE WEIGHT OF POWER OR PACKAGING!!!

\*\*\* ANY ADDITIONS, DELETIONS, OR OMISSIONS MUST BE CORRECTED ON THIS DRAWING AS THIS DRAWING WILL BE CONSIDERED ALL INCLUSIVE \*\*\*

ALL GRAPHICS PROVIDED ARE FOR REFERENCE ONLY. IF CERTAIN DIMENSIONS ARE CRITICAL PLEASE VERIFY THOSE DIMENSIONS WITH YOUR SALESPERSON



DIMENSION TOLERANCE ± 1/4"

## STANDARD FEATURES

MODEL NUMBER IS LAD-TRS-50-5-G  
 OVERALL WIDTH IS 29 1/2"  
 USABLE WIDTH IS 23 9/16"  
 OVERALL LENGTH  
 W/ TOOL TRAY IS 69 3/8"  
 USABLE LENGTH IS 55 3/16"  
 OVERALL HEIGHT IS 80"  
 PLATFORM HEIGHT IS 50"  
 COLOR IS VESTIL BLUE  
 STEP TYPE IS GRIP STRUT  
 CLIMB ANGLE IS 50°  
 STEP DIMENSION IS 24" x 7"  
 TOP STEP DIMENSION IS 24" x 21"  
 MAX CAPACITY IS 350 LBS

## SPECIAL FEATURES

NONE

## NOTE

SOME ASSEMBLY REQUIRED

APPROVAL

I, THE UNDERSIGNED, AGREE THAT THE PRODUCT AS REPRESENTED SATISFIES DESIGN AND DIMENSION REQUIREMENTS. I ALSO ACKNOWLEDGE MY DUTY TO CONFIRM PRODUCT AND INSTALLATION COMPLIANCE WITH ALL APPLICABLE FEDERAL, STATE AND LOCAL REGULATIONS AND STANDARDS.  
**ALL SPECIAL UNITS ARE NON-RETURNABLE**  
 As drawn       As marked

Signed: \_\_\_\_\_ Date: \_\_\_\_\_

LEAD TIME WILL START UPON RECEIPT OF SIGNED APPROVAL DRAWING

FOR INTERNAL USE ONLY PROJECT SIGN OFF	
SALES	
ENG.	
FAB.	
POWER	

DISTRIBUTOR'S NAME:		P.O.#
VESTIL MANUFACTURING		X
DRAWN BY: B.NOTHNAGEL		DATE: 8/26/2015
REFERENCE: X		SCALE: 1:23
QUOTED LEAD TIME: X		QUOTE #
		X
		FILE NAME:
		44-007-349