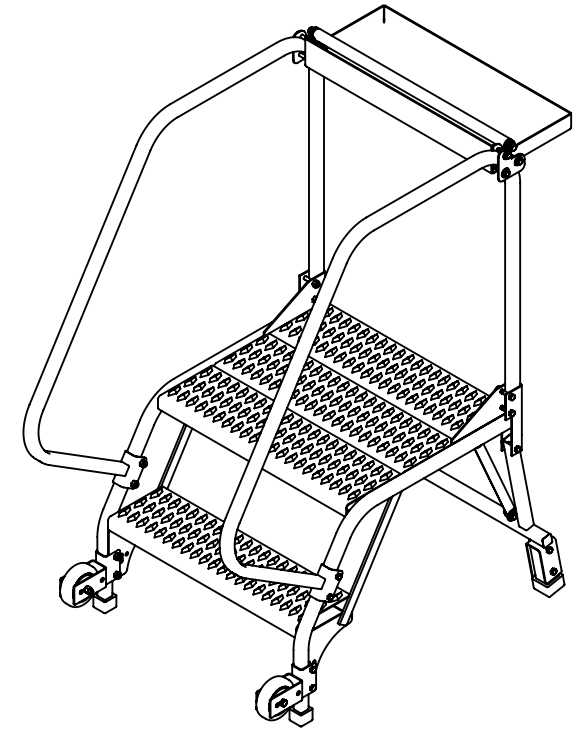
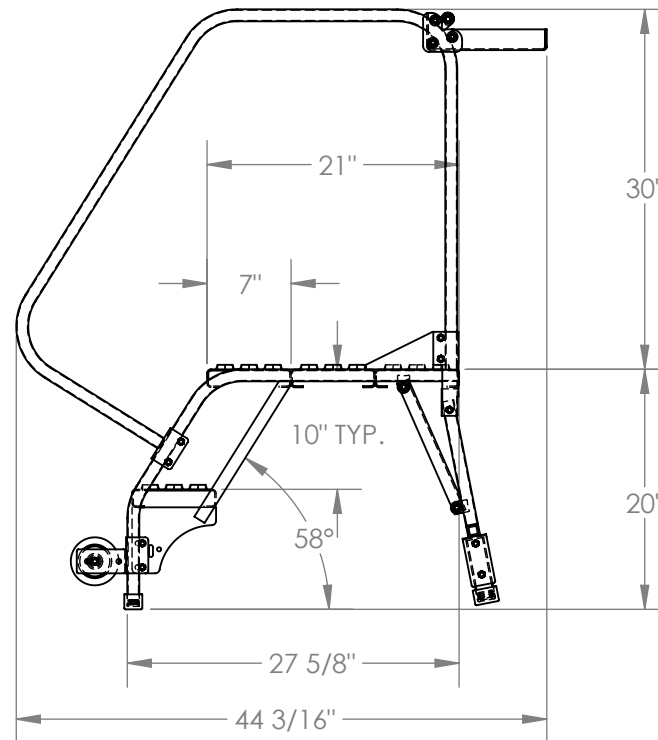
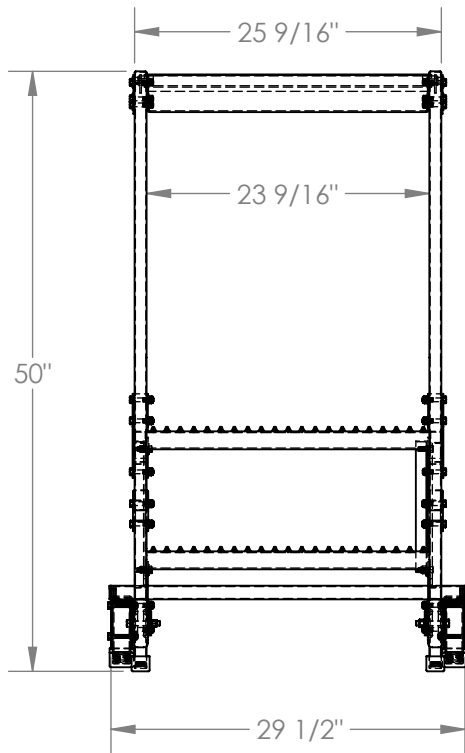


# TIP-N-ROLL MOBILE LADDER, STRADDLE- LAD-TRS-60-2-G

APPROX WEIGHT: 84.73 lbs.  
DOES NOT INCLUDE WEIGHT OF POWER OR PACKAGING!!!

\*\*\* ANY ADDITIONS, DELETIONS, OR OMISSIONS MUST BE CORRECTED ON THIS DRAWING AS THIS DRAWING WILL BE CONSIDERED ALL INCLUSIVE \*\*\*

ALL GRAPHICS PROVIDED ARE FOR REFERENCE ONLY. IF CERTAIN DIMENSIONS ARE CRITICAL PLEASE VERIFY THOSE DIMENSIONS WITH YOUR SALESPERSON



DIMENSION TOLERANCE ± 1/4"

## STANDARD FEATURES

MODEL NUMBER IS LAD-TRS-60-2-G  
 OVERALL WIDTH IS 29 1/2"  
 USABLE WIDTH IS 23 9/16"  
 OVERALL LENGTH  
 W/ TOOL TRAY IS 44 3/16"  
 USABLE LENGTH IS 27 5/8"  
 OVERALL HEIGHT IS 50"  
 PLATFORM HEIGHT IS 20"  
 COLOR IS VESTIL BLUE  
 STEP TYPE IS GRIP STRUT  
 CLIMB ANGLE IS 58°  
 STEP DIMENSION IS 24" x 7"  
 TOP STEP DIMENSION IS 24" x 21"  
 MAX CAPACITY IS 350 LBS

## SPECIAL FEATURES

NONE

## NOTE

SOME ASSEMBLY REQUIRED

APPROVAL

I, THE UNDERSIGNED, AGREE THAT THE PRODUCT AS REPRESENTED SATISFIES DESIGN AND DIMENSION REQUIREMENTS. I ALSO ACKNOWLEDGE MY DUTY TO CONFIRM PRODUCT AND INSTALLATION COMPLIANCE WITH ALL APPLICABLE FEDERAL, STATE AND LOCAL REGULATIONS AND STANDARDS.  
**ALL SPECIAL UNITS ARE NON-RETURNABLE**  
 As drawn       As marked

Signed: \_\_\_\_\_ Date: \_\_\_\_\_

LEAD TIME WILL START UPON RECEIPT OF SIGNED APPROVAL DRAWING

FOR INTERNAL USE ONLY PROJECT SIGN OFF	
SALES	
ENG.	
FAB.	
POWER	

DISTRIBUTOR'S NAME: <b>VESTIL MANUFACTURING</b>		P.O.# X
DRAWN BY: B.NOTHNAGEL      DATE: 8/24/2015		W.O.# X
REFERENCE: X	SCALE: 1:16	SALES: X
QUOTED LEAD TIME: X	QUOTE # X	FILE NAME: 44-007-387