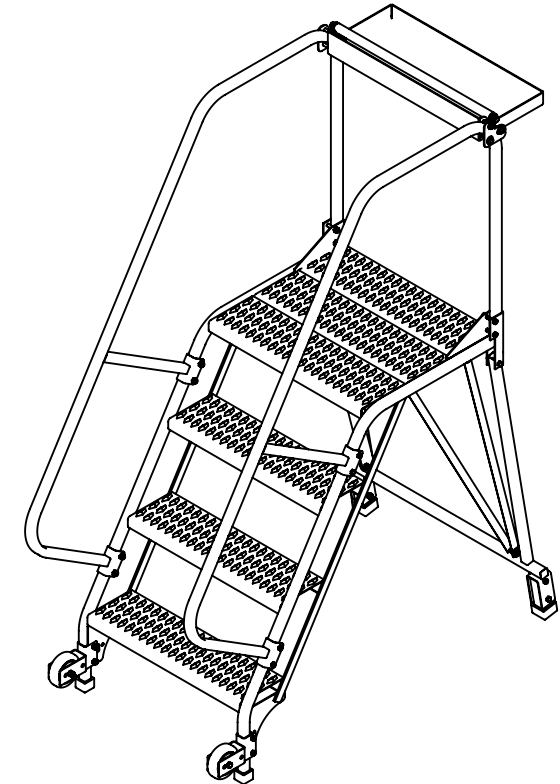
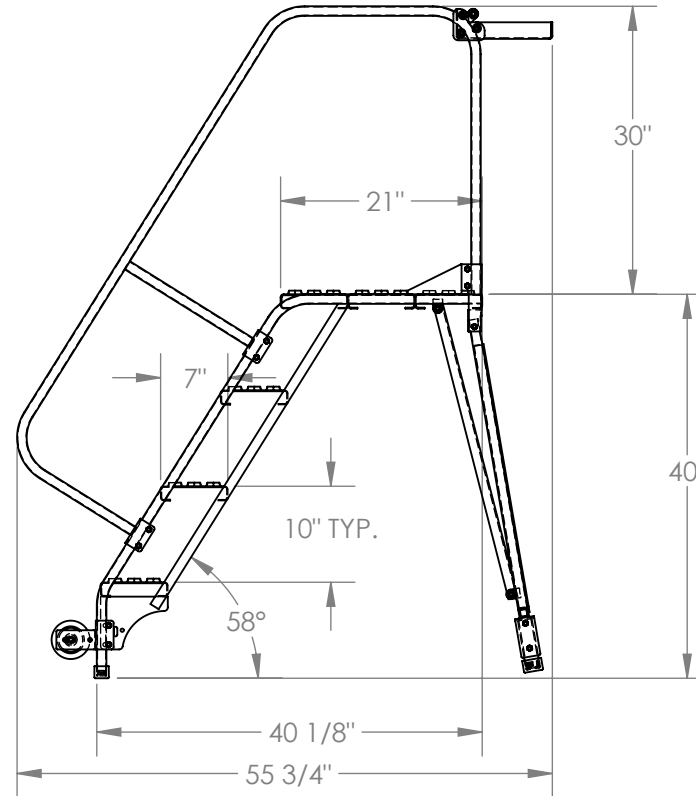
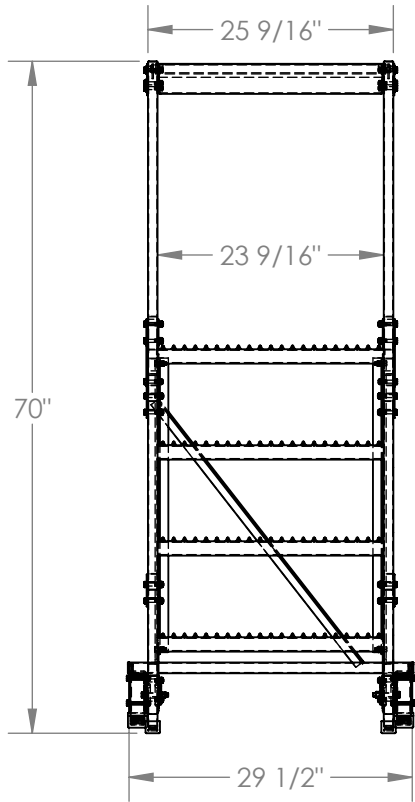


# TIP-N-ROLL MOBILE LADDER, STRADDLE- LAD-TRS-60-4-G

APPROX WEIGHT: 121.89 lbs.  
DOES NOT INCLUDE WEIGHT OF POWER OR PACKAGING!!!

\*\*\* ANY ADDITIONS, DELETIONS, OR OMISSIONS MUST BE CORRECTED ON THIS DRAWING AS THIS DRAWING WILL BE CONSIDERED ALL INCLUSIVE \*\*\*

ALL GRAPHICS PROVIDED ARE FOR REFERENCE ONLY. IF CERTAIN DIMENSIONS ARE CRITICAL PLEASE VERIFY THOSE DIMENSIONS WITH YOUR SALESPERSON



DIMENSION TOLERANCE ± 1/4"

## STANDARD FEATURES

MODEL NUMBER IS LAD-TRS-60-4-G  
 OVERALL WIDTH IS 29 1/2"  
 USABLE WIDTH IS 23 9/16"  
 OVERALL LENGTH  
 W/ TOOL TRAY IS 55 3/4"  
 USABLE LENGTH IS 40 1/8"  
 OVERALL HEIGHT IS 70"  
 PLATFORM HEIGHT IS 40"  
 COLOR IS VESTIL BLUE  
 STEP TYPE IS GRIP STRUT  
 CLIMB ANGLE IS 58°  
 STEP DIMENSION IS 24" x 7"  
 TOP STEP DIMENSION IS 24" x 21"  
 MAX CAPACITY IS 350 LBS

## SPECIAL FEATURES

NONE

## NOTE

SOME ASSEMBLY REQUIRED

APPROVAL

I, THE UNDERSIGNED, AGREE THAT THE PRODUCT AS REPRESENTED SATISFIES DESIGN AND DIMENSION REQUIREMENTS. I ALSO ACKNOWLEDGE MY DUTY TO CONFIRM PRODUCT AND INSTALLATION COMPLIANCE WITH ALL APPLICABLE FEDERAL, STATE AND LOCAL REGULATIONS AND STANDARDS.  
**ALL SPECIAL UNITS ARE NON-RETURNABLE**  
 As drawn       As marked

Signed: \_\_\_\_\_ Date: \_\_\_\_\_

LEAD TIME WILL START UPON RECEIPT OF SIGNED APPROVAL DRAWING

| FOR INTERNAL USE ONLY<br>PROJECT SIGN OFF |  |
|---|--|
| SALES                                     |  |
| ENG.                                      |  |
| FAB.                                      |  |
| POWER                                     |  |

|                       |  |                       |
|-----------------------|--|-----------------------|
| DISTRIBUTOR'S NAME:   |  | P.O.#                 |
| VESTIL MANUFACTURING  |  | X                     |
| DRAWN BY: B.NOTHNAGEL |  | DATE: 8/24/2015       |
| REFERENCE: X          |  | SCALE: 1:20           |
| QUOTED LEAD TIME: X   |  | QUOTE # X             |
|                       |  | FILE NAME: 44-007-391 |