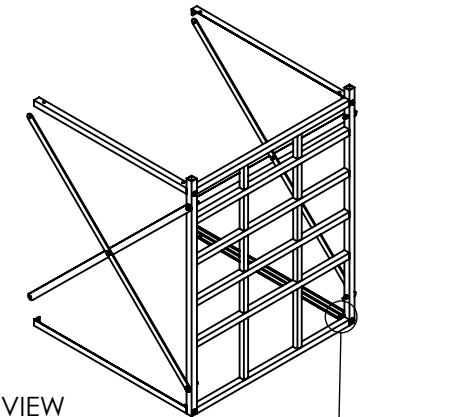
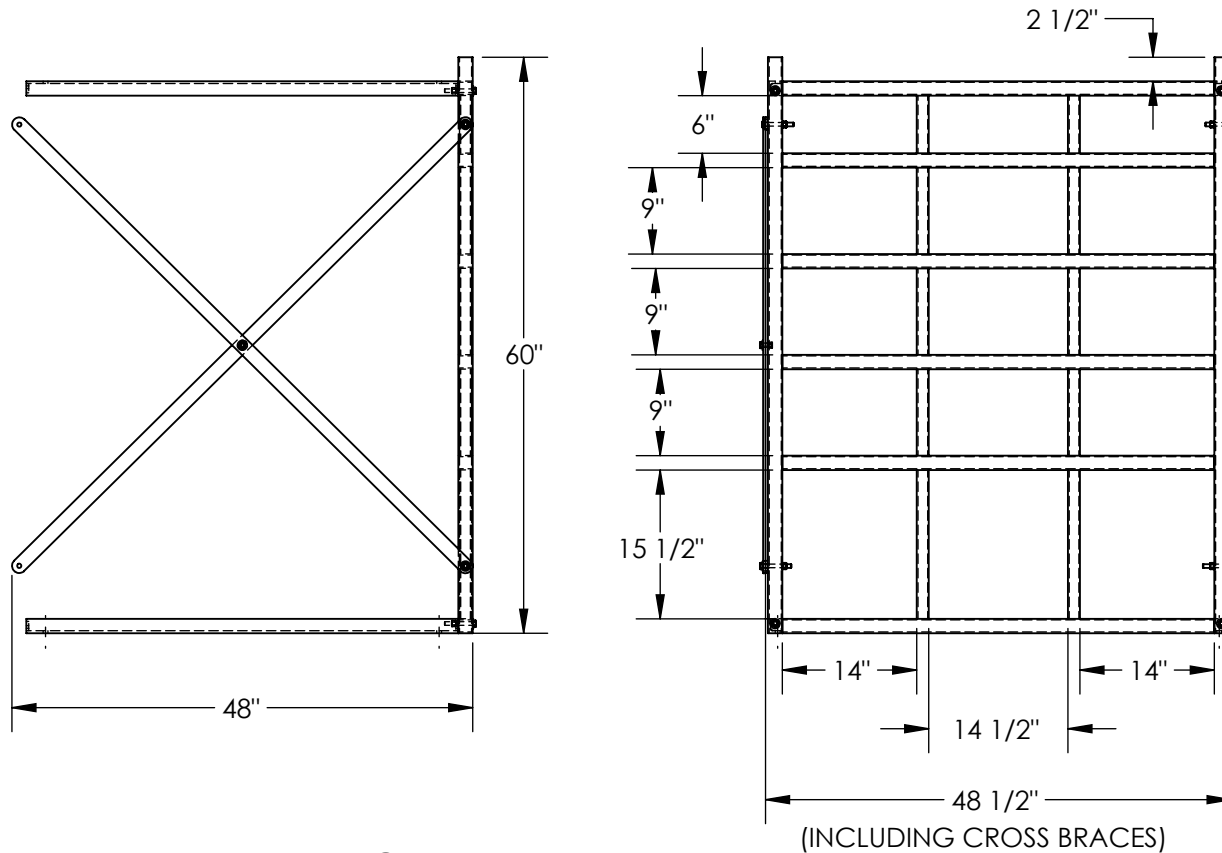


LONG BAR PIGEON HOLE RACK - LBPH-EXT

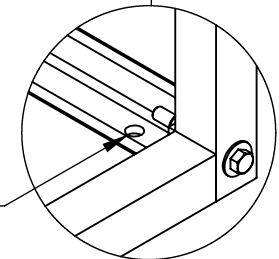
APPROX WEIGHT: 153.18 lbs.
 DOES NOT INCLUDE WEIGHT OF POWER OR PACKAGING!!!

*** ANY ADDITIONS, DELETIONS, OR OMISSIONS MUST BE CORRECTED ON THIS DRAWING AS THIS DRAWING WILL BE CONSIDERED ALL INCLUSIVE ***

ALL GRAPHICS PROVIDED ARE FOR REFERENCE ONLY. IF CERTAIN DIMENSIONS ARE CRITICAL PLEASE VERIFY THOSE DIMENSIONS WITH YOUR SALESPERSON



3D VIEW
 SCALE 1:40



DETAIL A
 SCALE 1:5

Ø1/2" MOUNTING HOLE
 (4) TOTAL,
 (1) IN EACH CORNER

DIMENSION TOLERANCE ± 1/4"

STANDARD FEATURES

- MODEL NUMBER IS LBPH-EXT
- OVERALL WIDTH IS 48 1/2"
- OVERALL LENGTH IS 48"
- OVERALL HEIGHT IS 60"
- NUMBER OF BAYS IS 15
- CAPACITY IS 2,000 LBS PER LEVEL WITH A MAX CAPACITY OF 7,700 LBS PER FRAME
- 1 1/2" X 1 1/2" X 11 GA BOX TUBING CONSTRUCTION
- TOUGH BAKED IN POWDER COATED BLUE FINISH
- MUST ATTACH TO LBPH-77

SPECIAL FEATURES

NONE

APPROVAL	I, THE UNDERSIGNED, AGREE THAT THE PRODUCT AS REPRESENTED SATISFIES DESIGN AND DIMENSION REQUIREMENTS. I ALSO ACKNOWLEDGE MY DUTY TO CONFIRM PRODUCT AND INSTALLATION COMPLIANCE WITH ALL APPLICABLE FEDERAL, STATE AND LOCAL REGULATIONS AND STANDARDS.	
	ANY MODIFIED UNITS ARE NON-RETURNABLE	
	[] As drawn [] As marked	
Signed: _____		Date: _____
Printed Name: _____		
LEAD TIME WILL START UPON RECEIPT OF SIGNED APPROVAL DRAWING		

FOR INTERNAL USE ONLY PROJECT SIGN OFF	
SALES	
ENG.	
FAB.	
POWER	

DISTRIBUTOR'S NAME:		P.O.#
VESTIL MANUFACTURING		X
DRAWN BY: KGH		W.O.#
DATE: 7/25/2018		X
REFERENCE: X	SCALE: 1:20	SALES: X
QUOTED LEAD TIME: X	QUOTE #	FILE NAME:
	X	31-007-284