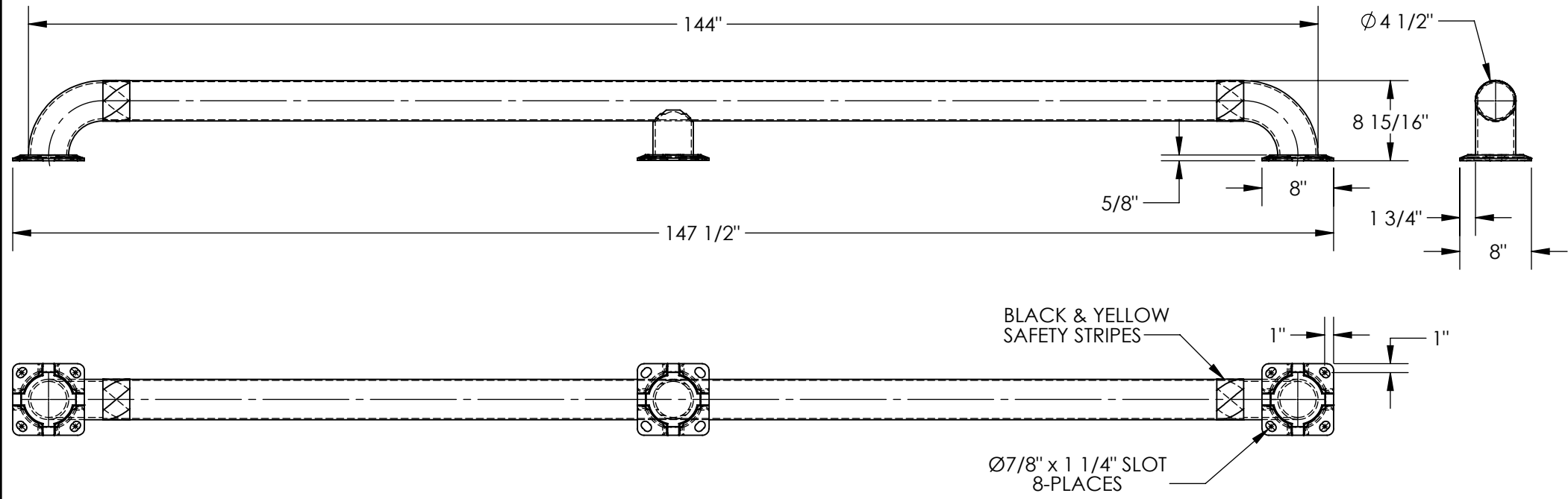


LOW PROFILE MACHINERY GUARD - LPRO-144-9-4

APPROX WEIGHT: 95.15 lbs.
DOES NOT INCLUDE WEIGHT OF POWER OR PACKAGING!!!

*** ANY ADDITIONS, DELETIONS, OR OMISSIONS MUST BE CORRECTED ON THIS DRAWING AS THIS DRAWING WILL BE CONSIDERED ALL INCLUSIVE ***
ALL GRAPHICS PROVIDED ARE FOR REFERENCE ONLY. IF CERTAIN DIMENSIONS ARE CRITICAL PLEASE VERIFY THOSE DIMENSIONS WITH YOUR SALESPERSON



BLACK & YELLOW
SAFETY STRIPES

Ø7/8" x 1 1/4" SLOT
8-PLACES

DIMENSION TOLERANCE ± 1/4"

STANDARD FEATURES

MODEL NUMBER IS: LPRO-144-9-4
MACHINE GUARD HEIGHT IS: 8 15/16"
MACHINE GUARD LENGTH: 144"
MACHINE GUARD DIAMETER: Ø4 1/2"
OVERALL LENGTH IS: 147 1/2"
INCLUDES 3 MOUNTING BRACKETS
TOUGH BAKED IN POWDER COATED
YELLOW FINISH
BLACK AND YELLOW SAFETY STRIPES
ALL STEEL CONSTRUCTION
(ASTM A-36 MIN.) WITH
WELDING TO MEET AWS
WARNING: CHECK APPLICABLE STATE &
LOCAL LAWS FOR YOUR AREA

SPECIAL FEATURES

NONE

APPROVAL

I, THE UNDERSIGNED, AGREE THAT THE PRODUCT AS REPRESENTED SATISFIES DESIGN AND DIMENSION REQUIREMENTS. I ALSO ACKNOWLEDGE MY DUTY TO CONFIRM PRODUCT AND INSTALLATION COMPLIANCE WITH ALL APPLICABLE FEDERAL, STATE AND LOCAL REGULATIONS AND STANDARDS.
UNITS REQUIRING APPROVAL DRAWINGS OR MODIFIED ARE NON-RETURNABLE
[] As drawn [] As marked

Signed: _____ Date: _____

Printed Name: _____

LEAD TIME WILL START UPON RECEIPT OF SIGNED APPROVAL DRAWING

DISTRIBUTOR'S NAME:		P.O.#
VESTIL MANUFACTURING		X
DRAWN BY: ND		W.O.#
DATE: 8/13/2015		X
REFERENCE: X	SCALE: 1:16	SALES: X
QUOTED LEAD TIME: X	QUOTE #	FILE NAME:
	X	23-007-026-001