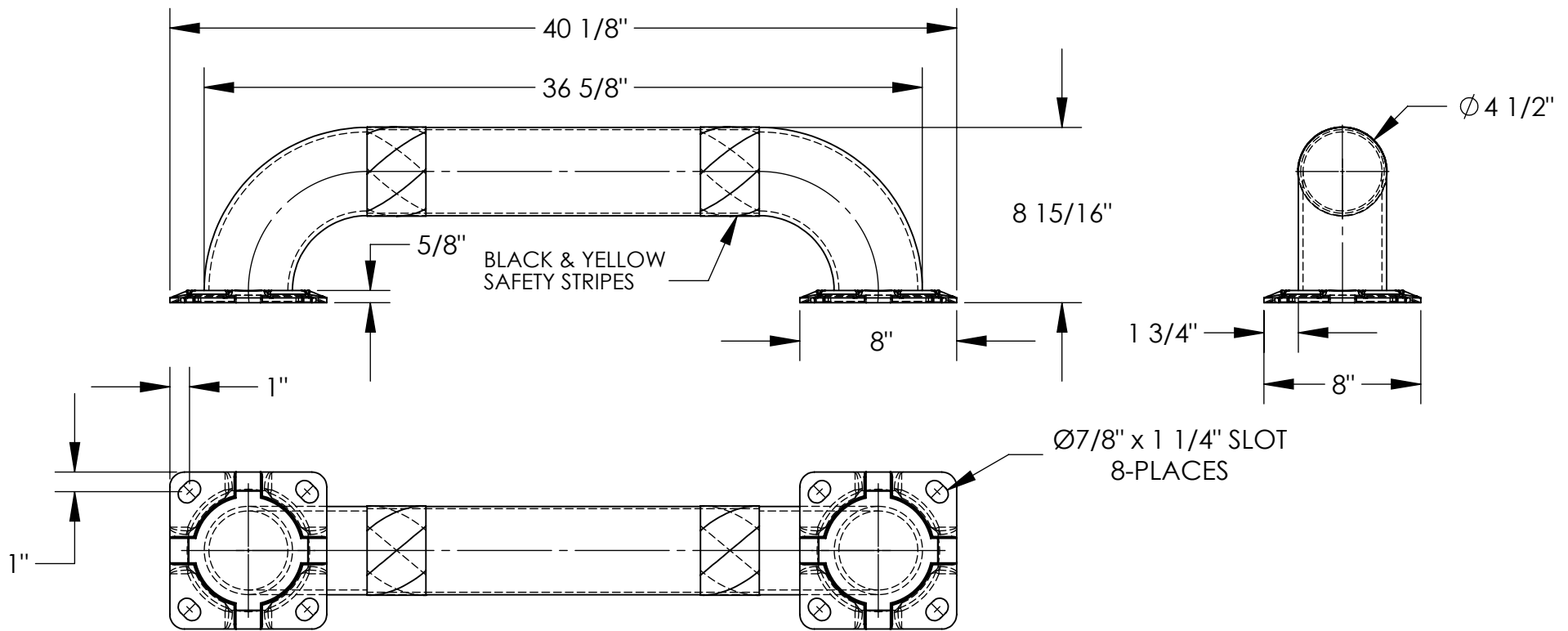


LOW PROFILE MACHINERY GUARD - LPRO-SS-36-9-4

APPROX WEIGHT: 36.48 lbs.
 DOES NOT INCLUDE WEIGHT OF POWER OR PACKAGING!!!

*** ANY ADDITIONS, DELETIONS, OR OMISSIONS MUST BE CORRECTED ON THIS DRAWING AS THIS DRAWING WILL BE CONSIDERED ALL INCLUSIVE ***

ALL GRAPHICS PROVIDED ARE FOR REFERENCE ONLY. IF CERTAIN DIMENSIONS ARE CRITICAL PLEASE VERIFY THOSE DIMENSIONS WITH YOUR SALESPERSON



DIMENSION TOLERANCE ± 1/4"

STANDARD FEATURES

- MODEL NUMBER IS LPRO-SS-36-9-4
- MACHINE GUARD HEIGHT: 8 15/16"
- MACHINE GUARD LENGTH: 36 5/8"
- MACHINE GUARD DIAMETER: Ø4 1/2"
- OVERALL LENGTH IS: 40 1/8"
- INCLUDES 2 MOUNTING BRACKETS
- MATERIAL/FINISH: STAINLESS STEEL
- BLACK AND YELLOW SAFETY STRIPES

SPECIAL FEATURES

NONE

WELDING TO MEET AWS
 WARNING: CHECK APPLICABLE STATE & LOCAL LAWS FOR YOUR AREA

APPROVAL

I, THE UNDERSIGNED, AGREE THAT THE PRODUCT AS REPRESENTED SATISFIES DESIGN AND DIMENSION REQUIREMENTS. I ALSO ACKNOWLEDGE MY DUTY TO CONFIRM PRODUCT AND INSTALLATION COMPLIANCE WITH ALL APPLICABLE FEDERAL, STATE AND LOCAL REGULATIONS AND STANDARDS.

ANY MODIFIED UNITS ARE NON-RETURNABLE

As drawn As marked

Signed: _____ Date: _____

Printed Name: _____

LEAD TIME WILL START UPON RECEIPT OF SIGNED APPROVAL DRAWING

| | |
|---|--|
| FOR INTERNAL USE ONLY PROJECT SIGN OFF | |
| SALES | |
| ENG. | |
| FAB. | |
| POWER | |

| | | |
|----------------------|------------|----------------|
| DISTRIBUTOR'S NAME: | | P.O.# |
| VESTIL MANUFACTURING | | X |
| DRAWN BY: ND | | W.O.# |
| DATE: 6/2/2005 | | X |
| REFERENCE: X | SCALE: 1:8 | SALES: X |
| QUOTED LEAD TIME: X | QUOTE # | FILE NAME: |
| | X | 23-007-057-002 |