



## VESTIL MANUFACTURING CORP.

2999 North Wayne Street, P.O. Box 507, Angola, IN 46703

Telephone: (260) 665-7586 -or- Toll Free (800) 348-0868

Fax: (260) 665-1339

[www.vestilmfg.com](http://www.vestilmfg.com) e-mail: [sales@vestil.com](mailto:sales@vestil.com)

# LTS-ET LIFT TRUCK SWIVELING SEAT MOUNT INSTALLATION MANUAL



### **Receiving instructions:**

After delivery, IMMEDIATELY remove the packaging from the product in a manner that preserves the packaging and maintains the orientation of the product in the packaging; then inspect the product closely to determine whether it sustained damage during transport. **If damage is discovered during the inspection, immediately record a complete description of the damage on the bill of lading.** If the product is undamaged, discard the packaging.

### **NOTES:**

- 1) Compliance with laws, regulations, codes, and non-voluntary standards enforced in the location where the product is *used* is exclusively the responsibility of the owner/end-user.
- 2) VESTIL is **not liable** for any injury or property damage that occurs as a consequence of failing to apply the instructions in this manual.

Vestil is not responsible for *any* consequential damages sustained as a result of failing to exercise sound judgment while installing, using or maintaining this product.

### **Table of Contents**

Signal Words.....	2
Safe use recommendations.....	2
FIG. 1: Exploded parts diagram and bill of materials.....	2
Installation instructions.....	3
Operation.....	3
Inspections & Maintenance.....	3
Limited warranty.....	4

## SIGNAL WORDS:

This manual uses SIGNAL WORDS to indicate the likelihood of personal injuries, as well as the probable seriousness of those injuries, if the product is misused in the ways described. Other signal words call attention to uses of the product likely cause property damage. The signal words used in this manual appear below along with the meaning of each word:

- DANGER** Identifies a hazardous situation which, if not avoided, **WILL** result in **DEATH** or **SERIOUS INJURY**. Use of this signal word is limited to the most extreme situations.
- WARNING** Identifies a hazardous situation which, if not avoided, **COULD** result in **DEATH** or **SERIOUS INJURY**.
- CAUTION** Indicates a hazardous situation which, if not avoided, **COULD** result in **MINOR** or **MODERATE** injury.
- NOTICE** Identifies practices likely to result in product/property damage, such as operation that might damage the shed.

## Safe Use Recommendations:

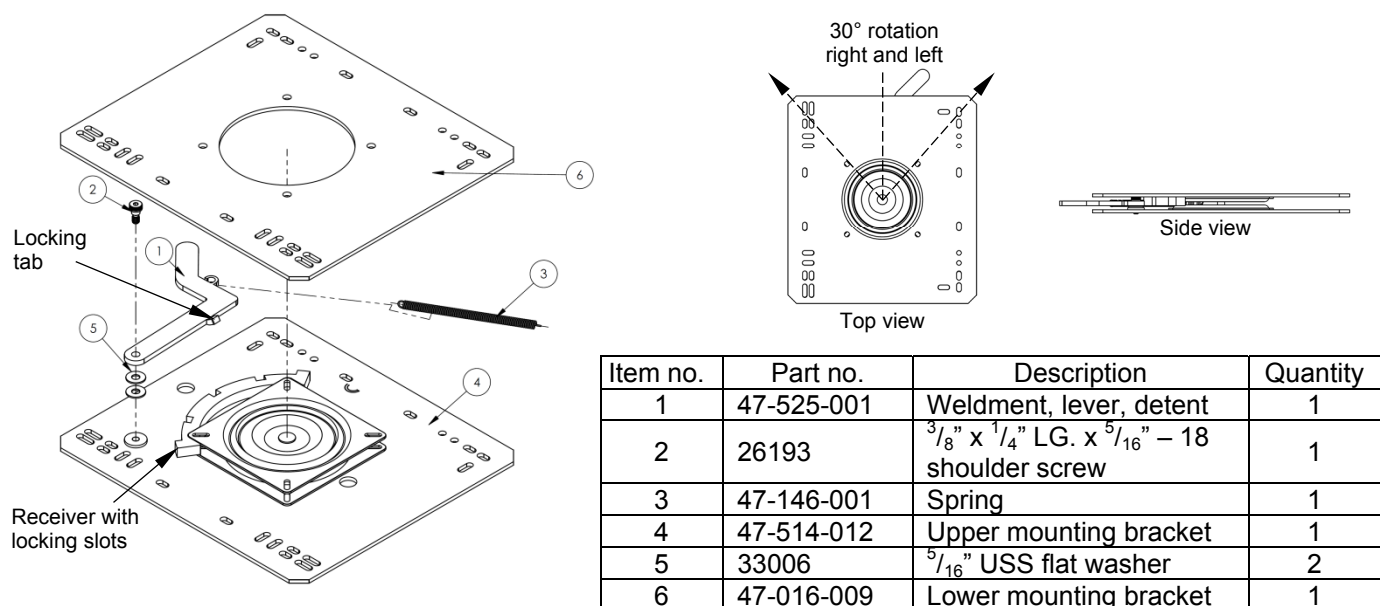
**WARNING** Vestil strives to identify foreseeable hazards associated with the use of its products. However, no manual can address every possible risk. The end-user ultimately is responsible for exercising sound judgment at all times. If this product is installed improperly or carelessly, serious personal injuries could result.

- ***Failure to read and understand the entire manual before installing, using or servicing the product constitutes misuse.***
- DO NOT use the swivel mount if the detent lever does not properly seat into the locking slots in the receiver. The locking tab must seat securely within the locking slots surface must be able to support the ladder and a full capacity load. ONLY use the ladder on level, even surfaces
- Inspect the product as described in “Inspections & Maintenance” on p. 3. DO NOT use this swivel mount mechanism if the inspection reveals damage. DO NOT use the product until it is fully restored to normal condition. If the product cannot be restored to normal operating condition, replace it. Do not continue to use the damaged swivel mount during the period before the replacement is installed.
- DO NOT use the product if any unusual noise or movement is observed while weight is applied to it. Remove the unit from service.
- DO NOT modify this device in any way! Unauthorized modifications automatically void the limited warranty and might make the product unsafe to use.

**NOTICE** This product must be properly maintained to function properly.

- Keep the product clean & dry.
- Lubricate the pivot point as necessary for seat to rotate normally.

**FIG. 1:** Exploded parts diagram and bill of materials



## Installation:

The mounting brackets (see items numbered 4 & 6 on p. 2) have a series of slots to allow the swivel mechanism to attach to a variety of fork trucks and seats. However, it is possible that no slots align with the bolt holes of either or both of the fork truck and seat. In that case, mark the mounting plates with the bolt pattern and drill new holes in the appropriate mounting plate(s).

1. Immobilize the fork truck: Set the parking break and disconnect electrical power. Disconnect the emergency shutoff switch located beneath the seat, if applicable.
2. Remove the seat: Remove the bolts (typically 4) that connect the seat to the truck; then take out the seat.
3. Fasten the swivel mechanism to the fork truck: Align slots in the lower swivel bracket with the bolt holes in the fork truck. Notice that the detent lever should face forward and point to the right as shown in the "Top view" diagram above. For ease of access to the slots in the lower bracket, press the detent lever to the left and rotate the upper bracket until the locking tab seats into a locking slot.

NOTE: Riser blocks might be necessary to elevate the swivel mechanism if the seat ordinarily attaches to the fork truck within a recess. Without first installing blocks, the corners of the upper bracket might contact the walls of the recess when the seat rotates. Contact Vestil to order risers, if necessary.

4. Chamfer the bolt slots: Use a  $\frac{3}{4}$ in. drill bit to create a chamfer in the bolt slots directly above the bolt holes in the fork truck. Chamfers allow the bolts to seat flush with the top of the lower bracket. If the bolts protrude above the surface of the lower bracket, the detent lever will contact them and consequently the upper bracket will not be able to rotate completely.
5. Attach the seat to the upper bracket: The front of the seat should be on the same side as the detent lever. Identify the slots in the upper bracket that align with the bolt holes in the bottom of the seat. Attach the seat to the upper bracket using the bolts removed from the seat in step 2. If necessary, shorten the bolts in order for them not to obstruct rotation. This can be accomplished by installing washers between the upper bracket and the seat, by cutting the bolts, or by using shorter bolts.
6. Confirm that the seat rotates properly: Press the detent lever to the left and rotate the seat to the left and the right. The locking tab should be able to seat into the slots at the ends of the receiver (see p. 2).
7. Finish installing the seat: Reconnect the emergency shutoff switch. Make sure that the wiring is long enough to allow the seat to rotate fully from side to side. Also check to make sure that the wiring is not pinched as the seat rotates.

## Operation:

To change the direction of the seat:

- i. Press the detent lever to the left to unseat the locking tab from a locking slot;
- ii. Rotate the seat to the left or right as desired;
- iii. Release the lever. Adjust the position of the seat to allow the locking tab to seat into the appropriate locking slot in the receiver.

## Inspections & Maintenance:

Regular inspections and maintenance are necessary to keep the device in normal working condition. After installing the product, make a record of how the mechanism operates to establish At least once per month, inspect the following:

- Frame: inspect the upper and lower bracket, detent lever (and its retaining hardware) for excessive wear, warps, or cracks. All frame pieces should be square, rigid, and free from rust and corrosion. Remove rust with a steel bristle brush and apply a thin layer of oil to the surfaces.
- Bolts: examine the bolts and the bolt holes in the fork truck, upper and lower brackets, and the seat. Confirm that all connections are solid. Check for elongations or other warping around bolt holes/slots. When tightened, bolts should not be able to wobble. Replace any bolt that is damaged.
- Spring: the spring must recoil forcefully when the detent lever is released. Replace the spring if it is damaged and does not adequately secure the locking tab in the locking slots (see p. 2).

## LIMITED WARRANTY

Vestil Manufacturing Corporation ("Vestil") warrants this product to be free of defects in material and workmanship during the warranty period. *Our warranty obligation is to provide a replacement for a defective original part if the part is covered by the warranty, after we receive a proper request from the warrantee (you) for warranty service.*

### Who may request service?

Only a warrantee may request service. *You are a warrantee if* you purchased the product from Vestil or from an authorized distributor AND Vestil has been fully paid.

### What is an "original part"?

An original part is a part used to make the product as shipped to the warrantee.

### What is a "proper request"?

A request for warranty service is proper if Vestil receives: 1) a photocopy of the Customer Invoice that displays the shipping date; AND 2) a written request for warranty service including your name and phone number. Send requests by any of the following methods:

<u>Mail</u>	<u>Fax</u>	<u>Email</u>
Vestil Manufacturing Corporation 2999 North Wayne Street, PO Box 507 Angola, IN 46703	(260) 665-1339 <u>Phone</u> (260) 665-7586	sales@vestil.com

In the written request, list the parts believed to be defective and include the address where replacements should be delivered.

### What is covered under the warranty?

After Vestil receives your request for warranty service, an authorized representative will contact you to determine whether your claim is covered by the warranty. Before providing warranty service, Vestil may require you to send the entire product, or just the defective part or parts, to its facility in Angola, IN. The warranty covers defects in the following original dynamic components: motors, hydraulic pumps, electronic controllers, switches and cylinders. It also covers defects in original parts that wear under normal usage conditions ("wearing parts"), such as bearings, hoses, wheels, seals, brushes, and batteries.

### How long is the warranty period?

The warranty period for original dynamic components is 30 days. For wearing parts, the warranty period is 30 days. The warranty periods begin on the date when Vestil ships the product to the warrantee. If the product was purchased from an authorized distributor, the periods begin when the distributor ships the product. Vestil may, at its sole discretion, extend the warranty periods for products shipped from authorized distributors by up to 30 days to account for shipping time.

### If a defective part is covered by the warranty, what will Vestil do to correct the problem?

Vestil will provide an appropriate replacement for any covered part. An authorized representative of Vestil will contact you to discuss your claim.

### What is not covered by the warranty?

1. Labor;
2. Freight;
3. Occurrence of any of the following, which automatically voids the warranty:
  - Product misuse;
  - Negligent operation or repair;
  - Corrosion or use in corrosive conditions;
  - Inadequate or improper maintenance;
  - Damage sustained during shipping;
  - Accidents involving the product;
  - Unauthorized modifications: DO NOT modify the product IN ANY WAY without first receiving written authorization from Vestil. Modification(s) might make the product unsafe to use or might cause excessive and/or abnormal wear.

### Do any other warranties apply to the product?

Vestil Manufacturing Corp. makes no other express warranties. All implied warranties are disclaimed to the extent allowed by law. Any implied warranty not disclaimed is limited in scope to the terms of this Limited Warranty.

