

LINEAR ACTUATORS

T Series

CAPACITY:	27 - 1250 lbs (120 - 5500 N)
SPEED:	0.2 - 1.89 in/s (6 - 48 mm/s)
VOLTAGE:	12, 24 VDC
TEMPERATURE RANGE:	-13°F to 150°F (-25°C to 65°C)
ENVIRONMENTAL RATING:	IP66 protection

Low temperature grease available please consult the factory

FEATURES & BENEFITS

- Safe operation with internal limit switches to stop motion at fully retracted and fully extended positions
- Keyed translating tube eliminates the need for restraining torque
- Withstand the elements with IP66 protection for rugged outdoor environments
- Improved strength from zinc die cast housing
- ETL testing to UL standards provides assurance of safety on the XT Actuator
- XT Actuator includes the manual drive feature to position the actuator without power
- Corrosion resistant, aluminum outer tube

OPTIONS

- Control LT Actuators' motion through wired or wireless handsets
- Sync multiple actuators using an AC controller
- Positioning feedback via potentiometer
- Design custom configurations with our application engineering team

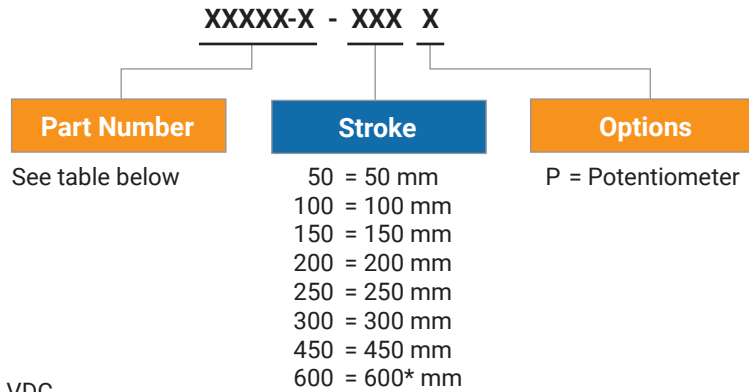


LT



XT

CATALOG NUMBER CONFIGURATION KEY



Example: LT100-1-50P = LT series, 12 VDC, 50 mm stroke, Potentiometer

PART NUMBERS and PRODUCT SPECIFICATIONS

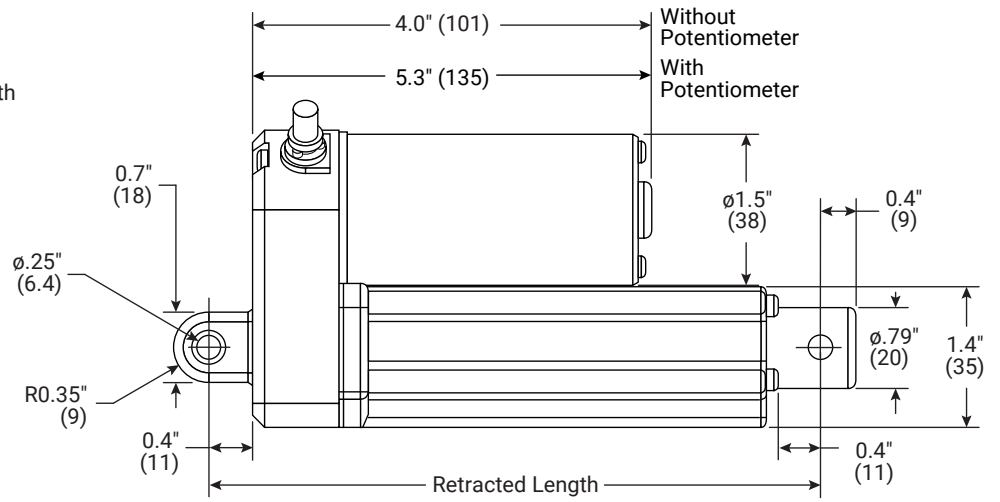
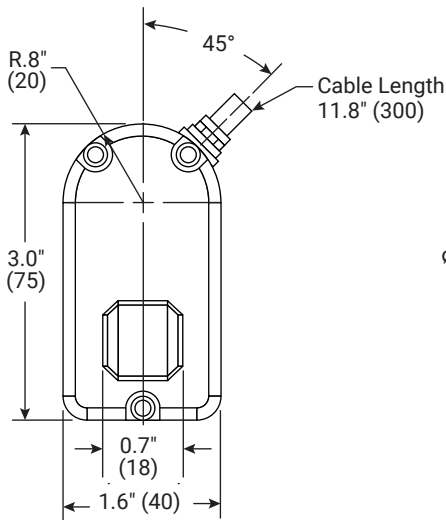
Part Number	Series	Voltage	Dynamic Rated Load	Available Stroke Length	Speed at Rated Load	Current Draw at Rated Load	Temp. Range	Restraining Torque	Duty Cycle at Rated Load	Screw	Mechanical Brake	Clutch	Limit Switches
#	Prefix	VDC	lbs (N)	in (mm)	in/s (mm/s)	A	°F (°C)		%	Type			
LT25-1	LT	12	27 (120)	1.9 (50) 3.9 (100) 5.9 (150) 7.9 (200) 9.8 (250) 11.8 (300)	1.3 (33)	2.5	-13 to 150 (-25 to 65)	Keyed	20	ACME	—	—	Included
LT50-1		12	54 (240)		0.9 (23)	3.5	-13 to 150 (-25 to 65)	Keyed	20	ACME	—	—	Included
LT100-1		12	112 (500)		0.5 (12)	3.5	-13 to 150 (-25 to 65)	Keyed	20	ACME	—	—	Included
LT150-1		12	169 (750)		0.3 (8)	3.5	-13 to 150 (-25 to 65)	Keyed	20	ACME	—	—	Included
LT225-1		12	225 (1000)		0.2 (6)	3.5	-13 to 150 (-25 to 65)	Keyed	20	ACME	—	—	—
LT25-2	LT	24	27 (120)	1.9 (50) 3.9 (100) 5.9 (150) 7.9 (200) 9.8 (250) 11.8 (300)	1.3 (33)	1.5	-13 to 150 (-25 to 65)	Keyed	20	ACME	—	—	Included
LT50-2		24	54 (240)		0.9 (23)	2	-13 to 150 (-25 to 65)	Keyed	20	ACME	—	—	Included
LT100-2		24	112 (500)		0.5 (12)	2	-13 to 150 (-25 to 65)	Keyed	20	ACME	—	—	Included
LT150-2		24	169 (750)		0.3 (8)	2	-13 to 150 (-25 to 65)	Keyed	20	ACME	—	—	Included
LT225-2		24	225 (1000)		0.2 (6)	2	-13 to 150 (-25 to 65)	Keyed	20	ACME	—	—	—
XT450-2	XT	24	450 (2000)	5.9 (150) 11.8 (300) 17.7 (450) 23.6 (600)*	.88 (22.3)	7.5	-13 to 150 (-25 to 65)	Keyed	25	ACME	—	—	Included
XT750-2		24	750 (3300)		.44 (11.1)	8.0	-13 to 150 (-25 to 65)	Keyed	25	ACME	—	—	Included
XT1250-2		24	1250 (5500)		.24 (6.1)	6.8	-13 to 150 (-25 to 65)	Keyed	25	ACME	—	—	Included

*Stroke length on 600mm with POT is 22.4 in. (570mm)

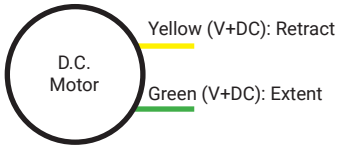


DIMENSIONAL DRAWINGS and WIRING DIAGRAMS

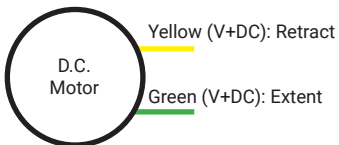
LT Series Dimensional Drawings



Standard Model Wiring Diagram

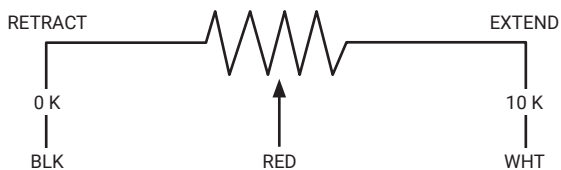


Potentiometer Model Wiring Diagram



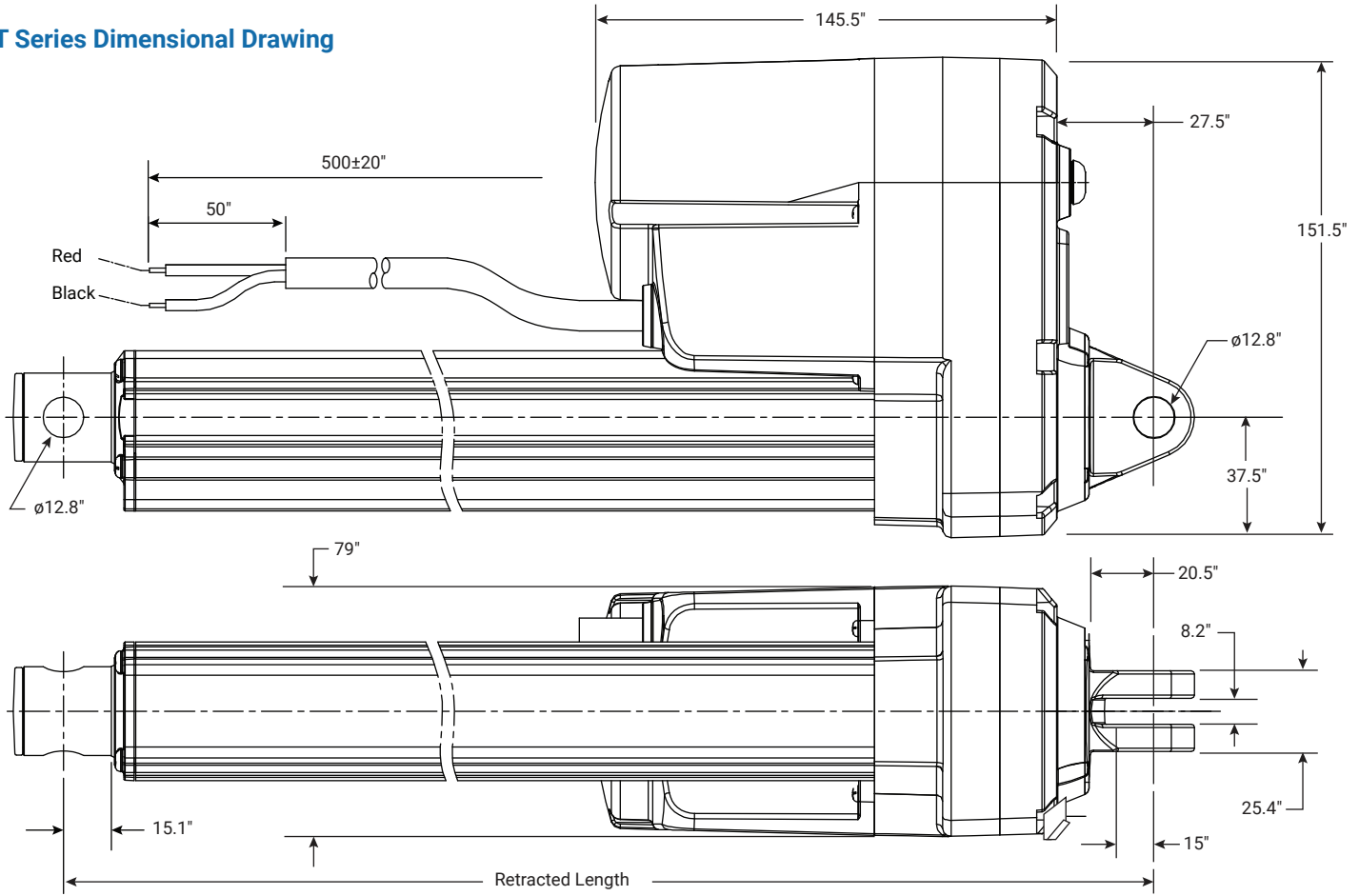
Series	Stroke Length	Without POT		With POT	
		Retracted Length		Retracted Length	
		in	mm	in	mm
LT	50	6.1	155	7.4	189
	100	8	205	9.4	239
	150	10	255	11.4	289
	200	12	307	13.4	341
	250	14	357	15.4	391
	300	16	407	17.4	441

Potentiometer Stroke mm (in)	50 (1.97)	100 (3.94)	150 (5.91)	200 (7.87)	250 (9.84)	300 (11.81)
POT Travel (% of 10K)	47%	50%	71%	94%	39%	47%

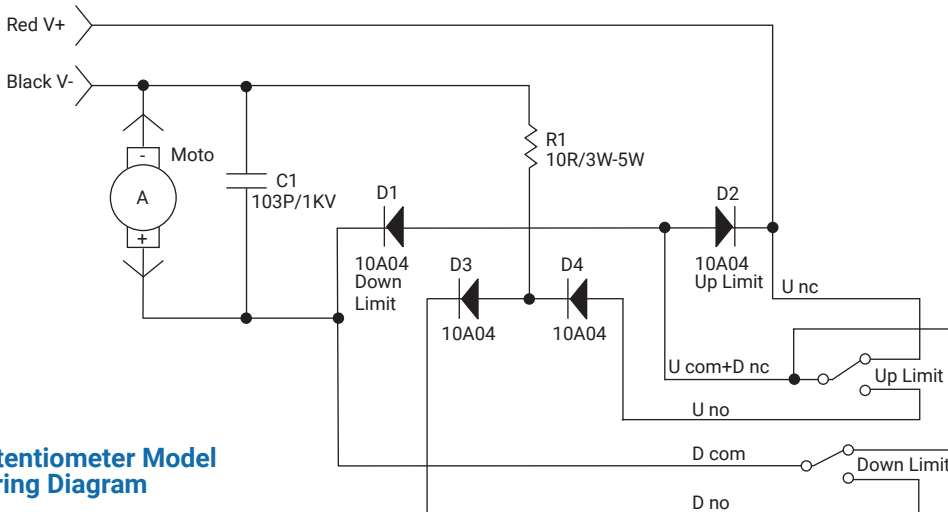


DIMENSIONAL DRAWINGS and WIRING DIAGRAMS

XT Series Dimensional Drawing



Standard Model Wiring Diagram



Series	Stroke Length	Without POT		With POT	
		Retracted Length in	Retracted Length mm	Retracted Length in	Retracted Length mm
XT	150	11.8	284	12.0	304
	300	17.9	454	18.7	474
	450	25.0	634	25.7	654
	600*	32.0	814	32.8	804

*Stroke length on 600 mm with POT is 570mm

Potentiometer Model Wiring Diagram

