



**Vestil Manufacturing Corp.**  
 2999 North Wayne Street, P.O. Box 507, Angola, IN 46703  
 Telephone: (260) 665-7586 -or- Toll Free (800) 348-0868  
 Fax: (260) 665-1339  
 Web: [www.vestilmfg.com](http://www.vestilmfg.com) e-mail: [info@vestil.com](mailto:info@vestil.com)

**MEZZ-200; MEZZ-200-A; MEZZ-200-SS; MEZZ-200-DW;  
 MEZZ-200-DW-A; MEZZ-200-DW-SS  
 Mezzanine Gate Systems**



**Receiving Instructions**

After delivery, remove the packaging from the product. Inspect the product closely to determine whether it sustained damage during transport. If damage is discovered, record a complete description of it on the bill of lading. If the product is undamaged, discard the packaging.

**NOTE:** The end-user is solely responsible for confirming that product design, use, and maintenance comply with laws, regulations, codes, and mandatory standards applied where the product is used.

**Technical Service & Replacement Parts**

For answers to questions not addressed in these instructions and to order replacement parts, labels, and accessories, call our Technical Service and Parts Department at (260) 665-7586. The department can also be contacted online at [http://www.vestilmfg.com/parts\\_info.htm](http://www.vestilmfg.com/parts_info.htm).

**Electronic copies of Instruction Manuals**

Additional copies of this instruction manual may be downloaded from <https://www.vestil.com/page-manuals.php>.

<b>Table of Contents</b>		<b>Page</b>
Signal Words.....		2
Safety Instructions.....		2
Specifications.....		3
Exploded Views and Bills of Materials.....		4, 5, 6, 7
Installing the Gate System.....		8
Assembling the Gate System.....		9-10
Using the Gate System.....		10
Record of Satisfactory Condition.....		10
Inspecting and Maintaining the System.....		10
Labeling Diagram.....		10
Limited Warranty.....		11

## SIGNAL WORDS

This manual uses SIGNAL WORDS to draw attention to uses of the product that could result in personal injuries, as well as the probable seriousness of those injuries. Other signal words call attention to uses likely to cause property damage. Signal words used in this manual appear below along with the definition of each word.



**DANGER** Identifies a hazardous situation which, if not avoided, **WILL** result in **DEATH** or **SERIOUS INJURY**. Use of this signal word is limited to the most extreme situations.



**WARNING** Identifies a hazardous situation which, if not avoided, **COULD** result in **DEATH** or **SERIOUS INJURY**.



**CAUTION** Indicates a hazardous situation which, if not avoided, **COULD** result in **MINOR** or **MODERATE** injury.



**NOTICE** Identifies practices likely to result in product/property damage, such as operation that might damage the product.

## SAFETY INSTRUCTIONS

Vestil strives to identify all foreseeable hazards associated with the use of its products. However, material handling is dangerous and no manual can address every conceivable risk. The most effective way to prevent injury is to apply sound judgment whenever using this device.



**WARNING** If this product is assembled, installed, and/or used improperly or carelessly, serious personal injuries or death might result.

- Read and understand the entire manual before assembling, installing, using or servicing this gate system. Keep a copy of this manual in an accessible location known to all persons who use the gate system.
- Keep the bottom gate down at all times except when placing or removing materials inside the gate.
- DO NOT modify the product in any way without first obtaining written approval from Vestil. Unapproved modifications automatically void the **LIMITED WARRANTY** (p. 11) and might make the product unsafe to use.
- Inspect the product as described in the **INSPECTING AND MAINTAINING THE SYSTEM** section on p. 10. DO NOT use this product if the gate system is damaged. Examples of damage include, but are not limited to, the following: 1) Cracked, broken or significantly deformed frame members; 2) cracked welds; 3) corrosion, severe wear, or other condition that interferes with normal operating condition. Replace every part that fails to pass an inspection. DO NOT use the product until it is fully restored to normal condition. If the gate cannot be restored to normal condition, permanently remove it from service.
- DO NOT use this device UNLESS all labels are readable and undamaged. See **LABELING DIAGRAM** on p. 10.

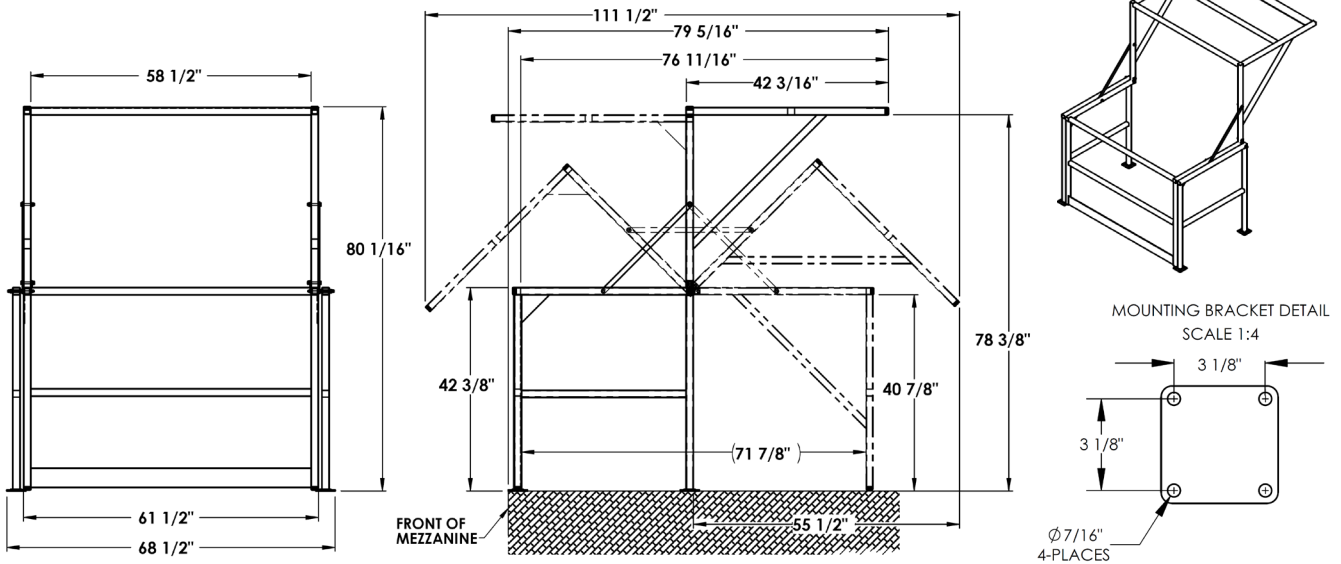


**NOTICE** Proper maintenance is essential for this product to remain in normal condition for as long as possible.

- Keep the product clean & dry.
- Periodically lubricate pivot points.
- Routinely check the soundness of the entire structure. All frame members should be rigid and straight. Fasteners should be securely connected and undamaged.

# SPECIFICATIONS

## MEZZ-200 & MEZZ-200-SS



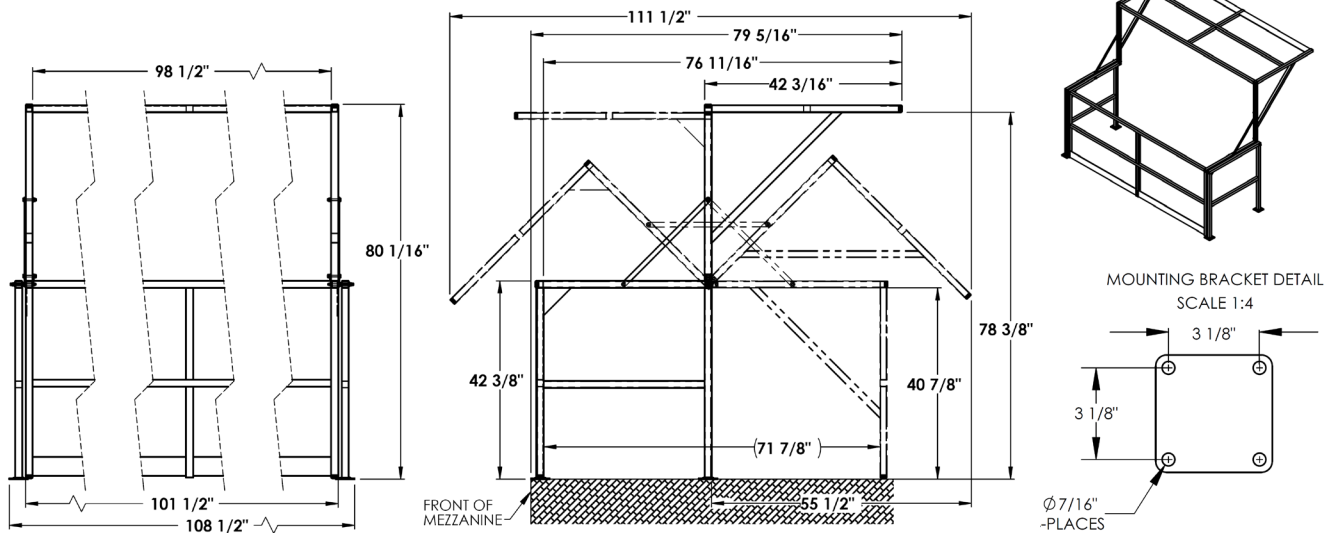
Overall width = 68<sup>1</sup>/<sub>2</sub>"  
 Inside width = 58<sup>1</sup>/<sub>2</sub>"  
 Usable width = 56"  
 Overall depth = 79<sup>5</sup>/<sub>16</sub>"

Inside depth = 76<sup>11</sup>/<sub>16</sub>"  
 Handrail height = 42<sup>3</sup>/<sub>8</sub>"  
 Overall height = 80<sup>1</sup>/<sub>16</sub>"  
 Inside height = 78<sup>3</sup>/<sub>8</sub>"

**Net weight:**  
 MEZZ-200 = 158 lb.  
 MEZZ-200-SS = 161 lb.

**NOTE:** Because the mezzanine gate pivots about an axis in the top rail, the height of items put within the enclosure cannot exceed the radius shown in the diagrams.

## MEZZ-200-DW & MEZZ-200-DW-SS



Overall width = 108<sup>1</sup>/<sub>2</sub>"  
 Inside width = 98<sup>1</sup>/<sub>2</sub>"  
 Usable width = 96"  
 Overall depth = 79<sup>5</sup>/<sub>16</sub>"

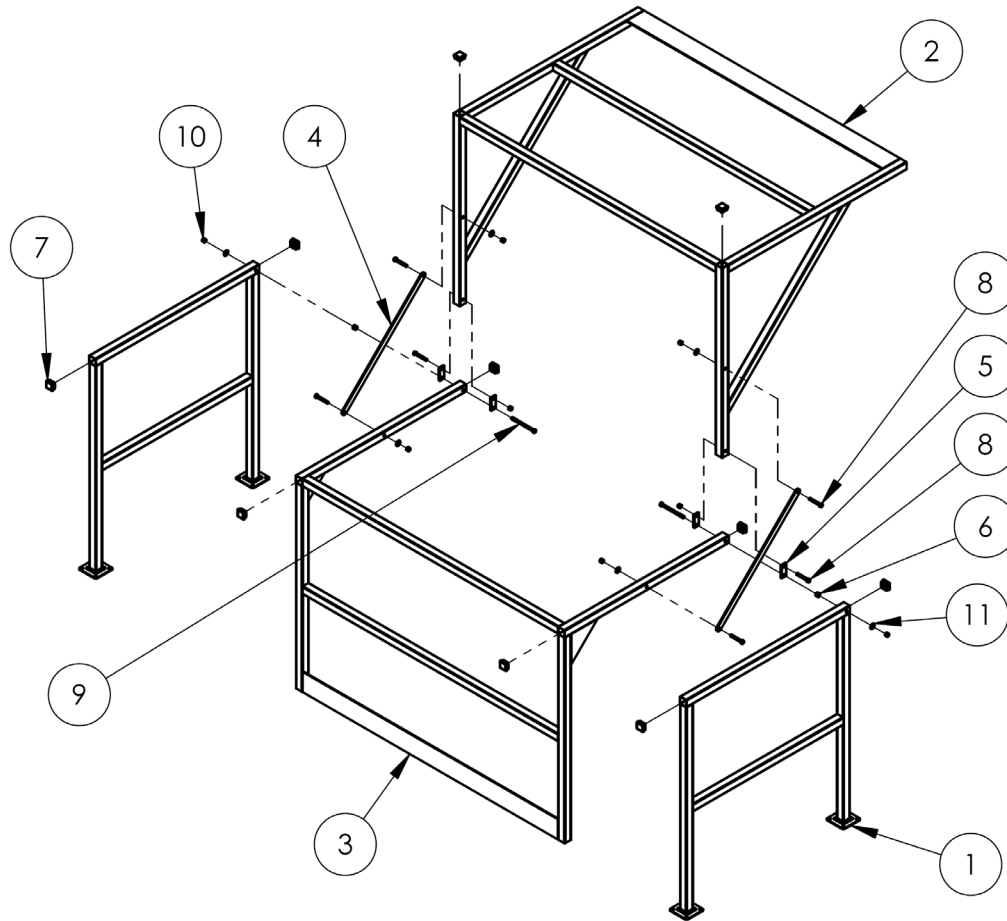
Inside depth = 76<sup>11</sup>/<sub>16</sub>"  
 Handrail height = 42<sup>3</sup>/<sub>8</sub>"  
 Overall height = 80<sup>1</sup>/<sub>16</sub>"  
 Inside height = 78<sup>3</sup>/<sub>8</sub>"

**Net weight:**  
 MEZZ-200-DW = 206 lb.  
 MEZZ-200-DW-SS = 209 lb.

**NOTE:** Because the mezzanine gate pivots about an axis in the top rail, the height of items put within the enclosure cannot exceed the radius shown in the diagrams.

## MEZZ-200 & MEZZ-200-A EXPLODED VIEW AND BILL OF MATERIALS

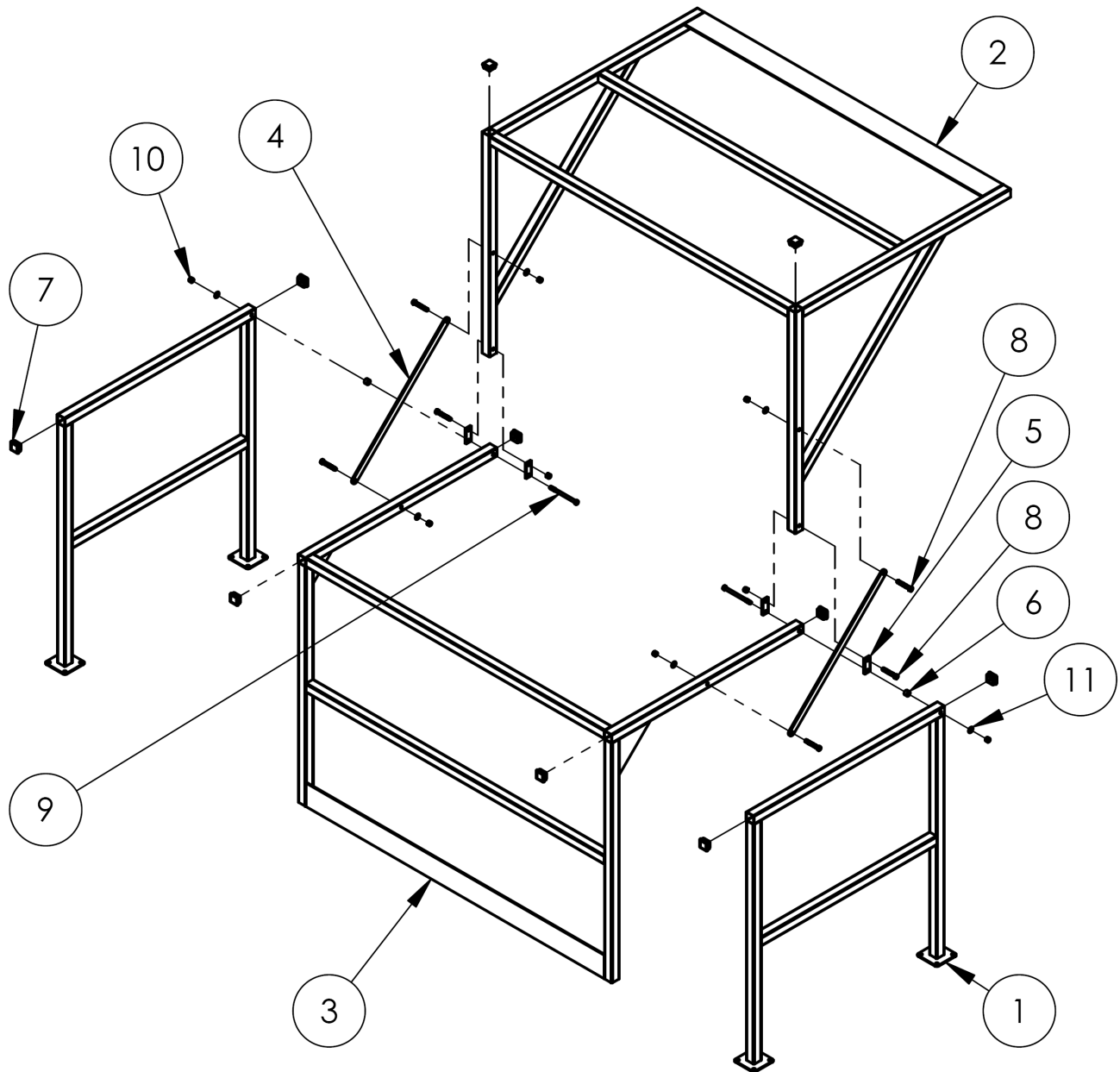
23-006-076; 23-006-755



Item	Part no.	Description	Qty.
1	23-514-106	Weldment, frame, side gate MEZZ-200	2
	23-514-217	MEZZ-200-A	2
2	23-514-005	Weldment, frame, top gate MEZZ-200	1
	23-514-218	MEZZ-200-A	1
3	23-514-006	Weldment, bottom gate MEZZ-200	1
	23-514-219	MEZZ-200-A	1
4	23-014-038	Frame, support brace MEZZ-200	2
	23-014-450	MEZZ-200-A	2
5	23-016-020	Bracket, gate connector bracket MEZZ-200	4
	23-016-229	MEZZ-200-A	4
6	23-113-001	Spacer, gate spacer MEZZ-200	2
	23-113-015	MEZZ-200-A	2
7	21-024-016	Cap, square ribbed inserts	10
8	11113	Hex bolt, grade a, plain finish, $\frac{3}{8}$ "-16x $2\frac{1}{2}$ "	6
9	11123	Hex bolt, grade A, zinc plated, $\frac{3}{8}$ "-16x 5"	2
10	37024	Nylon insert lock nut, grade 2, zinc finish, $\frac{3}{8}$ "-16	8
11	33008	Flat washer, low carbon, USS, zinc plated, $\frac{3}{8}$ "	6
*	23-154-012	Replacement hardware kit (ordered separately)	

## MEZZ-200-SS EXPLODED VIEW AND BILL OF MATERIALS

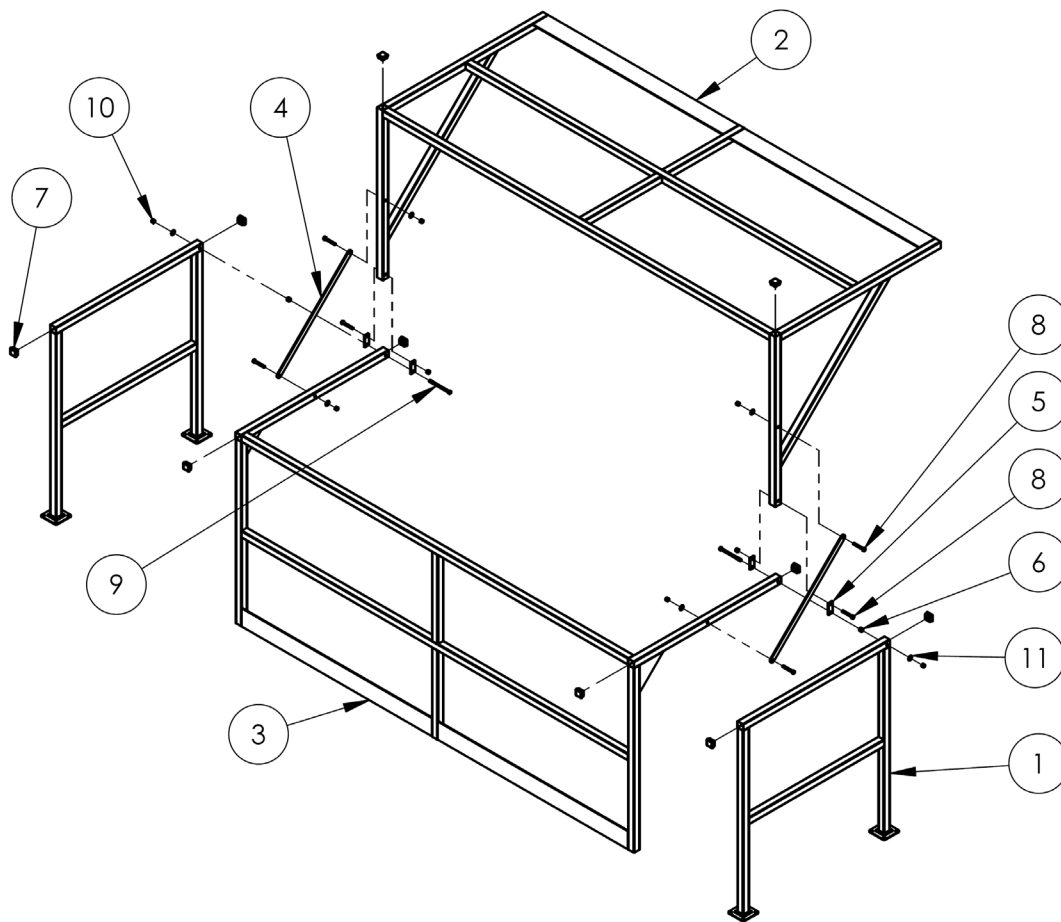
23-006-655



Item	Part no.	Description	Qty.
1	23-514-201	Weldment, frame, side gate	2
2	23-514-197	Weldment, frame, top gate	1
3	23-514-198	Weldment, bottom gate	1
4	23-014-404	Frame, support brace	2
5	23-016-211	Bracket, gate connector	4
6	23-113-009	Spacer, gate spacer	2
7	21-024-016	Cap, square ribbed inserts	10
8	70113	Hex head cap screw, grade 18-8, stainless steel, $\frac{3}{8}$ "-16x $2\frac{1}{2}$ "	6
9	70123	Hex head cap screw, grade 18-8, stainless steel, $\frac{3}{8}$ "-16x 5"	2
10	70862	Nylon insert lock nut, grade 18-8, stainless steel, $\frac{3}{8}$ "-16	8
11	71017	Flat washer, grade 18-8, stainless steel, $\frac{3}{8}$ "	6
*	23-154-018	Replacement hardware kit (ordered separately)	

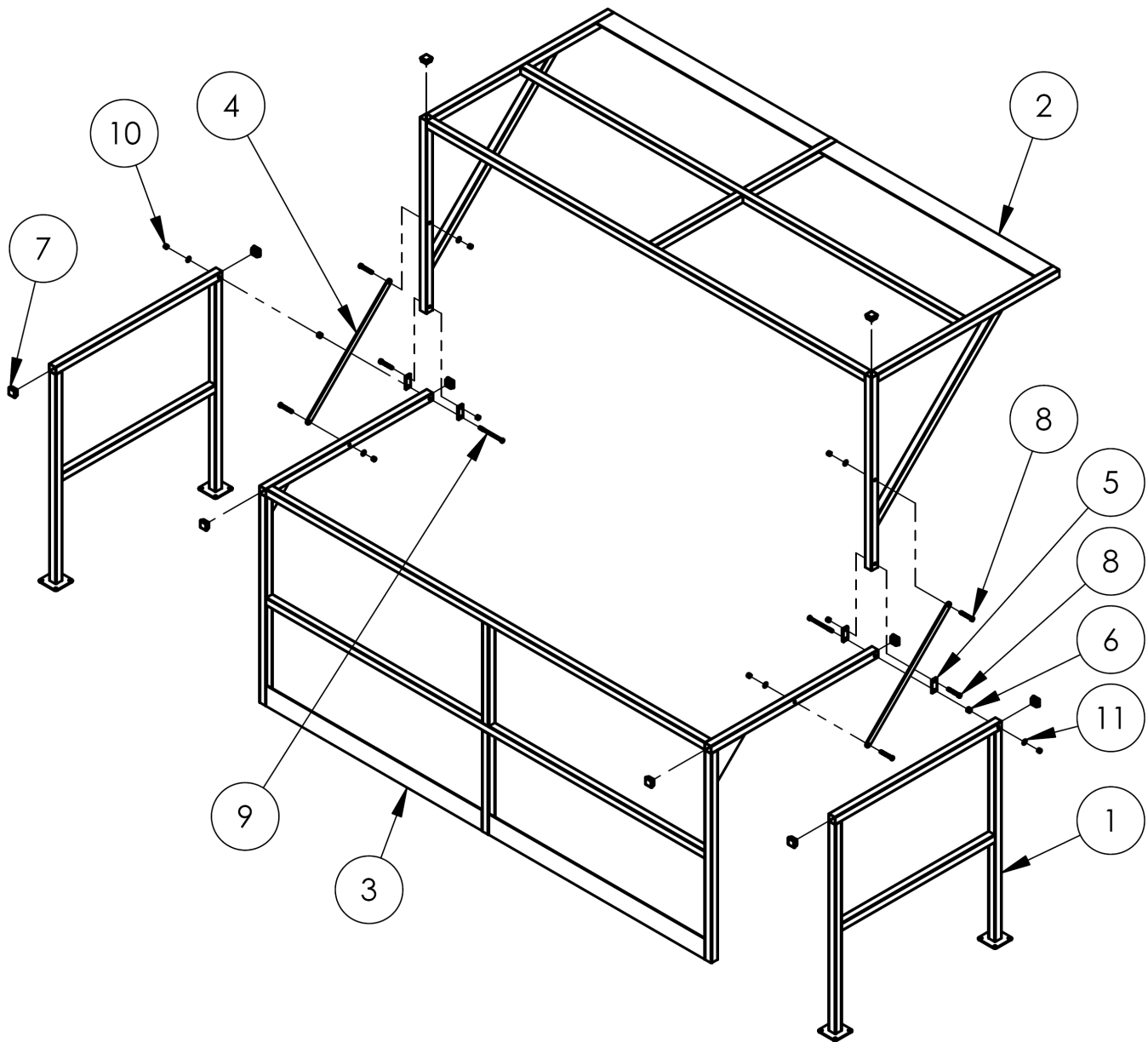
# MEZZ-200-DW & MESS-200-DW-A EXPLODED VIEW AND BILL OF MATERIALS

23-006-654; 23-006-756



Item	Part no.	Description	Qty.
1	23-514-106	Weldment, frame, side gate	2
	23-514-217	MEZZ-200-DW MEZZ-200-DW-A	2
2	23-514-195	Weldment, frame, top gate	1
	23-514-220	MEZZ-200-DW MEZZ-200-DW-A	1
3	23-514-196	Weldment, bottom gate	1
	23-514-221	MEZZ-200-DW MEZZ-200-DW-A	1
4	23-014-038	Frame, support brace	2
	23-014-450	MEZZ-200-DW MEZZ-200-DW-A	2
5	23-016-020	Bracket, frame	4
	23-016-229	MEZZ-200-DW MEZZ-200-DW-A	4
6	23-113-001	Spacer, gate spacer	2
	23-113-015	MEZZ-200-DW MEZZ-200-DW-A	2
7	21-024-016	Cap, square ribbed inserts	10
8	11113	Hex bolt, grade a, plain finish, $\frac{3}{8}$ "-16x $2\frac{1}{2}$ "	6
9	11123	Hex bolt, grade A, zinc plated, $\frac{3}{8}$ "-16x 5"	2
10	37024	Nylon insert lock nut, grade 2, zinc finish, $\frac{3}{8}$ "-16	8
11	33008	Flat washer, low carbon, USS, zinc plated, $\frac{3}{8}$ "	6
*	23-154-012	Replacement hardware kit (ordered separately)	

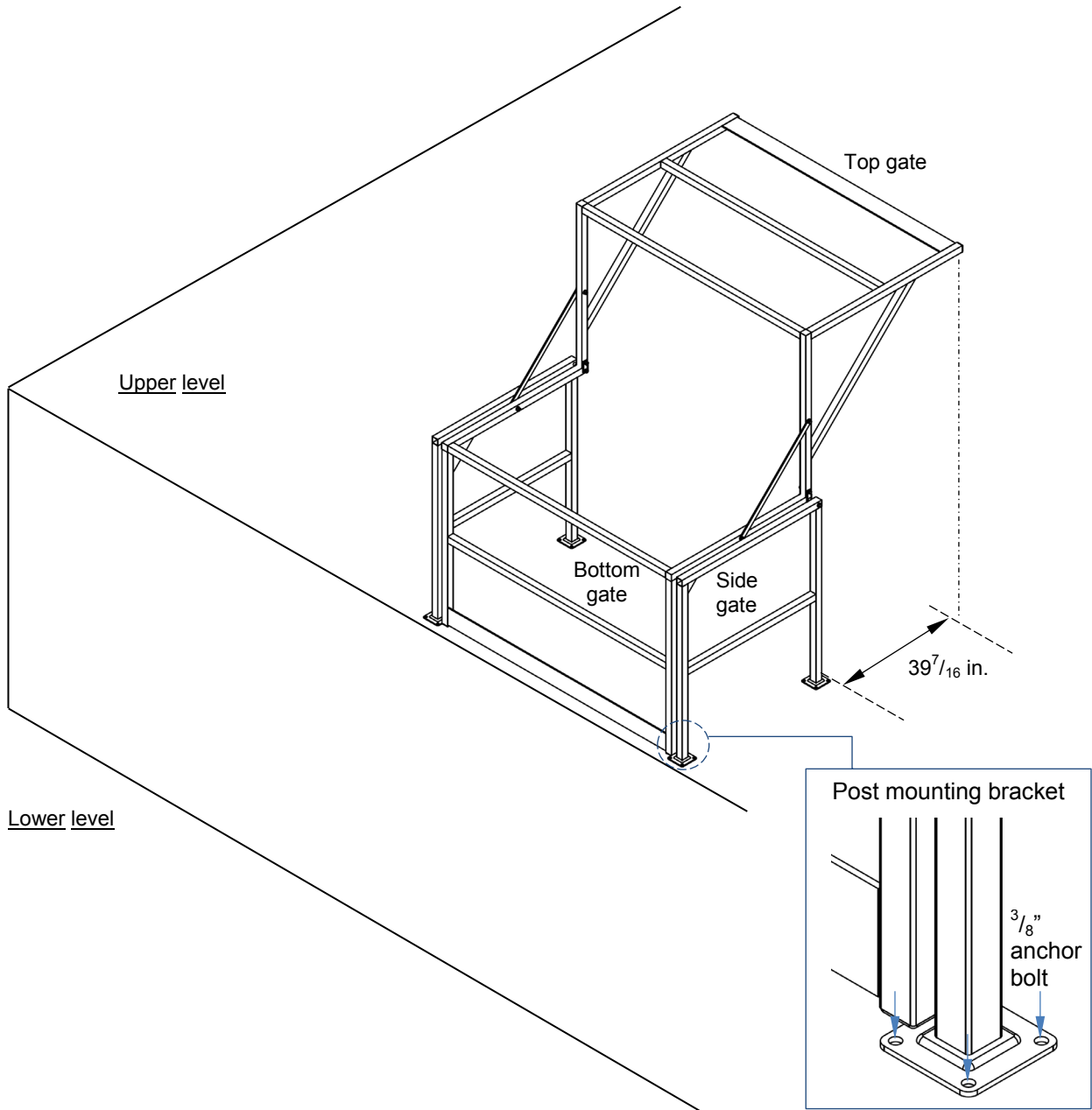
MEZZ-200-DW-SS Exploded View and Bill of Materials  
23-006-656



Item	Part no.	Description	Qty.
1	23-514-201	Weldment, frame, side gate	2
2	23-514-199	Weldment, frame, top gate	1
3	23-514-200	Weldment, bottom gate	1
4	23-014-404	Frame, support brace	2
5	23-016-211	Bracket, gate connector	4
6	23-113-009	Spacer, gate spacer	2
7	21-024-016	Cap, square ribbed inserts	10
8	70113	Hex head cap screw, grade 18-8, stainless steel, $\frac{3}{8}$ "-16x $2\frac{1}{2}$ "	6
9	70123	Hex head cap screw, grade 18-8, stainless steel, $\frac{3}{8}$ "-16x 5"	2
10	70862	Nylon insert lock nut, grade 18-8, stainless steel, $\frac{3}{8}$ "-16	8
11	71017	Flat washer, grade 18-8, stainless steel, $\frac{3}{8}$ "	6
*	23-154-018	Replacement hardware kit (ordered separately)	

## INSTALLING THE GATE SYSTEM

Select a location for the mezzanine gate system that is close to the edge of the upper level. Assemble the gate following the instructions on pages 8 and 9. Move the gate assembly into position and anchor it to the surface by installing  $\frac{3}{8}$ " anchor bolts through the 4 bolt holes in each post mounting bracket. The length of the anchor bolts should be determined by a qualified and trained individual, e.g. your building engineer.

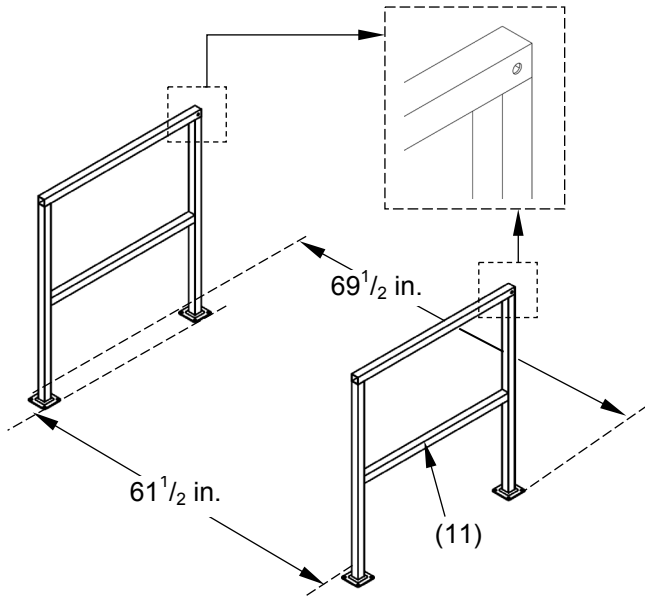




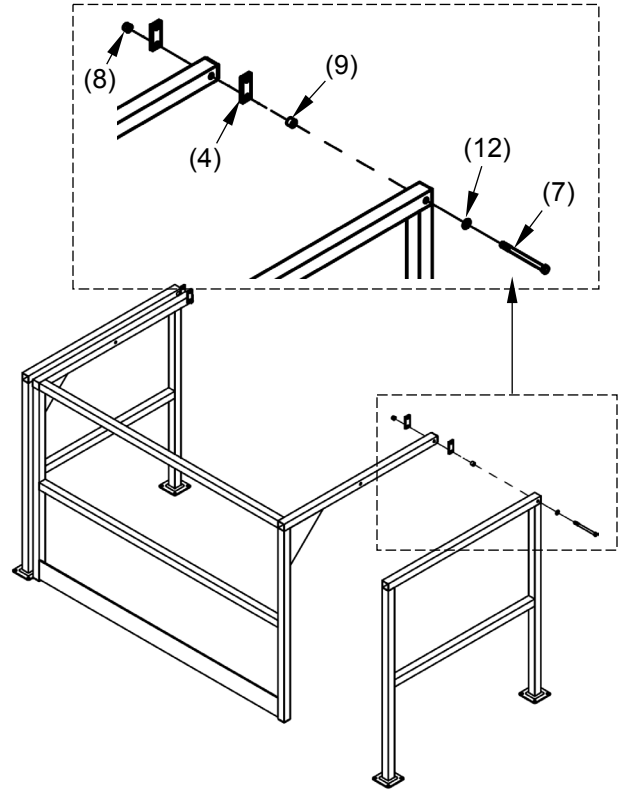
# ASSEMBLING THE GATE SYSTEM

At least 2 people should work together to assemble this gate system. Use the "Installation diagram" on page 8 to determine how to orient the mezzanine gate system for your application. Numbers in parentheses ( ) correspond to item numbers in the parts lists on p. 4-7.

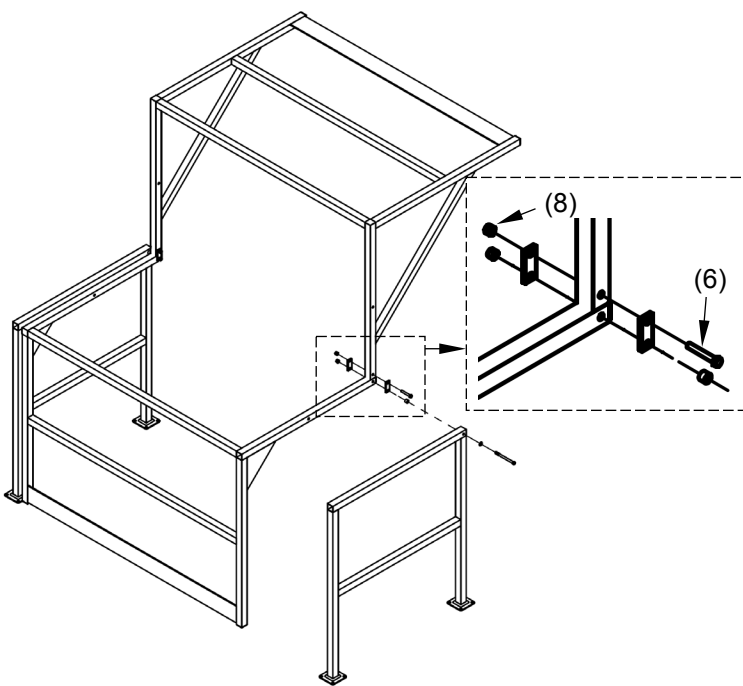
**Step 1:** Install the side gates (11). As shown in the diagrams above and below, side gates should be 61 1/2 in. apart (measured to inside edges of mounting brackets). Secure the gates to the surface with 3/8 in. flat washers and anchor bolts of appropriate length as determined by your building engineer. Orient the gates so that the bolt holes in the top rails are at the same end. The bolt holes should also be opposite the edge of the mezzanine.



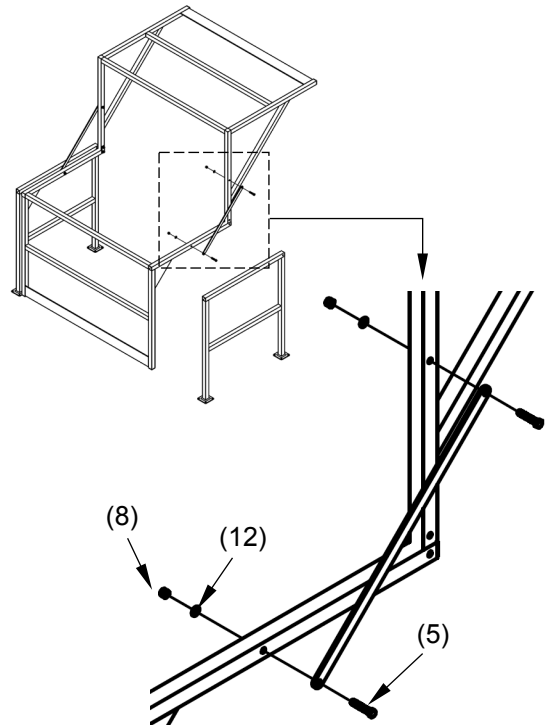
**Step 2:** Install the bottom gate (2) using 3/8 in. – 16 x 5 in. bolts and the hardware indicated in the diagram below.



**Step 3:** Connect the top gate to the bottom gate with 3/8 in. – 16 x 2 1/2 in. and related hardware as shown.

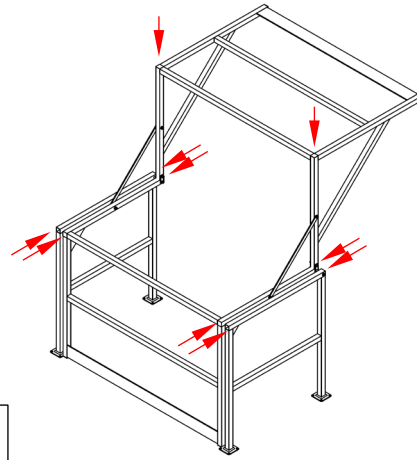
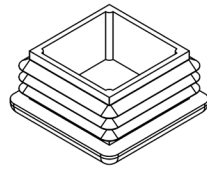


**Step 4:** Attach support braces with 3/8 in. – 16 x 2 in. bolts (5), etc. Press plastic end caps (10)



**Step 5:** Press plastic end caps (10) into the open ends of both the top gate and bottom gate (locations marked with arrows).

Plastic end cap (10)



## USING THE GATE SYSTEM

Place materials, e.g. palletized goods, between the side gates. Pull down the top gate and confirm that its legs contact the floor. After the load has been moved, put the bottom gate down.

## RECORD OF SATISFACTORY CONDITION

Record the condition of the gate system before putting it into service. Thoroughly photograph the unit from multiple angles. Include close range photos of each label, anchor bolt, and fasteners. Collate all photographs and writings into a single file. Mark the file appropriately to identify it. The file provides a record of the system in satisfactory condition. Compare the results of all *inspections* (see below) to this *RECORD* to determine whether the unit is in satisfactory condition. If it is not in satisfactory condition, repair it before returning it to service. Purely cosmetic changes, like damaged paint/powdercoat, do not constitute changes from satisfactory condition. However, touchup paint should be applied to all affected areas as soon as cosmetic damage occurs to prevent rusting and corrosion. If left unaddressed, rusting/corrosion will alter the lifter from satisfactory condition and could make it unsafe to use.

## INSPECTING AND MAINTAINING THE SYSTEM

Inspections and repairs should only be performed by qualified persons. Compare the results of each inspection to the *RECORD OF SATISFACTORY CONDITION* (the “RECORD”). Do not use the system unless all parts are in satisfactory condition. Replace parts that are not in satisfactory condition before returning the system to service. **DON'T GUESS! If you have any questions about the condition of your gate system, contact the TECHNICAL SERVICE department** (see cover page of this manual). *Never make temporary repairs of damaged or missing parts.* Only use manufacturer-approved replacement parts.

Inspect the following components at least once per month:

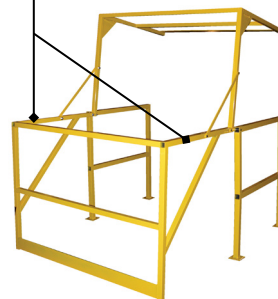
- Gates:** inspect each gate for damage such as bends, breaks, corrosion, and damage caused by impacts with vehicles or other objects. Confirm that all welds are intact.
- Fasteners/hardware:** closely examine all fasteners including anchor bolts. Make sure that all connections are solid. Tighten connections as necessary. Inspect the surface where anchor bolts are installed for damage. If the surface is damaged in a way that affects the connection with one or more anchor bolts and cannot be repaired, then the mezzanine system will have to be disassembled and reinstalled in another location. Pay particular attention to the pivot point connections (Step 2 on p. 9). Make sure that the bolts and spacers are not bent, rusty, cracked, etc. Replace any fastener that is not in normal condition.
- Support braces:** inspect both braces. Look for cracks, warps, bends, etc. Replace a brace if it is damaged.

## LABELING DIAGRAM

Label content and location are subject to change so your product might not be labeled exactly as shown (below). Compare this labeling diagram to the *RECORD*. If actual labeling and/or label placement differs from the diagram, contact *TECHNICAL SERVICE* to determine whether the labeling of your product requires updating. During the lifetime of this gate system, replace all labels that are damaged, missing, or not easily readable (e.g. faded). To order replacement labels, contact the *TECHNICAL SERVICE* and parts department online at <https://www.vestil.com/page-parts-request.php>. Alternatively, you may request replacement parts and/or service by calling (260) 665-7586 and asking the operator to connect you to the Parts Dept.

Label 208 (both sides)

<b>⚠ WARNING</b> KEEP CLEAR OF PINCH POINT	<b>⚠ ADVERTENCIA</b> MANTENGASE ALEJADO DEL PUNTO DE CORTE	<b>⚠ AVERTISSEMENT</b> SE TENIR À DISTANCE DU POINT DE PINCEMENT
--	--	--



## LIMITED WARRANTY

Vestil Manufacturing Corporation (“Vestil”) warrants this product to be free of defects in material and workmanship during the warranty period. Our warranty obligation is to provide a replacement for a defective, original part covered by the warranty after we receive a proper request from the Warrantee (you) for warranty service.

### Who may request service?

Only a warrantee may request service. You are a warrantee if you purchased the product from Vestil or from an authorized distributor AND Vestil has been fully paid.

### Definition of “original part”?

An original part is a part used to make the product as shipped to the Warrantee.

### What is a “proper request”?

A request for warranty service is proper if Vestil receives: 1) a photocopy of the Customer Invoice that displays the shipping date; AND 2) a written request for warranty service including your name and phone number. Send requests by one of the following methods:

<u>US Mail</u>	<u>Fax</u>	<u>Email</u>
Vestil Manufacturing Corporation 2999 North Wayne Street, PO Box 507 Angola, IN 46703	(260) 665-1339 <u>Phone</u> (260) 665-7586	<a href="mailto:info@vestil.com">info@vestil.com</a> Enter “Warranty service request” in subject field.

In the written request, list the parts believed to be defective and include the address where replacements should be delivered. After Vestil receives your request for warranty service, an authorized representative will contact you to determine whether your claim is covered by the warranty. Before providing warranty service, Vestil will require you to send the entire product, or just the defective part (or parts), to its facility in Angola, IN.

### What is covered under the warranty?

The warranty covers defects in the following original, dynamic parts: motors, hydraulic pumps, motor controllers, and cylinders. It also covers defects in original parts that wear under normal usage conditions (“wearing parts”), such as bearings, hoses, wheels, seals, brushes, and batteries.

### How long is the warranty period?

The warranty period for original dynamic components is 90 days. For wearing parts, the warranty period is 90 days. Both warranty periods begin on the date Vestil ships the product to the Warrantee. If the product was purchased from an authorized distributor, the periods begin when the distributor ships the product. Vestil may, at its sole discretion, extend a warranty period for products shipped from authorized distributors by up to 30 days to account for shipping time.

### If a defective part is covered by the warranty, what will Vestil do to correct the problem?

Vestil will provide an appropriate replacement for any *covered* part. An authorized representative of Vestil will contact you to discuss your claim.

### What is not covered by the warranty?

The Warrantee (you) is responsible for paying labor costs and freight costs to return the product to Vestil for warranty service.

### Events that automatically void this Limited Warranty.

- Misuse;
- Negligent assembly, installation, operation or repair;
- Installation/use in corrosive environments;
- Inadequate or improper maintenance;
- Damage sustained during shipping;
- Collisions or other accidents that damage the product;
- Unauthorized modifications: Do not modify the product IN ANY WAY without first receiving written authorization from Vestil.

### Do any other warranties apply to the product?

Vestil Manufacturing Corp. makes no other express warranties. All implied warranties are disclaimed to the extent allowed by law. Any implied warranty not disclaimed is limited in scope to the terms of this Limited Warranty. Vestil makes no warranty or representation that this product complies with any state or local design, performance, or safety code or standard. Noncompliance with any such code or standard is not a defect in material or workmanship.

