

LINEAR ACTUATORS

MPB & MPD Series

CAPACITY:	250 - 500 lbs (1112 - 2224 N)	
SPEED:	0.6 - 2.0 in/s	
VOLTAGE:	12, 24 115, 220	VDC Single-phase VAC
TEMPERATURE RANGE:	25°F to 120°F (-4°C to 50°C)	
ENVIRONMENTAL RATING:	IP50 protection (IP52 Optional)	

Low temperature grease available please consult the factory

FEATURES & BENEFITS

- Wide range of capacities and voltages for integration into a variety of applications
- Heavy duty design for long life in tough environments
- Corrosion resistant housing
- Precise and repeatable positioning with internal, adjustable limit switches
- Automatic reset thermal overload motor protection
- Mechanical braking system to reduce back driving and stopping distance
- Custom solutions available with experienced Application Engineering Team

OPTIONS

- Stainless steel construction
- Potentiometer for precise position feedback
- Standard double clevis mounting with options for trunnion, and threaded ends
- Weather resistant sealant for IP52 rating
- Bellows boot protection
- Load limiting friction disc clutch



MPB

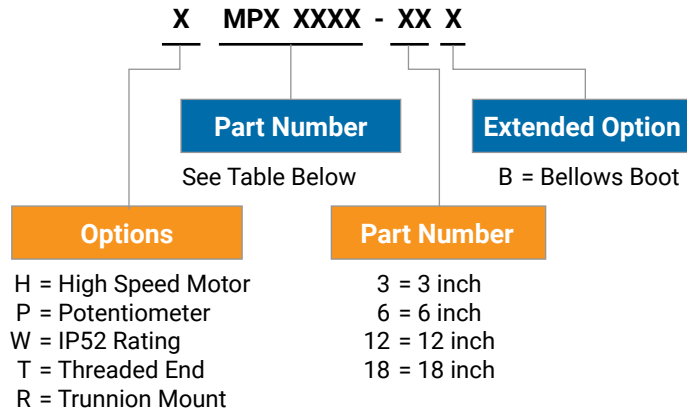


MPD w/clutch



MPD w/limit switch

CATALOG NUMBER CONFIGURATION KEY



Available Options				
Series	High Speed Motor	Potentiometer	IP52 Rating	Threaded End
MPB	–	Optional	Optional	Optional
MPD	Optional	–	Optional	Optional

Potentiometer not available on clutch models

Example: HMPB 3905-12B = Hi-speed, MPD series,
from table below, 12 inch stroke, Bellows boot

PART NUMBERS and PRODUCT SPECIFICATIONS

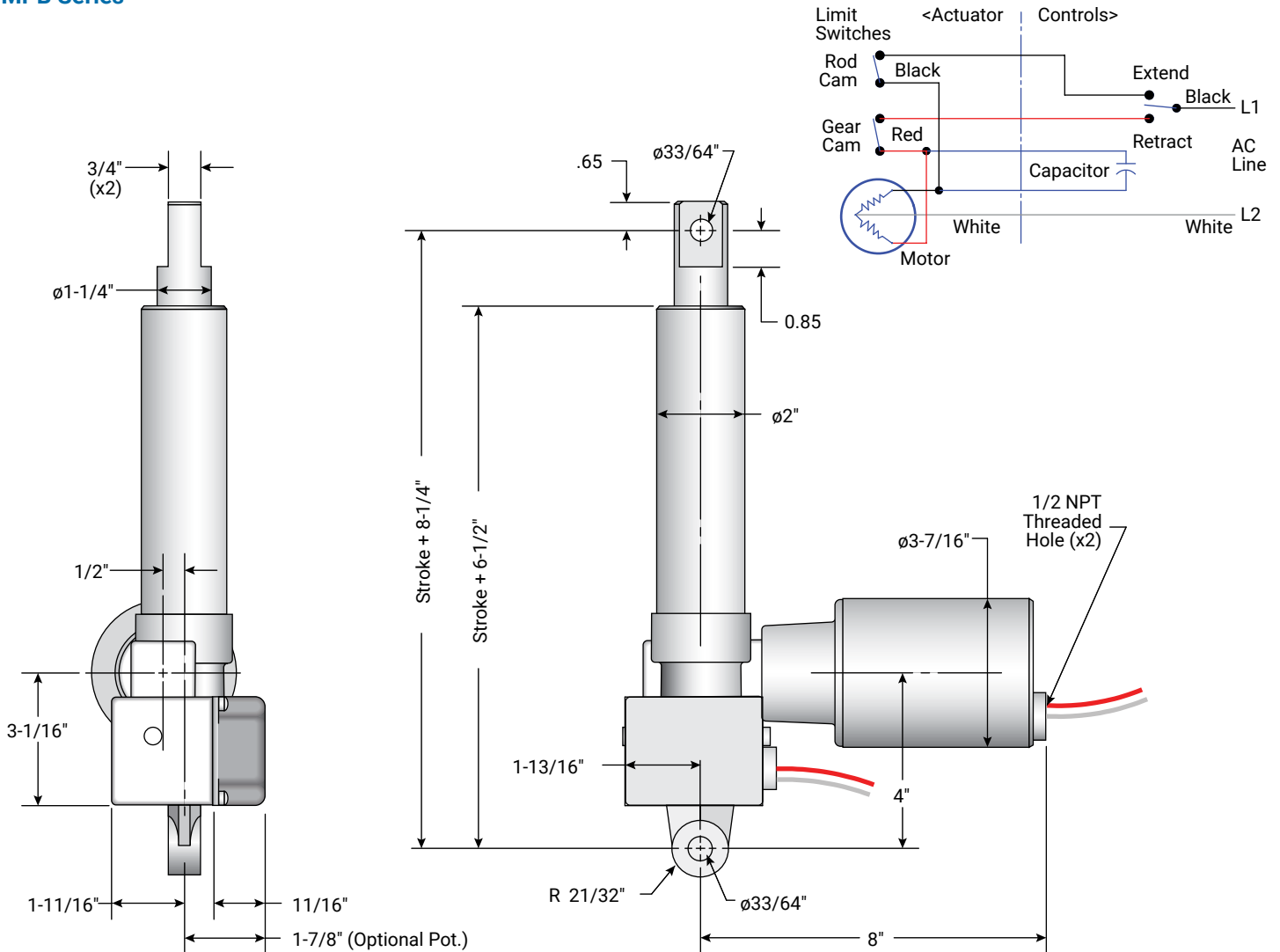
Part Number	Series	Voltage	Dynamic Rated Load	Max Stroke Length	Speed at Rated Load	Current Draw at Rated Load	Temperature Range	Restraining Torque	Duty Cycle at Rated Load	Screw Type	Capacitor	Clutch	Limit Switches
#	Prefix	V (Hz)	lbs (N)	in (mm)	in/s (mm/s)	A	°F (°C)	in-lbs (Nm)	%		Part No.* (Required Capacitance)		
MPB 3905	MPB	115 VAC (60 Hz)	250 (1112)	18 (457)	0.7 (18)	2	25 to 120 (-4 to 50)	30 (3.4)	23	ACME	SK6405-7-1 (28-33 MFD)	–	Included
HMPB 3905		115 VAC (60 Hz)	250 (1112)	18 (457)	1.4 (35)	5	25 to 120 (-4 to 50)	30 (3.4)	11	ACME	SK6405-7-3 (64-72 MFD)	–	Included
MPB 6905		115 VAC (60 Hz)	500 (2224)	18 (457)	0.6 (15)	2.3	25 to 120 (-4 to 50)	60 (6.7)	19	ACME	SK6405-7-1 (28-33 MFD)	–	Included
HMPB 6905		115 VAC (60 Hz)	500 (2224)	18 (457)	1.3 (33)	5.5	25 to 120 (-4 to 50)	60 (6.7)	11	ACME	SK6405-7-3 (64-72 MFD)	–	Included
MPB 4905		220 VAC (50 Hz)	250 (1112)	18 (457)	0.6 (15)	1	25 to 120 (-4 to 50)	30 (3.4)	21	ACME	SK6405-7-10 (10 MFD)	–	Included
MPB 7905		220 VAC (50 Hz)	500 (2224)	18 (457)	0.6 (15)	1	25 to 120 (-4 to 50)	60 (6.7)	22	ACME	SK6405-7-10 (10 MFD)	–	Included
MPD 3405	MPD	12 VDC	250 (1112)	18 (457)	1 (25)	14	25 to 120 (-4 to 50)	30 (3.4)	21	ACME	–	Included	–
HMPD 3405		12 VDC	250 (1112)	18 (457)	2 (50)	28	25 to 120 (-4 to 50)	30 (3.4)	12	ACME	–	Included	–
MPD 3905		12 VDC	250 (1112)	18 (457)	1 (25)	14	25 to 120 (-4 to 50)	30 (3.4)	35	ACME	–	–	Included
HMPD 3905		12 VDC	250 (1112)	18 (457)	2 (50)	28	25 to 120 (-4 to 50)	30 (3.4)	15	ACME	–	–	Included
MPD 6405		12 VDC	500 (2224)	18 (457)	0.7 (18)	22	25 to 120 (-4 to 50)	60 (6.7)	18	ACME	–	Included	–
MPD 6905		12 VDC	500 (2224)	18 (457)	0.75 (19)	23	25 to 120 (-4 to 50)	60 (6.7)	19	ACME	–	–	Included
MPD 3404		24 VDC	250 (1112)	18 (457)	1 (25)	5	25 to 120 (-4 to 50)	30 (3.4)	32	ACME	–	Included	–
MPD 3904		24 VDC	250 (1112)	18 (457)	1.2 (30)	6	25 to 120 (-4 to 50)	30 (3.4)	26	ACME	–	–	Included
MPD 6904		24 VDC	500 (2224)	18 (457)	0.85 (22)	12	25 to 120 (-4 to 50)	60 (6.7)	17	ACME	–	–	Included
MPD 6404		24 VDC	500 (2224)	18 (457)	0.8 (20.3)	11	25 to 120 (-4 to 50)	60 (6.7)	17	ACME	–	Included	–

* A capacitor is required for all AC motors. Capacitor sold separately.



DIMENSIONAL DRAWINGS and WIRING DIAGRAMS

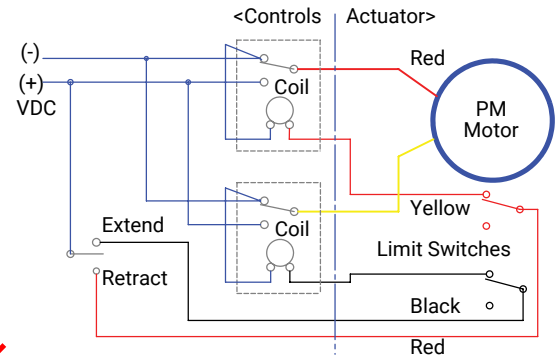
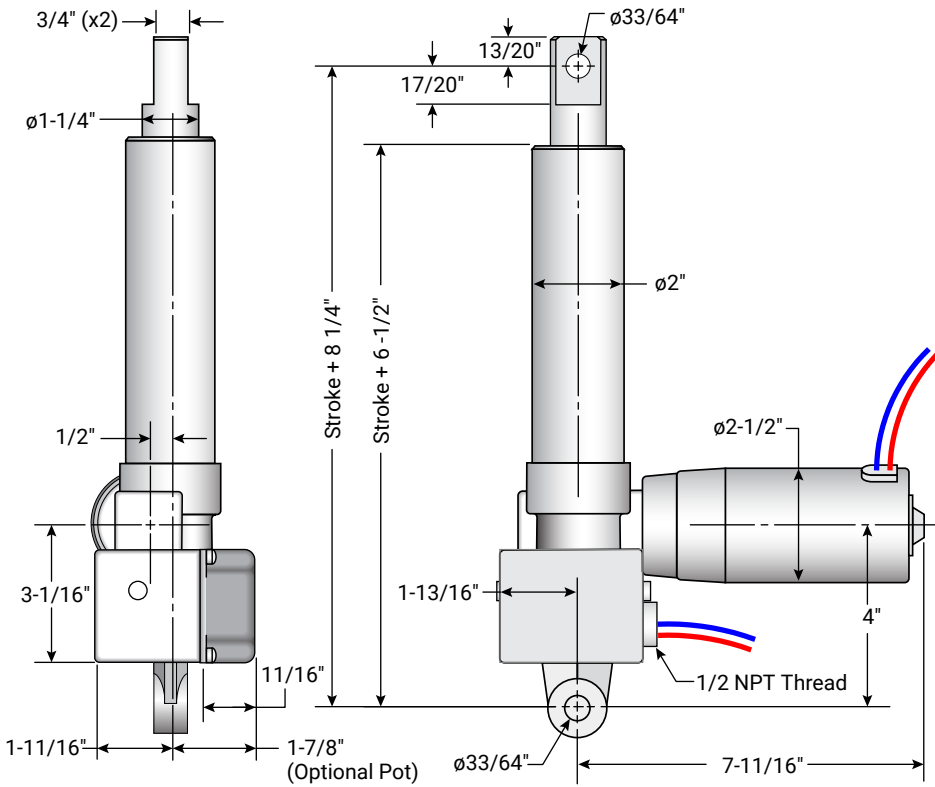
MPB Series



MPB Models	Capacity
3905	250 lbs
4905	250 lbs
6905	500 lbs
7905	500 lbs

DIMENSIONAL DRAWINGS and WIRING DIAGRAMS

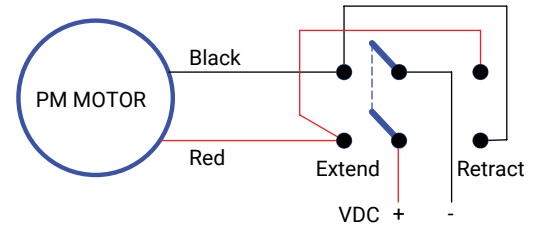
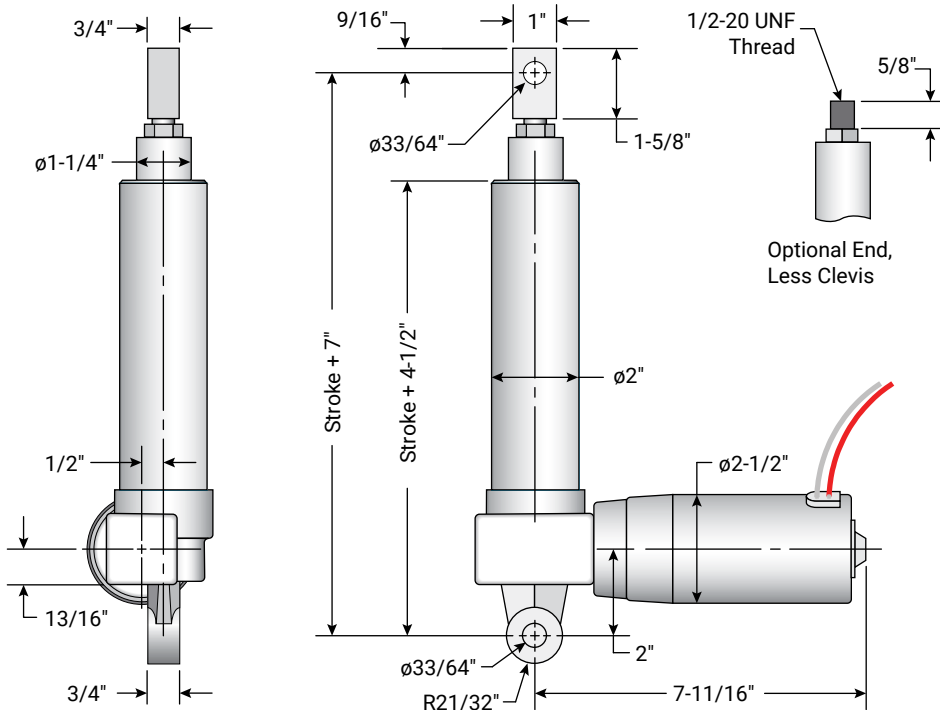
MPD Series with Limit Switch



Two (2) relays are required for DC limit switch models

MPD Models	Capacity
3905	250 lbs
3904	250 lbs
6904	500 lbs
6905	500 lbs

MPD Series with Clutch



MPD Models	Capacity
3405	250 lbs
3404	250 lbs
6405	500 lbs
6404	500 lbs