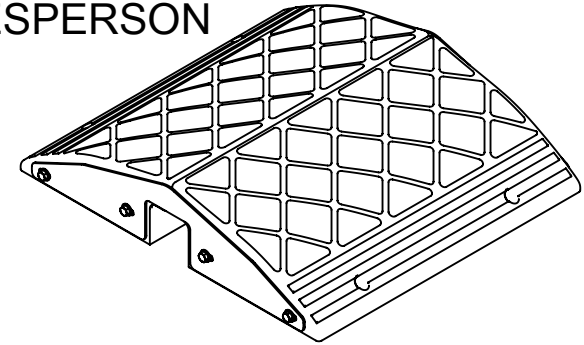
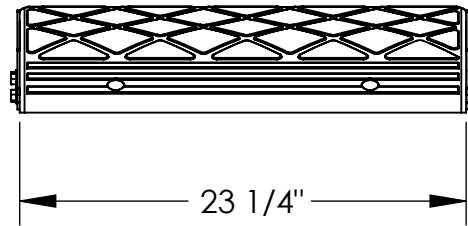
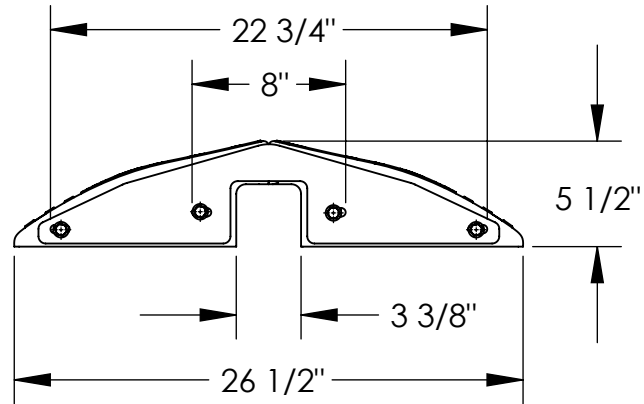


# MULTI-PURPOSE RAMP- MPR-2313-G W/ BRACKETS

APPROXIMATE WEIGHT IS: 24.74 lbs.

\*\*\* ANY ADDITIONS, DELETIONS, OR OMISSIONS MUST BE CORRECTED ON THIS DRAWING AS THIS DRAWING WILL BE CONSIDERED ALL INCLUSIVE \*\*\*

ALL GRAPHICS PROVIDED ARE FOR REFERENCE ONLY. IF CERTAIN DIMENSIONS ARE CRITICAL PLEASE VERIFY THOSE DIMENSIONS WITH YOUR SALESPERSON



SCALE 1:12

NOTE: HIDDEN LINES REMOVED FOR CLARITY.

## STANDARD FEATURES

MODEL NUMBER: MPR-2313-G  
 OVERALL WIDTH 23 1/4"  
 OVERALL LENGTH: 26 1/2"  
 OVERALL HEIGHT: 5 1/2"  
 CAPACITY: 5,000 LBS PER RAMP  
 MATERIAL: UV POLYPROPYLENE

ALL SPECIAL UNITS ARE NON-RETURNABLE

<b>A P P R O V A L</b>	I, the undersigned, hereby approve this print. This includes my approval of design & dimensions	
	<input type="checkbox"/> As drawn	<input type="checkbox"/> As marked
	Signed: _____ Date: _____	
	LEAD TIME WILL START UPON RECEIPT OF SIGNED APPROVAL DRAWING	

## SPECIAL FEATURES

NONE

DISTRIBUTOR'S NAME: <b>VESTIL MANUFACTURING</b>		P.O.# X
DRAWN BY: ADL	DATE: 01/16/06	W.O.# X
REFERENCE: X	QUOTE # X	SALES: X
		FILE NAME: 30-007-070-001