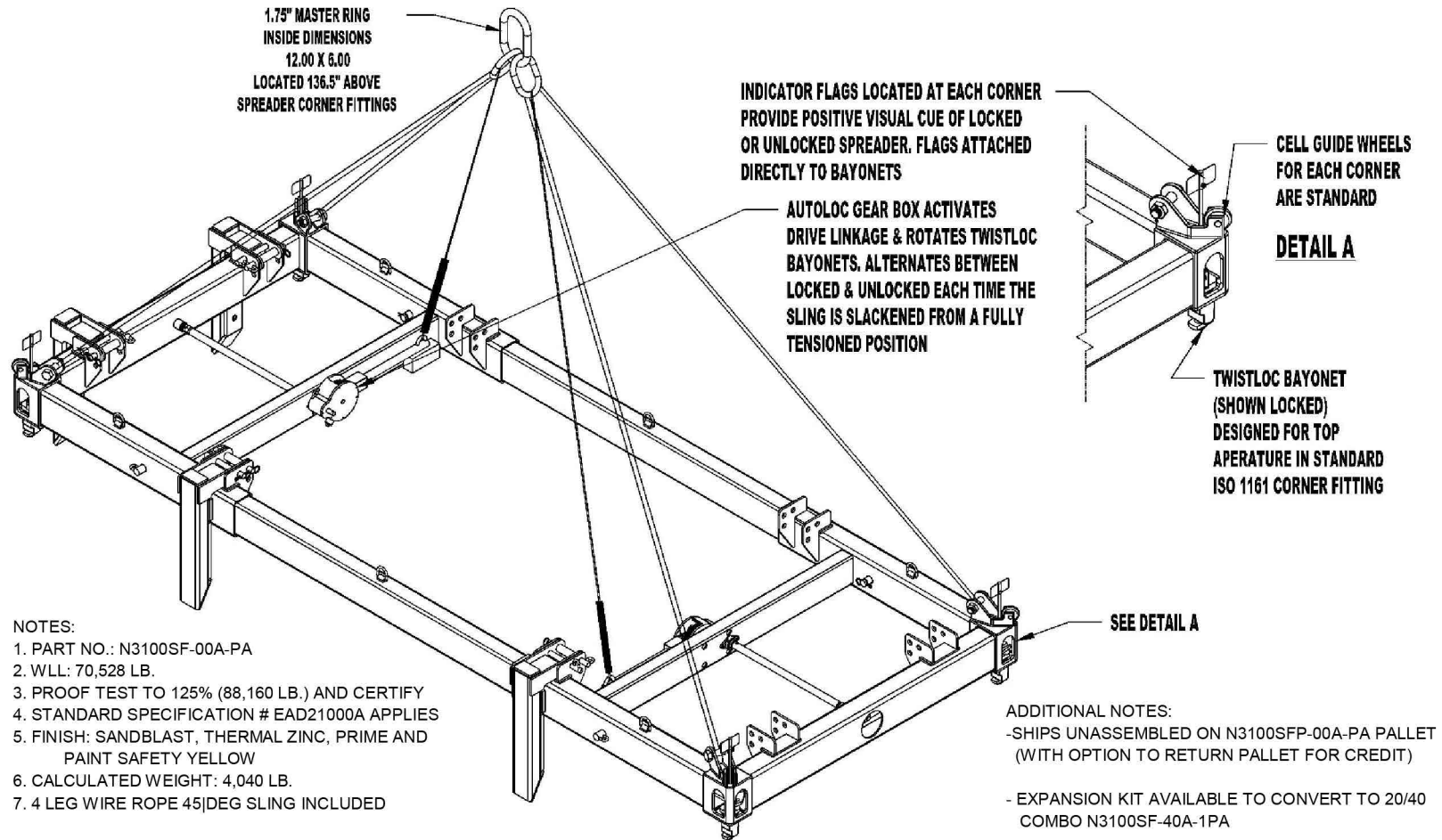


MODULAR AUTOLOC CONTAINER SPREADER, WLL 70,528 LB. (N3100SF-00A-PA)

Cage Code: 65059 | Drawing No: SN3100SF-00A-PA | Revision: - | Sheet: 1 of 3

UNLESS OTHERWISE SPECIFIED, DIMENSIONS ARE IN INCHES



To avoid lifter failure, potential death and property damage, never exceed WLL (Working Load Limit).

This document contains the proprietary information of Tandemloc, Inc. and your access and use shall be, and is at all times, pursuant to and limited by the Tandemloc, Inc. Terms of Use.

You shall not, and shall not encourage, assist, or authorize another party to copy, distribute, publicly display, modify, reverse engineer, decompile, or take any other action to reproduce this document or the information contained herein. © Copyright 2014 by Tandemloc, Inc.

Dimensions are subject to manufacturing tolerance and change.



Email: info@tandemloc.com • www.tandemloc.com
824 Highway 101 • Havelock, NC 28532
Tel: 1.800.258.7324 (252.447.7155)
FAX 1.800.892.3273 (252.447.5502)

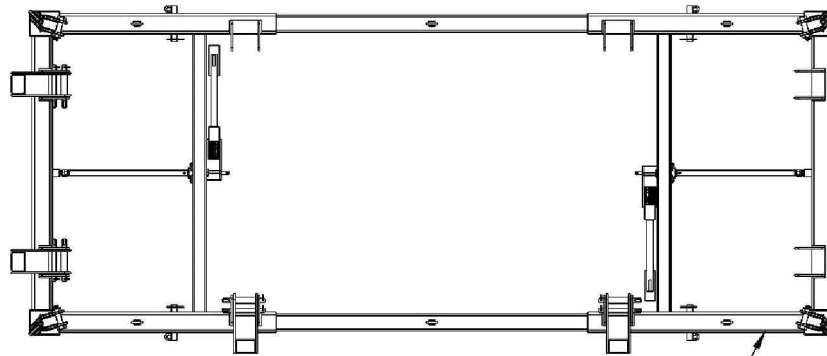
Tandemloc, Inc. designs, manufactures and tests lifting, securing and mobilizing components for all industries. See our website for details and important safety information.

Read all safety labels and instructions prior to use. Product to be used by qualified personnel only.

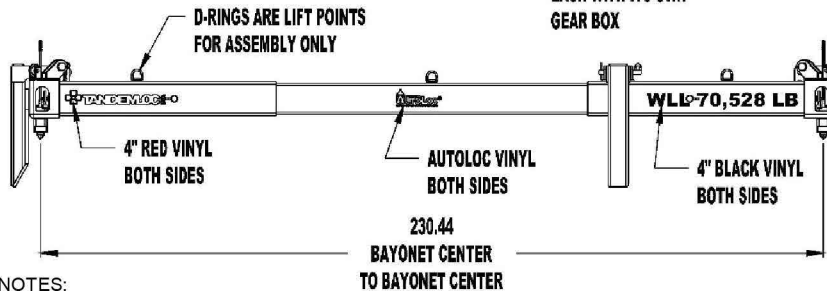
MODULAR AUTOLOC CONTAINER SPREADER, WLL 70,528 LB. (N3100SF-00A-PA)

Cage Code: 65059 | Drawing No: SN3100SF-00A-PA | Revision: - | Sheet: 2 of 3

UNLESS OTHERWISE SPECIFIED, DIMENSIONS ARE IN INCHES

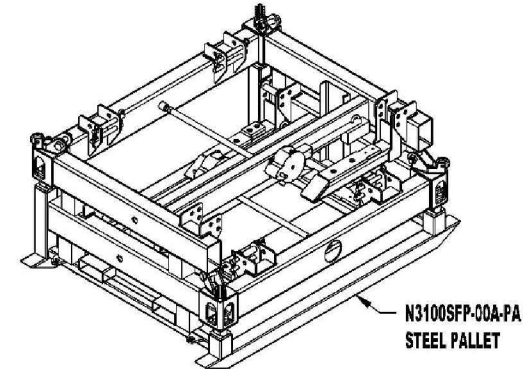


IDENTICAL FRAME ENDS
EACH WITH ITS OWN
GEAR BOX

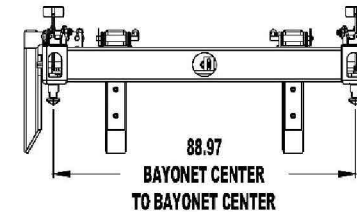


NOTES:

1. PART NO.: N3100SF-00A-PA
2. WLL: 70,528 LB.
3. PROOF TEST TO 125% (88,160 LB.) AND CERTIFY
4. STANDARD SPECIFICATION # EAD21000A APPLIES
5. FINISH: SANDBLAST, THERMAL ZINC, PRIME AND PAINT SAFETY YELLOW
6. CALCULATED WEIGHT: 4,040 LB.
7. 4 LEG WIRE ROPE 45/DEG SLING, NOT SHOWN



2 FRAME ENDS ON STEEL PALLET
2 TUBES AND SLING SEPARATE



ADDITIONAL NOTES:

- SHIPS UNASSEMBLED ON N3100SFP-00A-PA PALLET (WITH OPTION TO RETURN PALLET FOR CREDIT)
- EXPANSION KIT AVAILABLE TO CONVERT TO 20/40 COMBO N3100SF-40A-1PA

To avoid lifter failure, potential death and property damage, never exceed WLL (Working Load Limit).

This document contains the proprietary information of Tandemloc, Inc. and your access and use shall be, and is at all times, pursuant to and limited by the Tandemloc, Inc. Terms of Use.

You shall not, and shall not encourage, assist, or authorize another party to copy, distribute, publicly display, modify, reverse engineer, decompile, or take any other action to reproduce this document or the information contained herein. © Copyright 2014 by Tandemloc, Inc.

Dimensions are subject to manufacturing tolerance and change.



Email: info@tandemloc.com • www.tandemloc.com
824 Highway 101 • Havelock, NC 28532
Tel: 1.800.258.7324 (252.447.7155)
FAX 1.800.892.3273 (252.447.5502)

Tandemloc, Inc. designs, manufactures and tests lifting, securing and mobilizing components for all industries. See our website for details and important safety information.

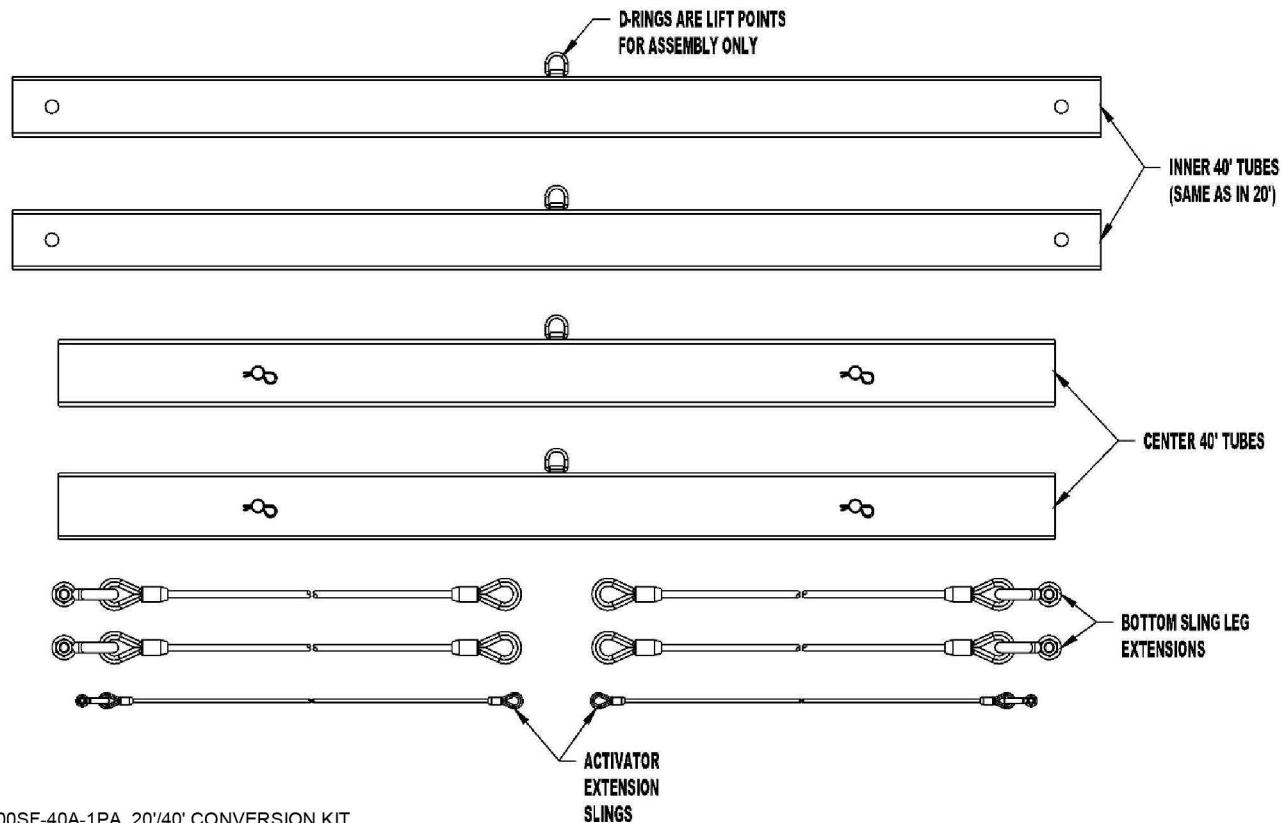
Read all safety labels and instructions prior to use. Product to be used by qualified personnel only.

MODULAR AUTOLOC CONTAINER SPREADER, WLL 70,528 LB. (N3100SF-00A-PA)

Cage Code: 65059 | Drawing No: SN3100SF-00A-PA | Revision: - | Sheet: 3 of 3

UNLESS OTHERWISE SPECIFIED, DIMENSIONS ARE IN INCHES

COMPONENTS CONVERT A 20' MODULAR AUTOLOC CONTAINER SPREADER TO A 40' MODULAR AUTOLOC CONTAINER SPREADER



NOTES:

1. PART NO.: N3100SF-40A-1PA, 20'/40' CONVERSION KIT
2. FINISH: SANDBLAST, THERMAL ZINC, PRIME AND PAINT SAFETY YELLOW
3. CALCULATED WEIGHT: 2,110 LB.

To avoid lifter failure, potential death and property damage, never exceed WLL (Working Load Limit).

This document contains the proprietary information of Tandemloc, Inc. and your access and use shall be, and is at all times, pursuant to and limited by the Tandemloc, Inc. Terms of Use.

You shall not, and shall not encourage, assist, or authorize another party to copy, distribute, publicly display, modify, reverse engineer, decompile, or take any other action to reproduce this document or the information contained herein. © Copyright 2014 by Tandemloc, Inc.

Dimensions are subject to manufacturing tolerance and change.



Email: info@tandemloc.com • www.tandemloc.com

824 Highway 101 • Havelock, NC 28532

Tel: 1.800.258.7324 (252.447.7155)

FAX 1.800.892.3273 (252.447.5502)

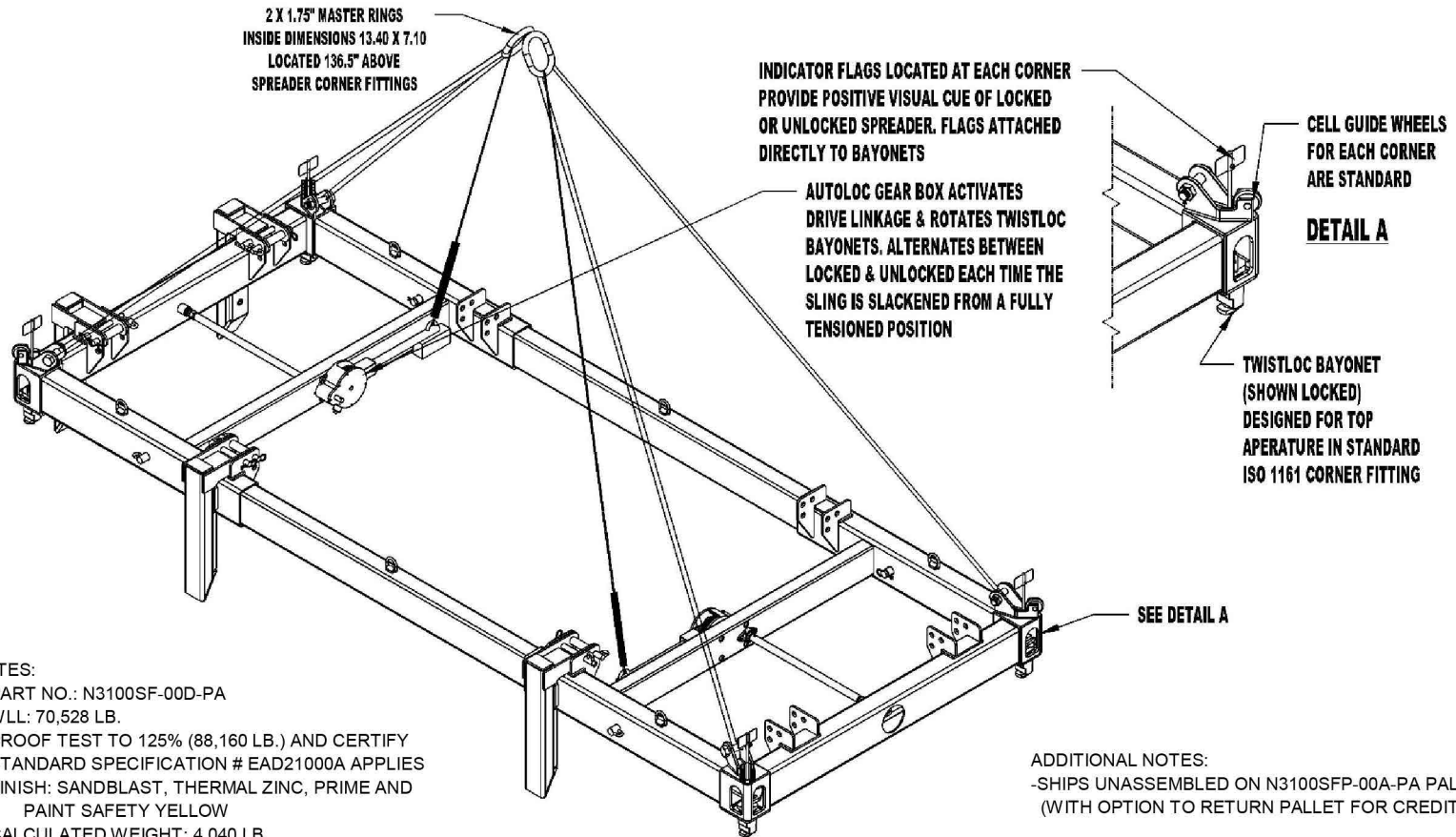
Tandemloc, Inc. designs, manufactures and tests lifting, securing and mobilizing components for all industries. See our website for details and important safety information.

Read all safety labels and instructions prior to use. Product to be used by qualified personnel only.

MODULAR AUTOLOC CONTAINER SPREADER, WLL 70,528 LB. (N3100SF-00D-PA)

Cage Code: 65059 | Drawing No: SN3100SF-00D-PA | Revision: - | Sheet: 1 of 3

UNLESS OTHERWISE SPECIFIED, DIMENSIONS ARE IN INCHES



NOTES:

1. PART NO.: N3100SF-00D-PA
2. WLL: 70,528 LB.
3. PROOF TEST TO 125% (88,160 LB.) AND CERTIFY
4. STANDARD SPECIFICATION # EAD21000A APPLIES
5. FINISH: SANDBLAST, THERMAL ZINC, PRIME AND PAINT SAFETY YELLOW
6. CALCULATED WEIGHT: 4,040 LB.
7. 4 LEG WIRE ROPE 45/DEG SLING INCLUDED FOR DOUBLE HORN HOOK

ADDITIONAL NOTES:

- SHIPS UNASSEMBLED ON N3100SFP-00A-PA PALLET (WITH OPTION TO RETURN PALLET FOR CREDIT)
- EXPANSION KIT AVAILABLE TO CONVERT TO 20/40 COMBO N3100SF-40A-1PA

To avoid lifter failure, potential death and property damage, never exceed WLL (Working Load Limit).

This document contains the proprietary information of Tandemloc, Inc. and your access and use shall be, and is at all times, pursuant to and limited by the Tandemloc, Inc. Terms of Use.

You shall not, and shall not encourage, assist, or authorize another party to copy, distribute, publicly display, modify, reverse engineer, decompile, or take any other action to reproduce this document or the information contained herein. © Copyright 2014 by Tandemloc, Inc.

Dimensions are subject to manufacturing tolerance and change.



Email: info@tandemloc.com • www.tandemloc.com
824 Highway 101 • Havelock, NC 28532
Tel: 1.800.258.7324 (252.447.7155)
FAX 1.800.892.3273 (252.447.5502)

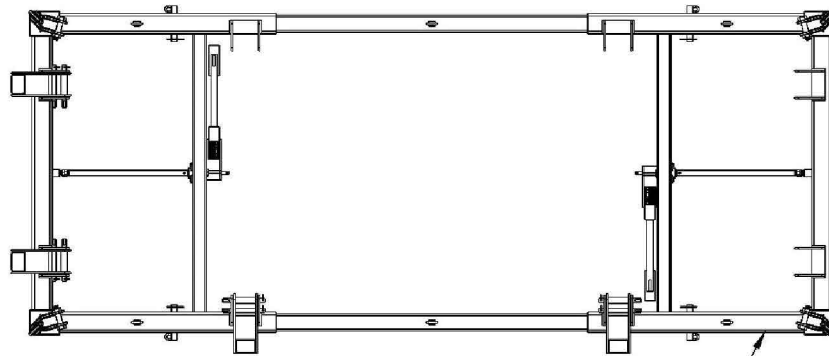
Tandemloc, Inc. designs, manufactures and tests lifting, securing and mobilizing components for all industries. See our website for details and important safety information.

Read all safety labels and instructions prior to use. Product to be used by qualified personnel only.

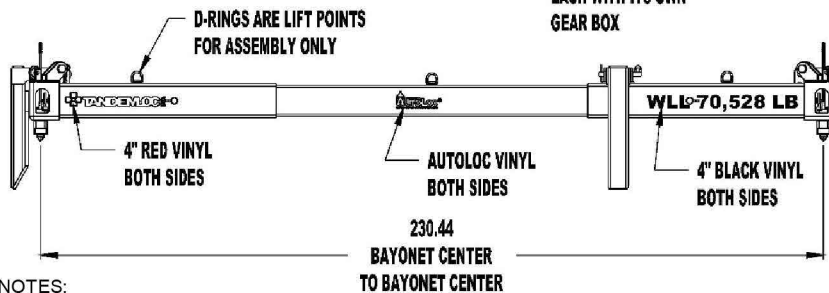
MODULAR AUTOLOC CONTAINER SPREADER, WLL 70,528 LB. (N3100SF-00D-PA)

Cage Code: 65059 | Drawing No: SN3100SF-00D-PA | Revision: - | Sheet: 2 of 3

UNLESS OTHERWISE SPECIFIED, DIMENSIONS ARE IN INCHES

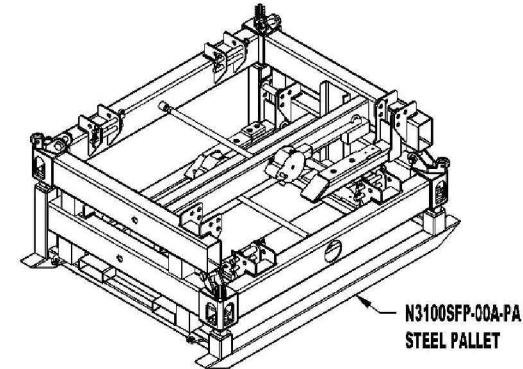


IDENTICAL FRAME ENDS
EACH WITH ITS OWN
GEAR BOX

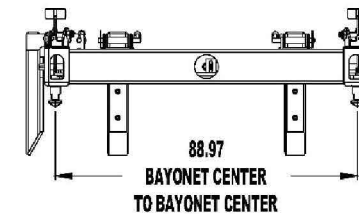


NOTES:

1. PART NO.: N3100SF-00D-PA
2. WLL: 70,528 LB.
3. PROOF TEST TO 125% (88,160 LB.) AND CERTIFY
4. STANDARD SPECIFICATION # EAD21000A APPLIES
5. FINISH: SANDBLAST, THERMAL ZINC, PRIME AND PAINT SAFETY YELLOW
6. CALCULATED WEIGHT: 4,040 LB.
7. 4 LEG WIRE ROPE 45° DEG SLING FOR DOUBLE HORN HOOK, NOT SHOWN



2 FRAME ENDS ON STEEL PALLET
2 TUBES AND SLING SEPARATE



ADDITIONAL NOTES:

- SHIPS UNASSEMBLED ON N3100SFP-00A-PA PALLET (WITH OPTION TO RETURN PALLET FOR CREDIT)
- EXPANSION KIT AVAILABLE TO CONVERT TO 20/40 COMBO N3100SF-40A-1PA

To avoid lifter failure, potential death and property damage, never exceed WLL (Working Load Limit).

This document contains the proprietary information of Tandemloc, Inc. and your access and use shall be, and is at all times, pursuant to and limited by the Tandemloc, Inc. Terms of Use.

You shall not, and shall not encourage, assist, or authorize another party to copy, distribute, publicly display, modify, reverse engineer, decompile, or take any other action to reproduce this document or the information contained herein. © Copyright 2014 by Tandemloc, Inc.

Dimensions are subject to manufacturing tolerance and change.



Email: info@tandemloc.com • www.tandemloc.com
824 Highway 101 • Havelock, NC 28532
Tel: 1.800.258.7324 (252.447.7155)
FAX 1.800.892.3273 (252.447.5502)

Tandemloc, Inc. designs, manufactures and tests lifting, securing and mobilizing components for all industries. See our website for details and important safety information.

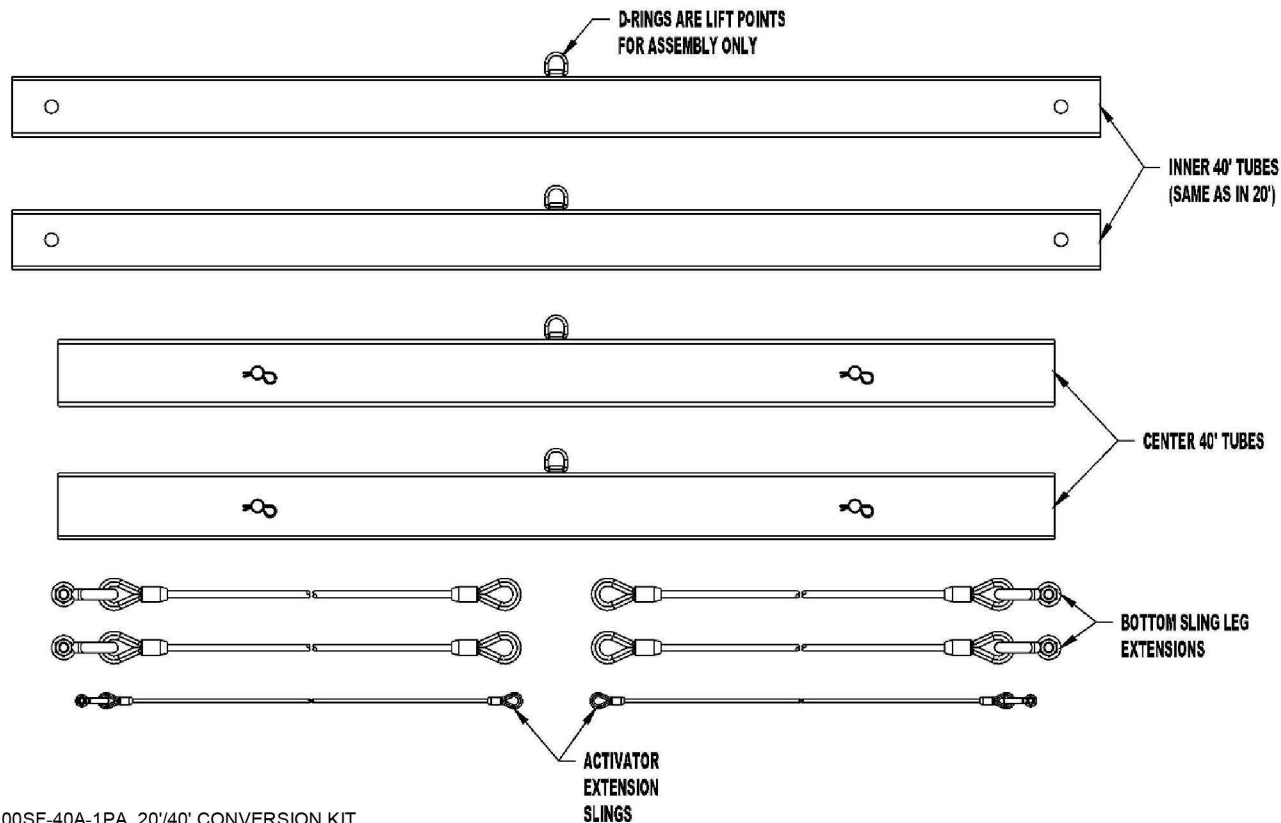
Read all safety labels and instructions prior to use. Product to be used by qualified personnel only.

MODULAR AUTOLOC CONTAINER SPREADER, WLL 70,528 LB. (N3100SF-00D-PA)

Cage Code: 65059 | Drawing No: SN3100SF-00D-PA | Revision: - | Sheet: 3 of 3

UNLESS OTHERWISE SPECIFIED, DIMENSIONS ARE IN INCHES

COMPONENTS CONVERT A 20' MODULAR AUTOLOC CONTAINER SPREADER TO A 40' MODULAR AUTOLOC CONTAINER SPREADER



NOTES:

1. PART NO.: N3100SF-40A-1PA, 20'/40' CONVERSION KIT
2. FINISH: SANDBLAST, THERMAL ZINC, PRIME AND PAINT SAFETY YELLOW
3. CALCULATED WEIGHT: 2,110 LB.

To avoid lifter failure, potential death and property damage, never exceed WLL (Working Load Limit).

This document contains the proprietary information of Tandemloc, Inc. and your access and use shall be, and is at all times, pursuant to and limited by the Tandemloc, Inc. Terms of Use.

You shall not, and shall not encourage, assist, or authorize another party to copy, distribute, publicly display, modify, reverse engineer, decompile, or take any other action to reproduce this document or the information contained herein. © Copyright 2014 by Tandemloc, Inc.

Dimensions are subject to manufacturing tolerance and change.



Email: info@tandemloc.com • www.tandemloc.com

824 Highway 101 • Havelock, NC 28532

Tel: 1.800.258.7324 (252.447.7155)

FAX 1.800.892.3273 (252.447.5502)

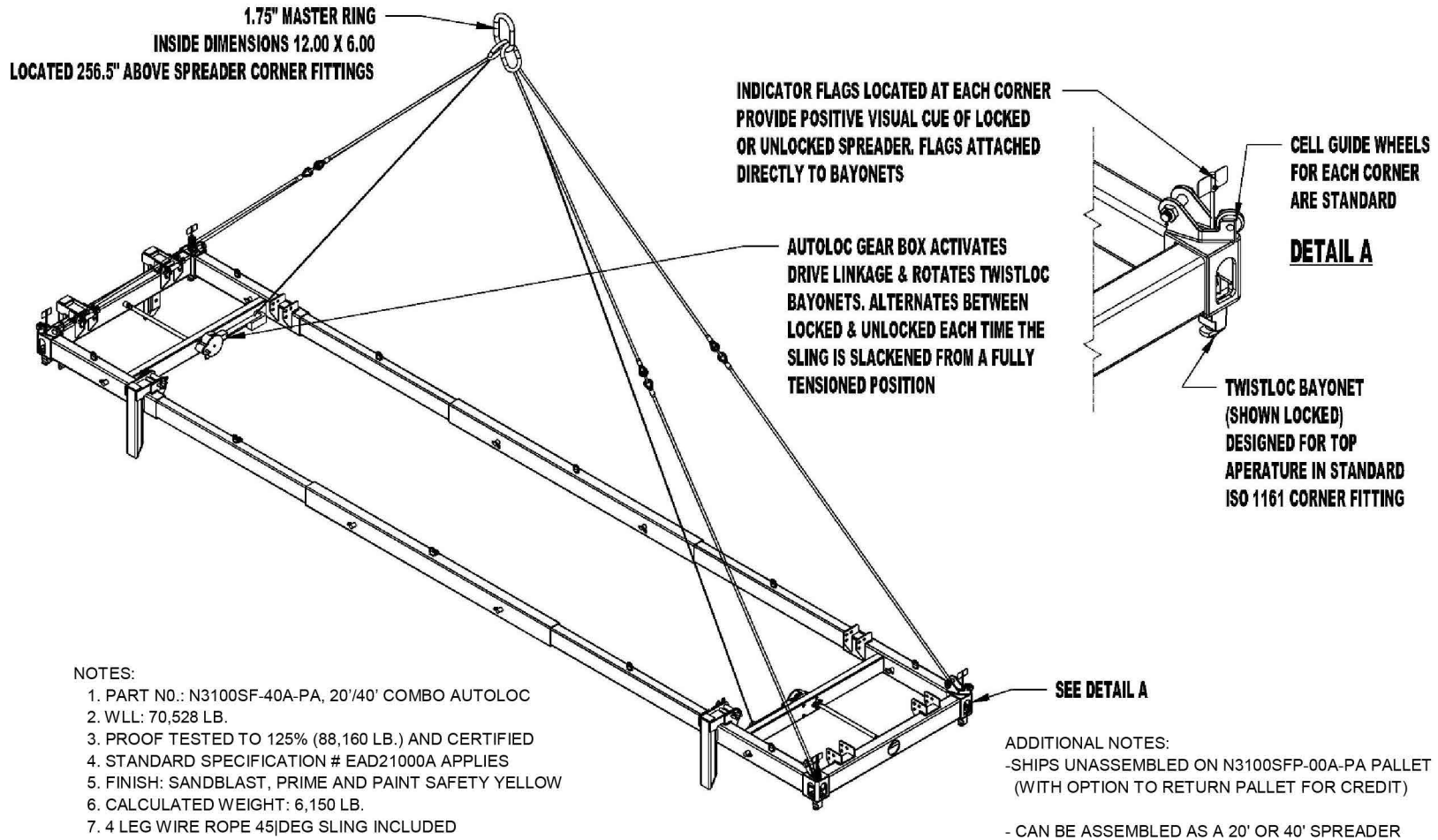
Tandemloc, Inc. designs, manufactures and tests lifting, securing and mobilizing components for all industries. See our website for details and important safety information.

Read all safety labels and instructions prior to use. Product to be used by qualified personnel only.

MODULAR AUTOLOC CONTAINER SPREADER, WLL 70,528 LB. (N3100SF-40A-PA)

Cage Code: 65059 | Drawing No: SN3100SF-40A-PA | Revision: - | Sheet: 1 of 2

UNLESS OTHERWISE SPECIFIED, DIMENSIONS ARE IN INCHES



To avoid lifter failure, potential death and property damage, never exceed WLL (Working Load Limit).

This document contains the proprietary information of Tandemloc, Inc. and your access and use shall be, and is at all times, pursuant to and limited by the Tandemloc, Inc. Terms of Use.

You shall not, and shall not encourage, assist, or authorize another party to copy, distribute, publicly display, modify, reverse engineer, decompile, or take any other action to reproduce this document or the information contained herein. © Copyright 2014 by Tandemloc, Inc.

Dimensions are subject to manufacturing tolerance and change.



Email: info@tandemloc.com • www.tandemloc.com
824 Highway 101 • Havelock, NC 28532
Tel: 1.800.258.7324 (252.447.7155)
FAX 1.800.892.3273 (252.447.5502)

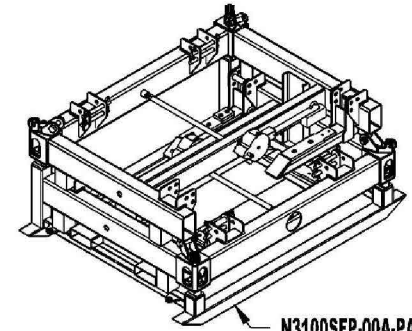
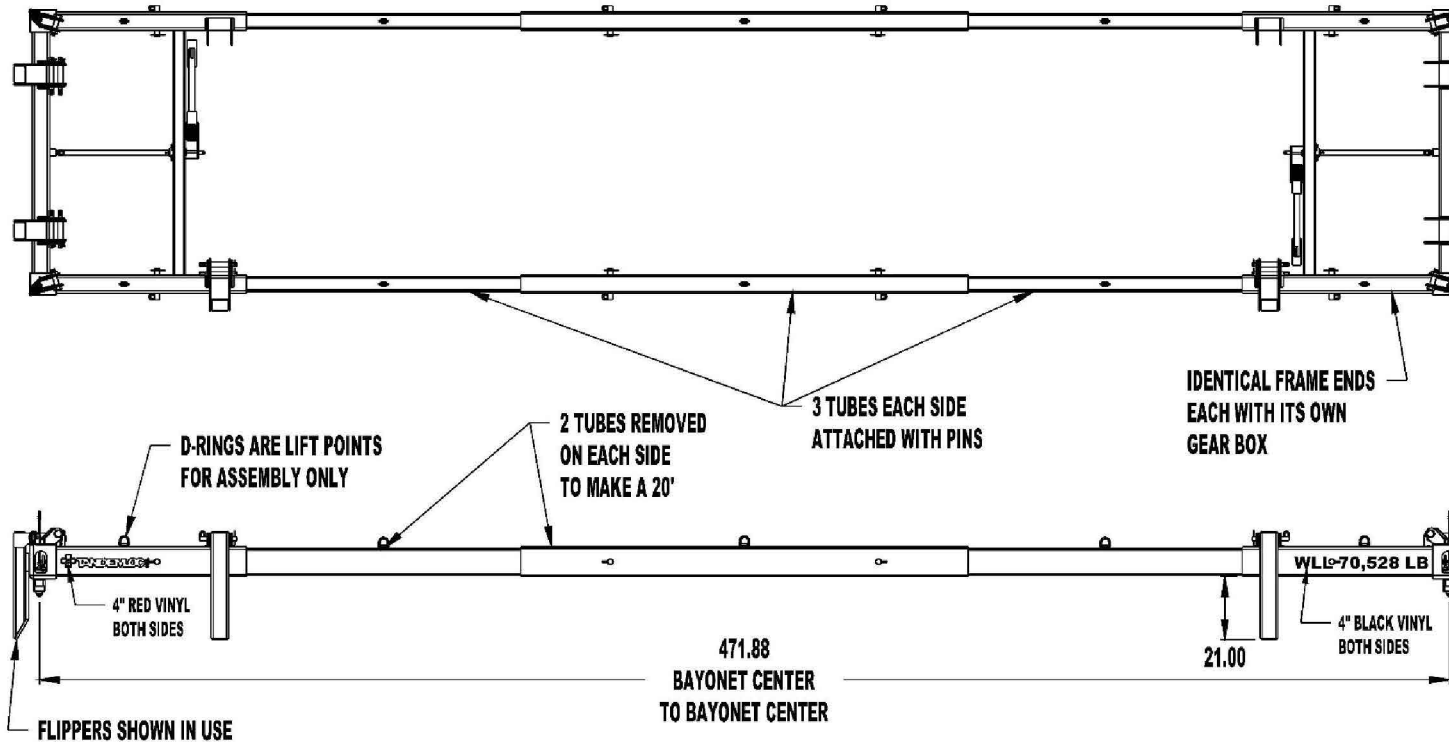
Tandemloc, Inc. designs, manufactures and tests lifting, securing and mobilizing components for all industries. See our website for details and important safety information.

Read all safety labels and instructions prior to use. Product to be used by qualified personnel only.

MODULAR AUTOLOC CONTAINER SPREADER, WLL 70,528 LB. (N3100SF-40A-PA)

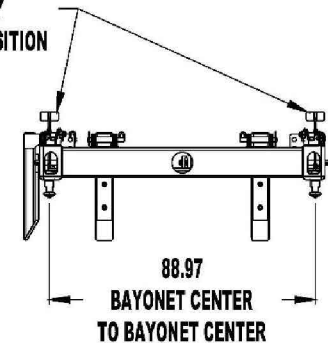
Cage Code: 65059 | Drawing No: SN3100SF-40A-PA | Revision: - | Sheet: 2 of 2

UNLESS OTHERWISE SPECIFIED, DIMENSIONS ARE IN INCHES



2 FRAME ENDS ON STEEL PALLET
6 TUBES AND SLING SEPARATE

FLAGS VERIFY
BAYONET POSITION



NOTES:

1. PART NO.: N3100SF-40A-PA, 20/40' COMBO AUTOLOC
2. WLL: 70,528 LB.
3. PROOF TESTED TO 125% (88,160 LB.) AND CERTIFIED
4. STANDARD SPECIFICATION # EAD21000A APPLIES
5. FINISH: SANDBLAST, PRIME AND PAINT SAFETY YELLOW
6. CALCULATED WEIGHT: 6,150 LB.
7. 4 LEG WIRE ROPE 45]DEG SLING INCLUDED, NOT SHOWN

ADDITIONAL NOTES:

- SHIPS UNASSEMBLED ON N3100SFP-00A-PA PALLET (WITH OPTION TO RETURN PALLET FOR CREDIT)
- CAN BE ASSEMBLED AS A 20' OR 40' SPREADER

To avoid lifter failure, potential death and property damage, never exceed WLL (Working Load Limit).

This document contains the proprietary information of Tandemloc, Inc. and your access and use shall be, and is at all times, pursuant to and limited by the Tandemloc, Inc. Terms of Use.

You shall not, and shall not encourage, assist, or authorize another party to copy, distribute, publicly display, modify, reverse engineer, decompile, or take any other action to reproduce this document or the information contained herein. © Copyright 2014 by Tandemloc, Inc.

Dimensions are subject to manufacturing tolerance and change.



Email: info@tandemloc.com • www.tandemloc.com
824 Highway 101 • Havelock, NC 28532
Tel: 1.800.258.7324 (252.447.7155)
FAX 1.800.892.3273 (252.447.5502)

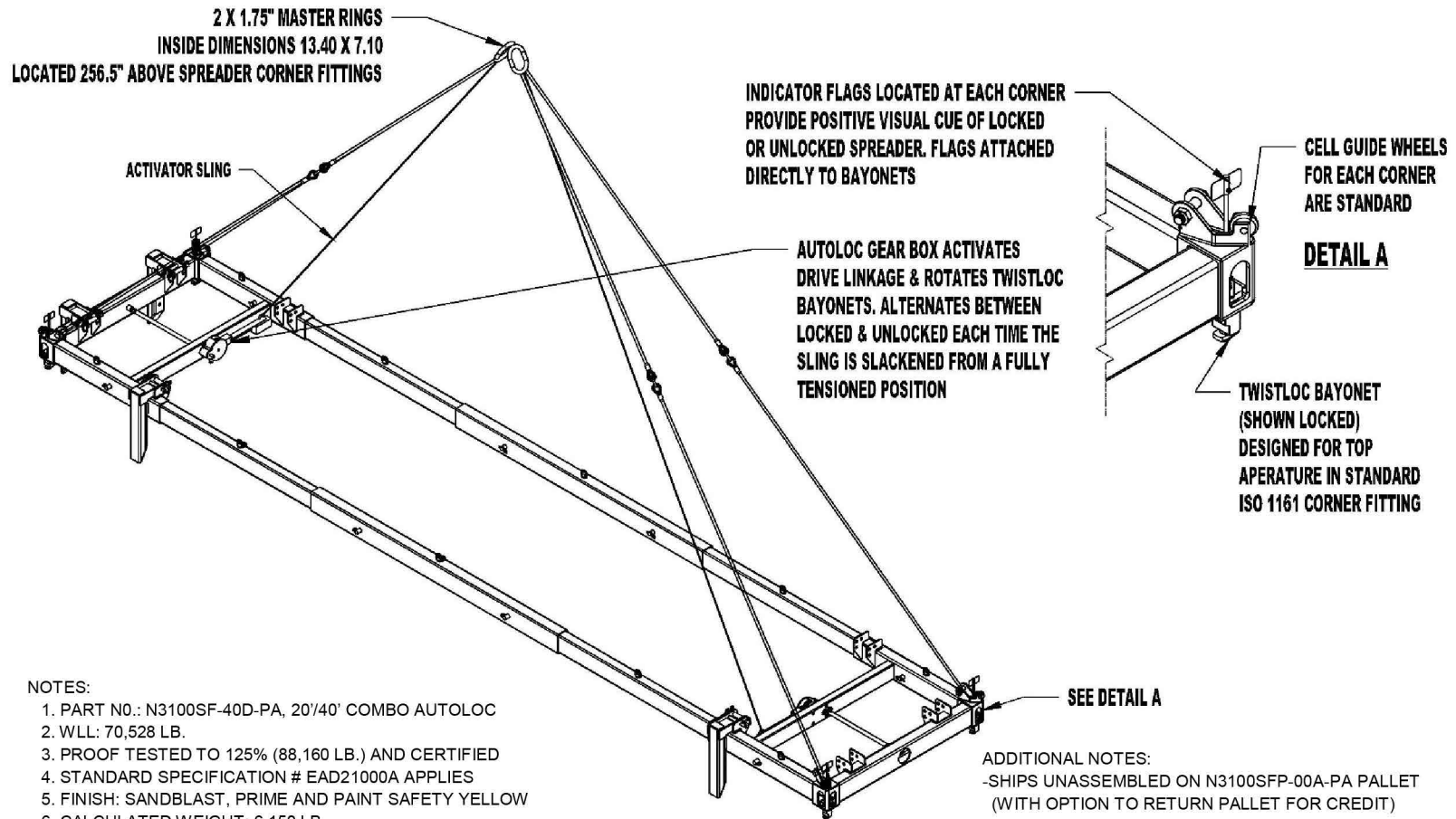
Tandemloc, Inc. designs, manufactures and tests lifting, securing and mobilizing components for all industries. See our website for details and important safety information.

Read all safety labels and instructions prior to use. Product to be used by qualified personnel only.

MODULAR AUTOLOC CONTAINER SPREADER, WLL 70,528 LB. (N3100SF-40D-PA)

Cage Code: 65059 | Drawing No: SN3100SF-40D-PA | Revision: - | Sheet: 1 of 2

UNLESS OTHERWISE SPECIFIED, DIMENSIONS ARE IN INCHES



NOTES:

1. PART NO.: N3100SF-40D-PA, 20'/40' COMBO AUTOLOC
2. WLL: 70,528 LB.
3. PROOF TESTED TO 125% (88,160 LB.) AND CERTIFIED
4. STANDARD SPECIFICATION # EAD21000A APPLIES
5. FINISH: SANDBLAST, PRIME AND PAINT SAFETY YELLOW
6. CALCULATED WEIGHT: 6,150 LB.
7. 4 LEG WIRE ROPE 45|DEG SLING INCLUDED FOR DOUBLE HORN HOOK

ADDITIONAL NOTES:

- SHIPS UNASSEMBLED ON N3100SFP-00A-PA PALLET
(WITH OPTION TO RETURN PALLET FOR CREDIT)
- CAN BE ASSEMBLED AS A 20' OR 40' SPREADER

To avoid lifter failure, potential death and property damage, never exceed WLL (Working Load Limit).

This document contains the proprietary information of Tandemloc, Inc. and your access and use shall be, and is at all times, pursuant to and limited by the Tandemloc, Inc. Terms of Use.

You shall not, and shall not encourage, assist, or authorize another party to copy, distribute, publicly display, modify, reverse engineer, decompile, or take any other action to reproduce this document or the information contained herein. © Copyright 2014 by Tandemloc, Inc.

Dimensions are subject to manufacturing tolerance and change.



Email: info@tandemloc.com • www.tandemloc.com
824 Highway 101 • Havelock, NC 28532
Tel: 1.800.258.7324 (252.447.7155)
FAX 1.800.892.3273 (252.447.5502)

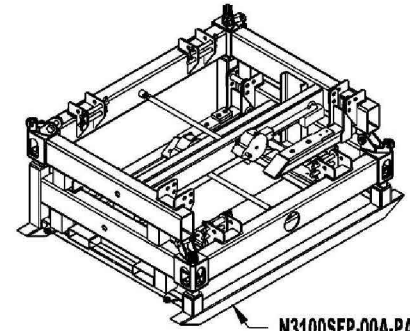
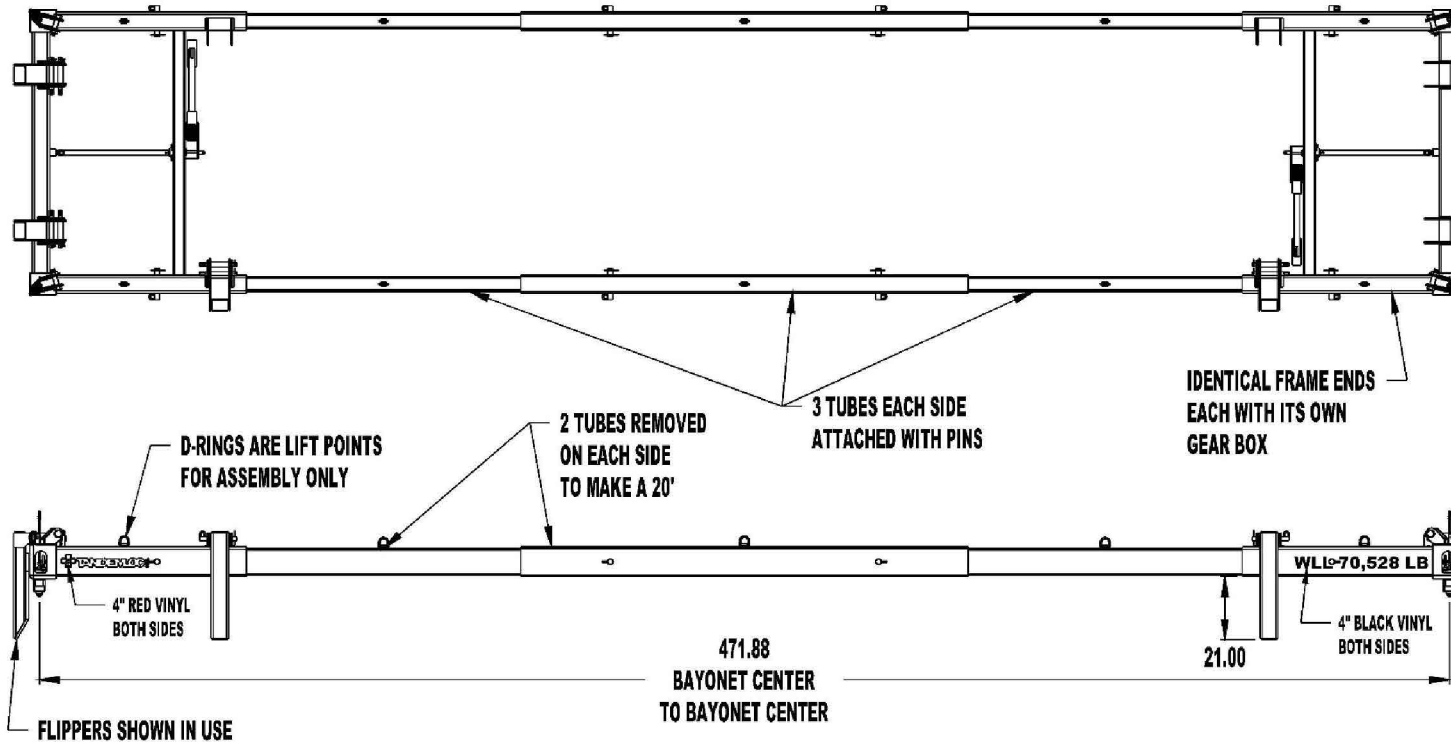
Tandemloc, Inc. designs, manufactures and tests lifting, securing and mobilizing components for all industries. See our website for details and important safety information.

Read all safety labels and instructions prior to use. Product to be used by qualified personnel only.

MODULAR AUTOLOC CONTAINER SPREADER, WLL 70,528 LB. (N3100SF-40D-PA)

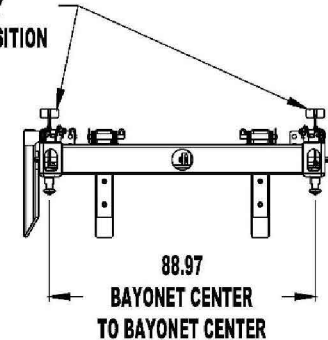
Cage Code: 65059 | Drawing No: SN3100SF-40D-PA | Revision: - | Sheet: 2 of 2

UNLESS OTHERWISE SPECIFIED, DIMENSIONS ARE IN INCHES



2 FRAME ENDS ON STEEL PALLET
6 TUBES AND SLING SEPARATE

FLAGS VERIFY
BAYONET POSITION



NOTES:

1. PART NO.: N3100SF-40D-PA, 20'/40' COMBO AUTOLOC
2. WLL: 70,528 LB.
3. PROOF TESTED TO 125% (88,160 LB.) AND CERTIFIED
4. STANDARD SPECIFICATION # EAD21000A APPLIES
5. FINISH: SANDBLAST, PRIME AND PAINT SAFETY YELLOW
6. CALCULATED WEIGHT: 6,150 LB.
7. 4 LEG WIRE ROPE 45|DEG SLING INCLUDED FOR DOUBLE HORN HOOK, NOT SHOWN

ADDITIONAL NOTES:

- SHIPS UNASSEMBLED ON N3100SFP-00A-PA PALLET (WITH OPTION TO RETURN PALLET FOR CREDIT)
- CAN BE ASSEMBLED AS A 20' OR 40' SPREADER

To avoid lifter failure, potential death and property damage, never exceed WLL (Working Load Limit).

This document contains the proprietary information of Tandemloc, Inc. and your access and use shall be, and is at all times, pursuant to and limited by the Tandemloc, Inc. Terms of Use.

You shall not, and shall not encourage, assist, or authorize another party to copy, distribute, publicly display, modify, reverse engineer, decompile, or take any other action to reproduce this document or the information contained herein. © Copyright 2014 by Tandemloc, Inc.

Dimensions are subject to manufacturing tolerance and change.



Email: info@tandemloc.com • www.tandemloc.com
 824 Highway 101 • Havelock, NC 28532
 Tel: 1.800.258.7324 (252.447.7155)
 FAX 1.800.892.3273 (252.447.5502)

Tandemloc, Inc. designs, manufactures and tests lifting, securing and mobilizing components for all industries. See our website for details and important safety information.

Read all safety labels and instructions prior to use. Product to be used by qualified personnel only.