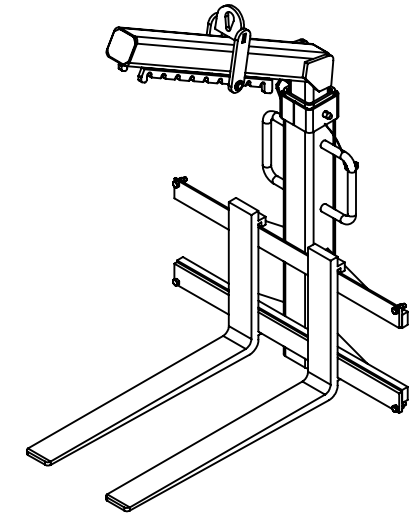
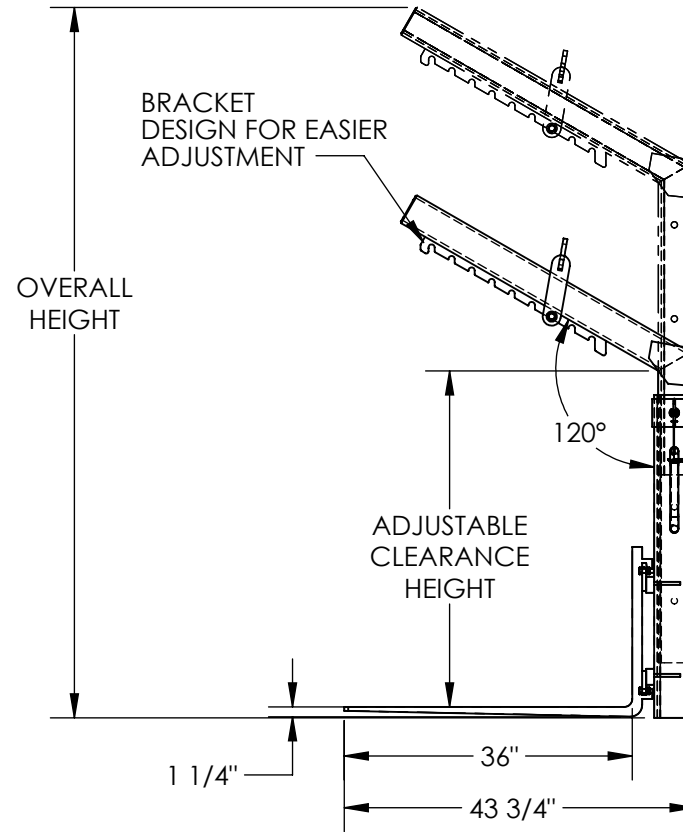
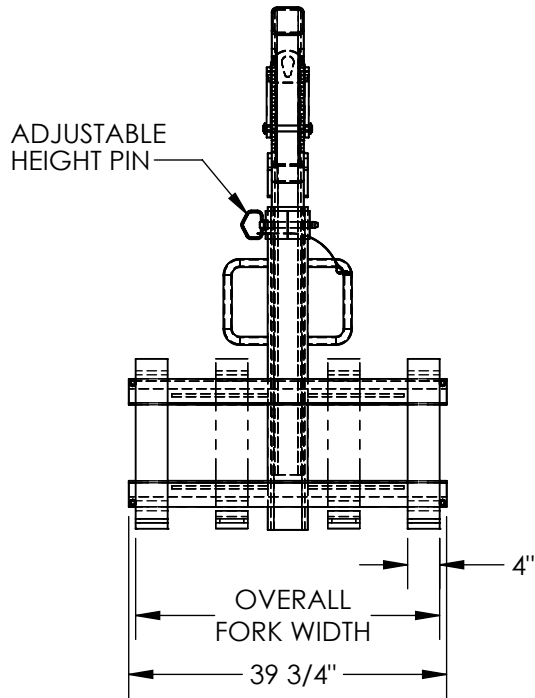


DELUXE OVERHEAD LOAD LIFTER - OLA-4-36-DLX

APPROX WEIGHT: 437.60 lbs.
 DOES NOT INCLUDE WEIGHT OF POWER OR PACKAGING!!!

*** ANY ADDITIONS, DELETIONS, OR OMISSIONS MUST BE CORRECTED ON THIS DRAWING AS THIS DRAWING WILL BE CONSIDERED ALL INCLUSIVE ***

ALL GRAPHICS PROVIDED ARE FOR REFERENCE ONLY. IF CERTAIN DIMENSIONS ARE CRITICAL PLEASE VERIFY THOSE DIMENSIONS WITH YOUR SALESPERSON



DIMENSION TOLERANCE ± 1/4"

STANDARD FEATURES

- MODEL NUMBER IS OLA-4-36-DLX
- MAX CAPACITY IS 4,000 LBS
- ADJUSTABLE CLEARANCE HEIGHT IS 42 1/4", 54", 65 3/4"
- OVERALL HEIGHT IS 65 11/16", 77 7/16", 89 3/16"
- ADJUSTABLE OVERALL FORK WIDTH IS 13" TO 38" (OUTSIDE)
- USABLE FORK LENGTH IS 36"
- FORK SIZE IS 1 1/4" X 4"
- FULLY EXT. HEIGHT IS 89 3/16"
- FULLY RET. HEIGHT IS 65 11/16"
- OVERALL WIDTH IS 39 3/4"
- OVERALL LENGTH IS 43 3/4"
- DURABLE LIQUID PAINT BLUE FINISH

SPECIAL FEATURES

NONE

APPROVAL

I, THE UNDERSIGNED, AGREE THAT THE PRODUCT AS REPRESENTED SATISFIES DESIGN AND DIMENSION REQUIREMENTS. I ALSO ACKNOWLEDGE MY DUTY TO CONFIRM PRODUCT AND INSTALLATION COMPLIANCE WITH ALL APPLICABLE FEDERAL, STATE AND LOCAL REGULATIONS AND STANDARDS.

UNITS REQUIRING APPROVAL DRAWINGS OR MODIFIED ARE NON-RETURNABLE

As drawn As marked

Signed: _____ Date: _____

Printed Name: _____

LEAD TIME WILL START UPON RECEIPT OF SIGNED APPROVAL DRAWING

DISTRIBUTOR'S NAME:		P.O.#
VESTIL MANUFACTURING		X
DRAWN BY: B. HORN		W.O.#
DATE: 5/11/2016		X
REFERENCE: X	SCALE: 1:24	SALES: X
QUOTED LEAD TIME: X	QUOTE #	FILE NAME:
	X	38-007-033