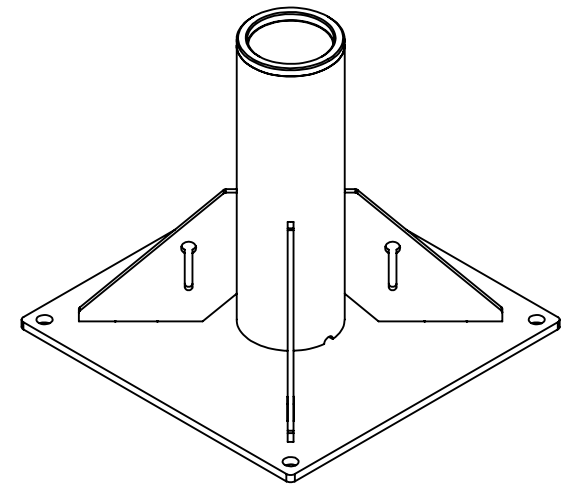
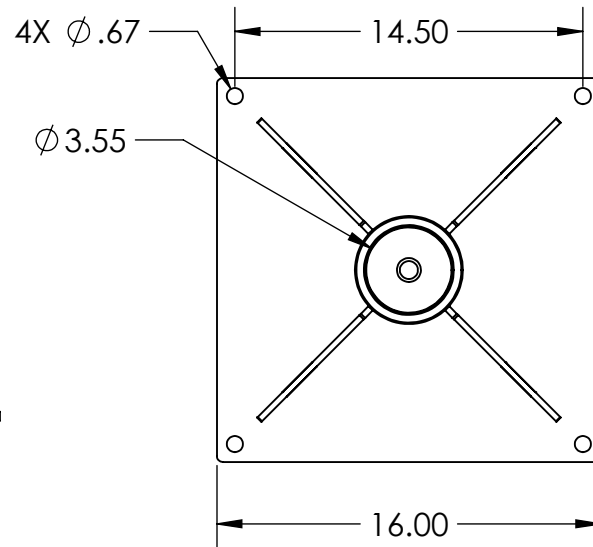
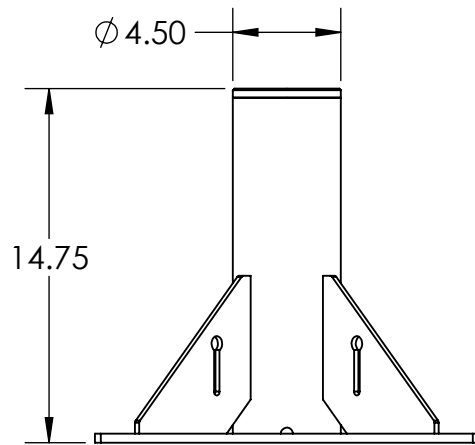


B



ISOMETRIC VIEW

B

A

**PROPRIETARY AND CONFIDENTIAL**  
 THE INFORMATION CONTAINED IN THIS DRAWING IS THE SOLE PROPERTY OF OZ LIFTING PRODUCTS. ANY REPRODUCTION IN PART OR AS A WHOLE WITHOUT THE WRITTEN PERMISSION OF OZ LIFTING PRODUCTS IS PROHIBITED.

UNLESS OTHERWISE SPECIFIED:		NAME	DATE
DIMENSIONS ARE IN INCHES		DRAWN	JMR 9/28/2022
TOLERANCES:		CHECKED	
FRACTIONAL $\pm 1/16$		ENG APPR.	
ANGULAR: MACH $\pm 1/2$ degree		MFG APPR.	
TWO PLACE DECIMAL $\pm .02$		Q.A.	
THREE PLACE DECIMAL $\pm .005$		COMMENTS:	
SPECIFIC TOLERANCES TO BE CALLED OUT IF NEEDED.			
MATERIAL			
Assembly			
FINISH			
Zinc Plate			
DO NOT SCALE DRAWING			



TITLE: Pedestal Base

SIZE	Part #	REV
<b>A</b>	OZPED1-TP	<b>B</b>
SCALE: 1:8	WEIGHT: 46.682	SHEET 2 OF 2

A

2

1