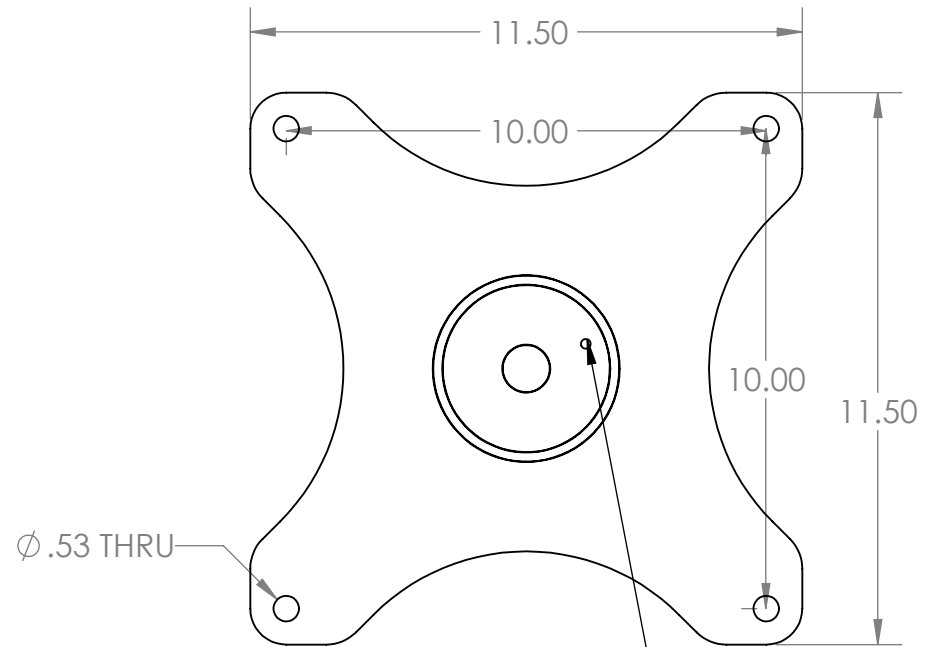
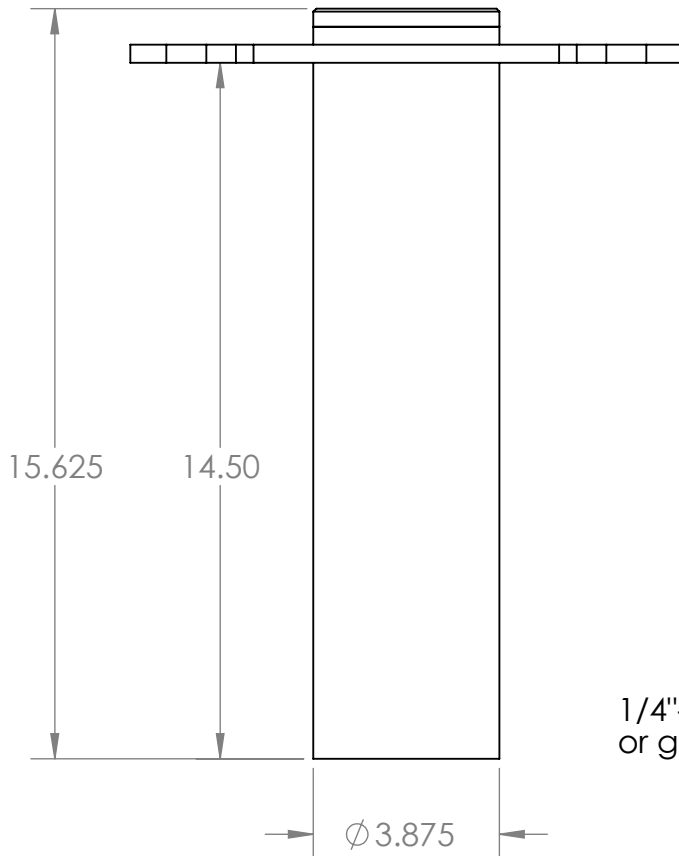


B




1/4"-20 Tapped hole for use as drainage, plug, or grease zerk depending on useage.

B

A

A

UNLESS OTHERWISE SPECIFIED:		NAME	DATE		
DIMENSIONS ARE IN INCHES		DRAWN	GFL 7/17/15		
TOLERANCES:		CHECKED			
FRACTIONAL $\pm 1/16$		ENG APPR.			
ANGULAR: MACH $\pm 1/2$ degree		MFG APPR.			
TWO PLACE DECIMAL $\pm .02$		Q.A.			
THREE PLACE DECIMAL $\pm .005$		COMMENTS:			
SPECIFIC TOLERANCES TO BE CALLED OUT IF NEEDED.					
MATERIAL				TITLE: Davit 1000 Socket Base	
FINISH				SIZE	Part #
DO NOT SCALE DRAWING				REV	
<p>PROPRIETARY AND CONFIDENTIAL</p> <p>THE INFORMATION CONTAINED IN THIS DRAWING IS THE SOLE PROPERTY OF OZ LIFTING PRODUCTS. ANY REPRODUCTION IN PART OR AS A WHOLE WITHOUT THE WRITTEN PERMISSION OF OZ LIFTING PRODUCTS IS PROHIBITED.</p>		<p>A</p> <p>OZSOC2</p>	<p>A</p>		
		SCALE: 1:4	WEIGHT: 19.5lbs	SHEET 1 OF 1	

2

1