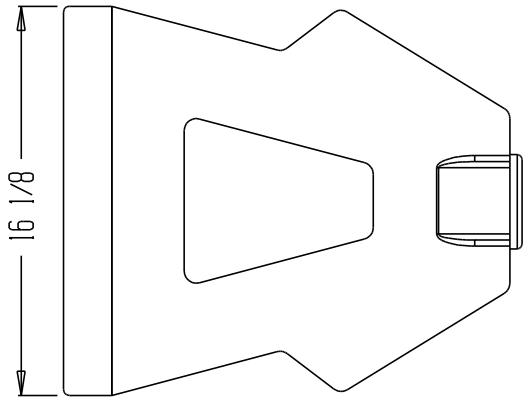
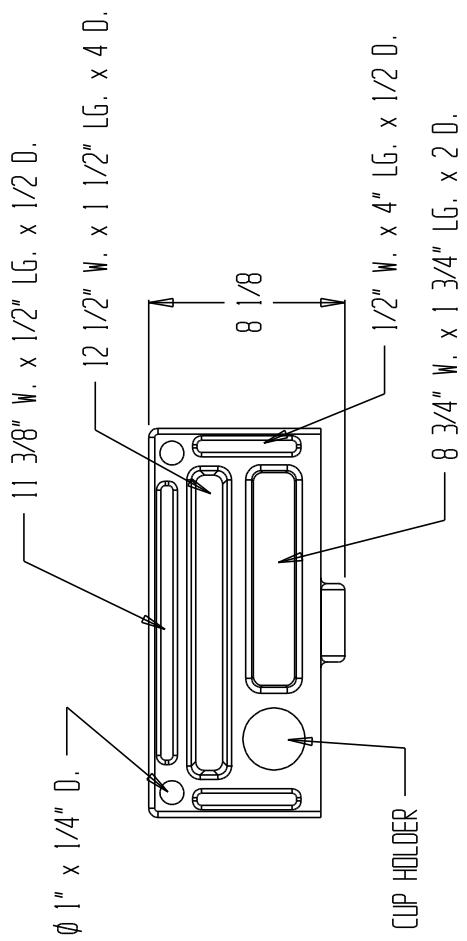


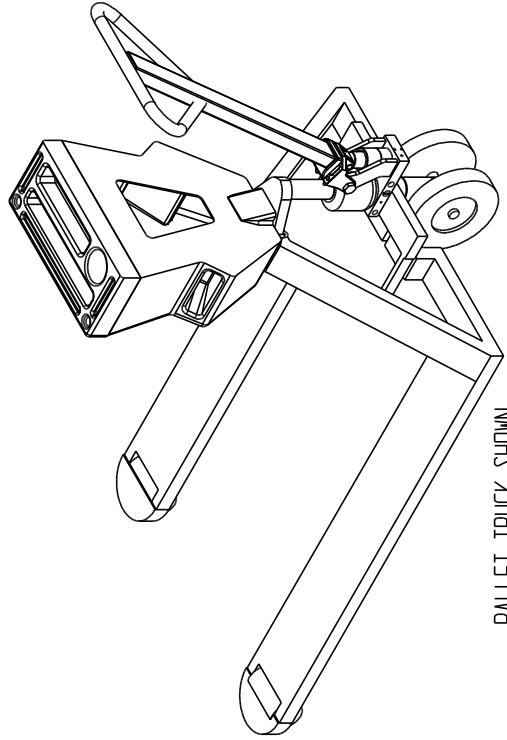
****SPECIAL UNITS ARE NON-RETURNABLE
*AVAILABLE AT ADDITIONAL COSTS**

PALLET CADDY, P-CADDY



4 1/4" W. x 1" LG. x 4 1/2 D.

PALLET TRUCK SHOWN
FOR REFERENCE ONLY



STANDARD FEATURES

- MODEL NUMBER: P-CADDY
- OVERALL WIDTH: 16 1/4"
- OVERALL HEIGHT: 19"
- OVERALL DEPTH: 8 1/8"

Any additions, deletions or omissions must be corrected on this drawing, as this drawing will be considered all inclusive.

SPECIAL FEATURES

NONE

PRODUCTION WILL START UPON
RECEIPT OF SIGNED APPROVAL
DRAWING

****SPECIAL UNITS ARE NON-RETURNABLE
*AVAILABLE AT ADDITIONAL COSTS**

All graphics provided are for reference only.
If certain dimensions are critical please
verify those dimensions with your salesperson

A	FOR INTERNAL USE ONLY
P	PROJECT SIGN OFF
R	SALES
O	ENG
V	FAB.
A	POWER
L	

I, THE UNDERSIGNED, AGREE THAT THE PRODUCT AS REPRESENTED SATISFIES DESIGN & DIMENSION REQUIREMENTS. I ALSO ACKNOWLEDGE MY DUTY TO CONFIRM PRODUCT & INSTALLATION COMPLIANCE WITH ALL APPLICABLE FEDERAL, STATE AND LOCAL REGULATIONS & STANDARDS.
ANY MODIFIED UNITS ARE NON-RETURNABLE
() As drawn () As marked
Signed: _____ Date: _____
Printed Name: _____
LEAD TIME WILL START UPON RECEIPT OF SIGNED APPROVAL DRAWING

DISTRIBUTOR'S NAME: VESTIL MANUFACTURING	
DATE: 4-20-06	P.O.#: -
SALES: -	V.O.#: -
SCALE: 1:8	
QUOTE #: -	
DRAWN BY: SR	
REFERENCE: -	
QUOTED LEADTIME: -	
P-CADDY	