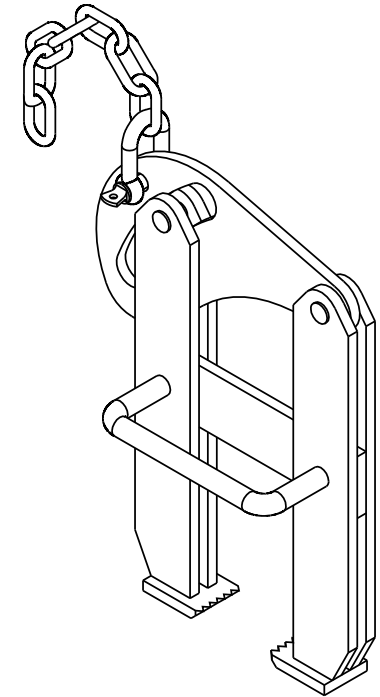
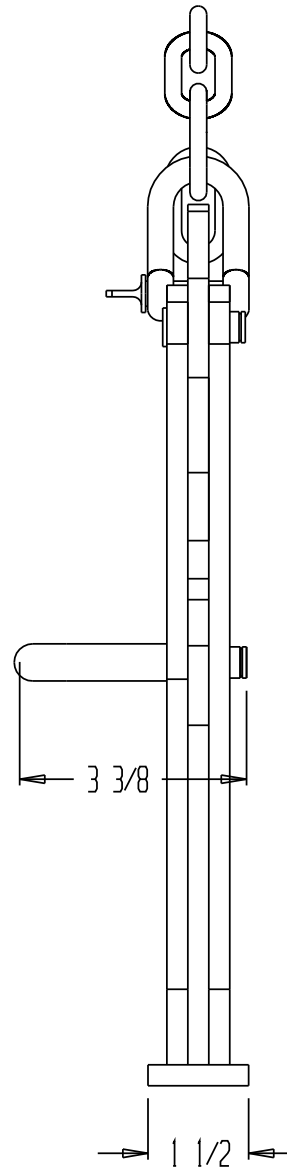
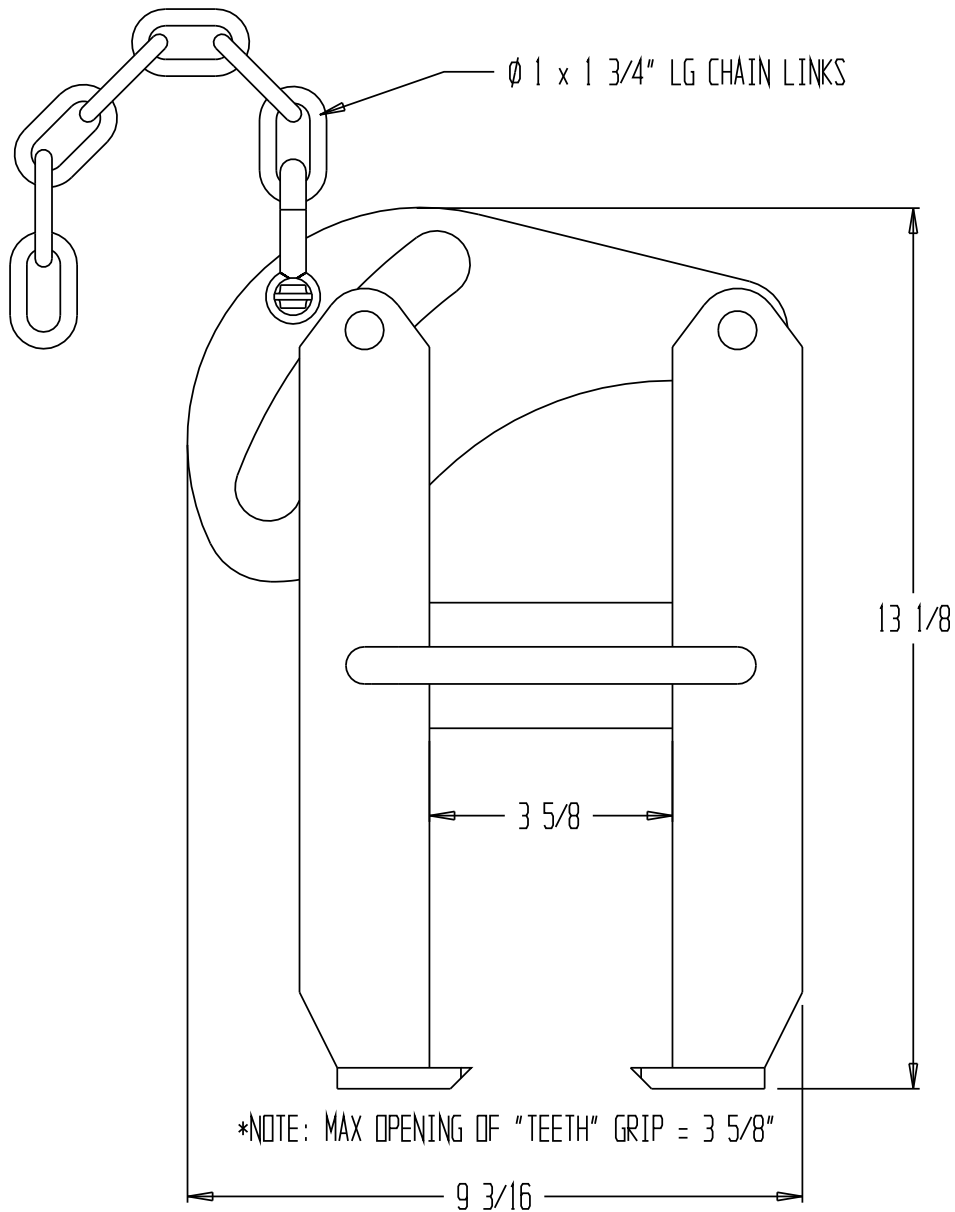


# CAM ACTION PALLET PULLER - PAL-14



3D VIEW SCALE: 1:5

LEAD TIME WILL START UPON  
RECEIPT OF SIGNED APPROVAL  
DRAWING

## APPROVAL

I, the undersigned, hereby approve this print  
 As drawn       As marked  
 This includes my approval of design & dimensions.  
 Signed: \_\_\_\_\_  
 Date: \_\_\_\_\_

## STANDARD FEATURES

MODEL NUMBER: PAL-14  
 CAPACITY: 5,000 LBS.  
 JAW HEIGHT: 1 1/2"  
 JAW OPENING: 3"

## SPECIAL FEATURES

NONE

\*\*SPECIAL UNITS ARE NON-RETURNABLE  
 \*AVAILABLE AT ADDITIONAL COSTS

DISTRIBUTOR'S NAME: <b>VESTIL MANUFACTURING</b>		P.O.#: -
DRAWN BY: KY		W.O.#: -
DATE: 2/14/05		SALES: -
REFERENCE: -	SCALE: 1:3	DRWG./FILE NAME: 36-007-013