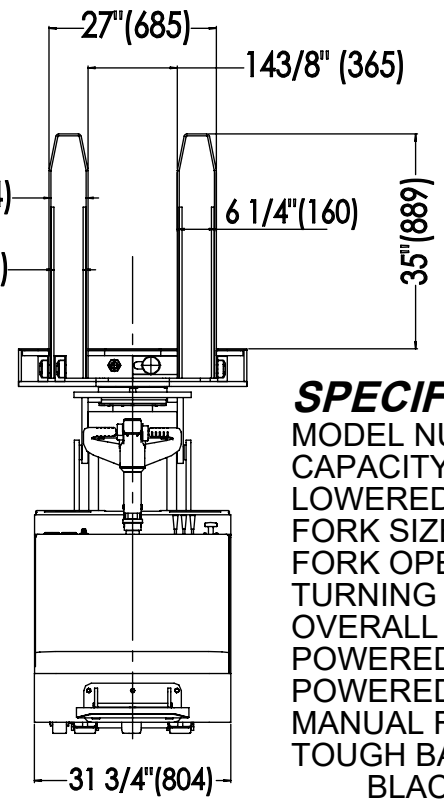
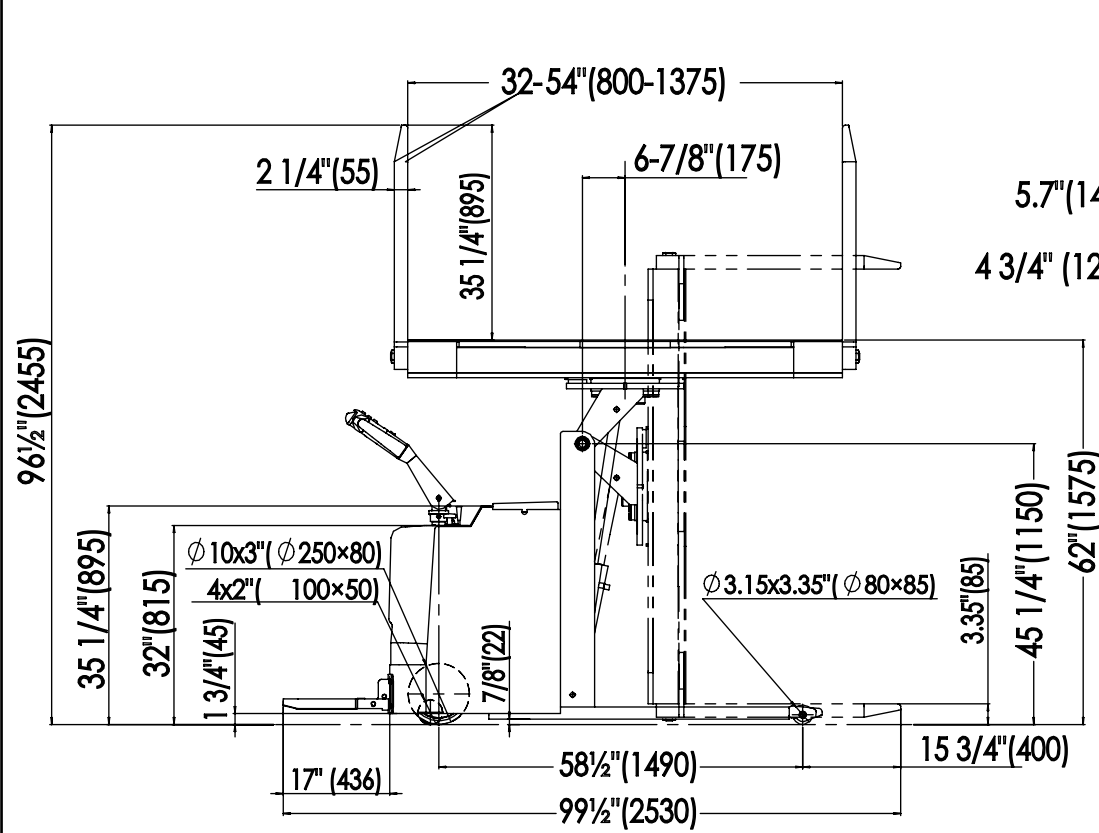


# LOW PROFILE PORTABLE PALLET INVERTER - PI-P-3000-3254

APPROX WEIGHT: 1,650 LBS  
 DOES NOT INCLUDE WEIGHT OF POWER OR PACKAGING!!!

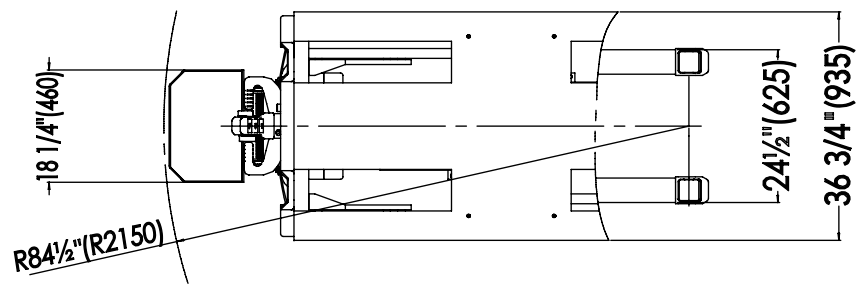
\*\*\* ANY ADDITIONS, DELETIONS, OR OMISSIONS MUST BE CORRECTED ON THIS DRAWING AS THIS DRAWING WILL BE CONSIDERED ALL INCLUSIVE \*\*\*  
 ALL GRAPHICS PROVIDED ARE FOR REFERENCE ONLY. IF CERTAIN DIMENSIONS ARE CRITICAL PLEASE VERIFY THOSE DIMENSIONS WITH YOUR SALESPERSON



**NOTE:**  
 THIS PRODUCT WORKS WITH SKIDS,  
 NOT CLOSED BOTTOM PALLETS.  
 USE WITH US STANDARD 40" x 48"  
 SKIDS ONLY.

**SPECIFICATIONS:**  
 MODEL NUMBER: PI-P-3000-3254  
 CAPACITY: 3,000 LBS.  
 LOWERED HEIGHT: 3 5/8"  
 FORK SIZE: 27" X 35 1/4"  
 FORK OPENING: 32-54"  
 TURNING RADIUS: 84 1/2"  
 OVERALL SIZE: 87 7/16" X 31 1/2" X 89 3/16"  
 POWERED PALLET TRUCK  
 MANUAL TILT UP / DOWN  
 MANUAL ROTATION  
 TOUGH BAKED IN POWDER COATED  
 BLACK & YELLOW FINISH

DIMENSION TOLERANCE  $\pm 1/2"$



TRAVEL SPEED UNLOADED: 2.8 m/h  
 TRAVEL SPEED LOADED: 2.1 m/h  
 DRIVE MOTOR: 24V/1.5 KW  
 LIFT MOTOR: 24V/2.0 KW  
 BATTERY: 4-6 VOLT / 200Ah  
 BATTERY CHARGER: 24V  
 CONTROLLER: 2207A-5102

FORK CLAMPING W/O LOAD: 9.5 SEC  
 FORK OPENING W/O LOAD: 10 SEC  
 FORK CLAMPING W/ LOAD: 14 SEC  
 FORK OPENING W/ LOAD: 7.5 SEC  
 FORK TILTING UP W/O LOAD: 15 SEC  
 FORK LOWERING DOWN W/O LOAD: 14 SEC  
 FORK TILTING UP W/ LOAD 23 SEC  
 FORK LOWERING DOWN W/ LOAD 13.5 SEC

**APPROVAL**

I, THE UNDERSIGNED, AGREE THAT THE PRODUCT AS REPRESENTED SATISFIES DESIGN AND DIMENSION REQUIREMENTS. I ALSO ACKNOWLEDGE MY DUTY TO CONFIRM PRODUCT AND INSTALLATION COMPLIANCE WITH ALL APPLICABLE FEDERAL, STATE AND LOCAL REGULATIONS AND STANDARDS.

**UNITS REQUIRING APPROVAL DRAWINGS OR MODIFIED ARE NON-RETURNABLE**

As drawn       As marked

Signed: \_\_\_\_\_ Date: \_\_\_\_\_

Printed Name: \_\_\_\_\_

LEAD TIME WILL START UPON RECEIPT OF SIGNED APPROVAL DRAWING

DISTRIBUTOR'S NAME:		P.O.#
VESTIL MANUFACTURING		X
DRAWN BY: TM		W.O.#
DATE: 06/10/2021		X
REFERENCE: X	SCALE: NTS	SALES: X
QUOTED LEAD TIME: X	QUOTE #	FILE NAME:
	X	PI-P-3000-3254