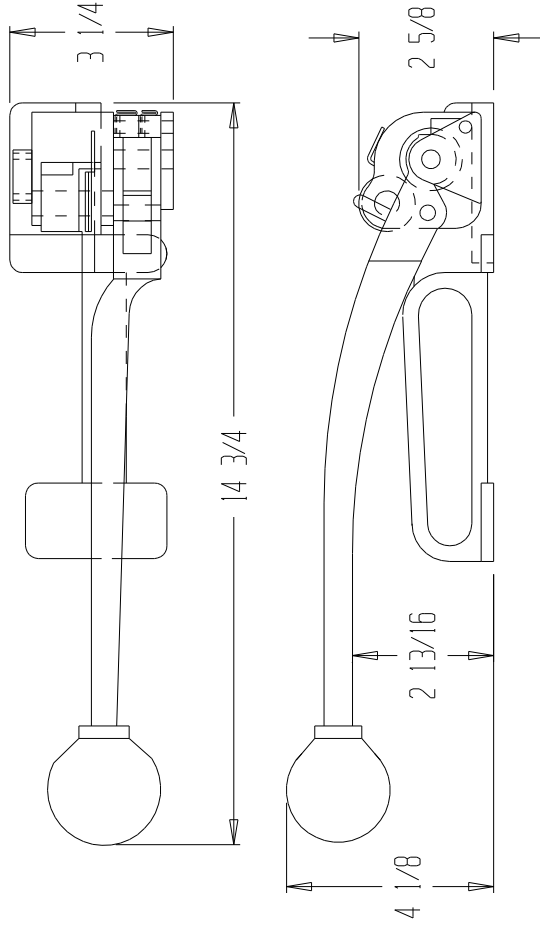


TENSIONER - PKG-ST



PRODUCTION WILL START UPON
RECEIPT OF SIGNED APPROVAL
DRAWING

APPROVAL

I, the undersigned, hereby approve this print
 As drawn As marked
 This includes my approval of design & dimensions.
 Signed: _____
 Date: _____

STANDARD FEATURES

- MODEL NUMBER: PKG-ST
- OVERALL SIZE: 14 3/4" W x 4 1/8" H
- STRAPPING WIDTH: 3/8" TO 3/4"
- MATERIAL: STEEL
- COLOR: BLACK
- HANDLE OPENS TO 60 DEGREE ANGLE

SPECIAL FEATURES
NONE

DISTRIBUTOR'S NAME: VESTIL MANUFACTURING CORP.		P.O.#:
DRAWN BY: CJD		W.O.#:
DATE: 11/21/07	SALES:	
REFERENCE:	SCALE 1 : 4	DRWG./FILE NAME: PKG-ST

**SPECIAL UNITS ARE NON-RETURNABLE
 *AVAILABLE AT ADDITIONAL COSTS