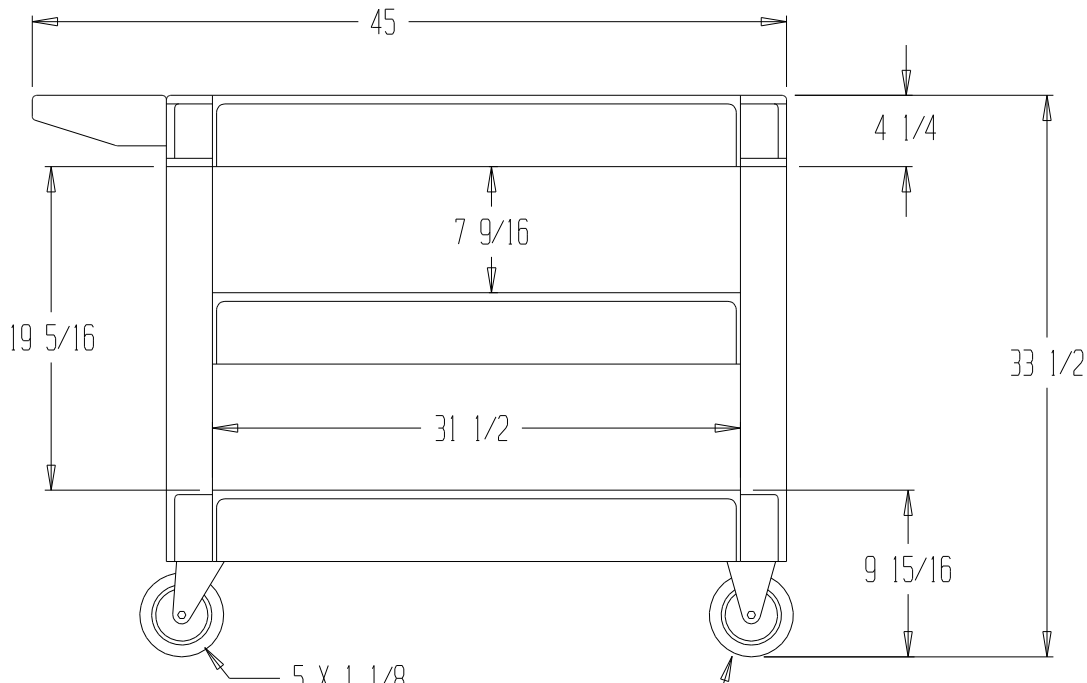
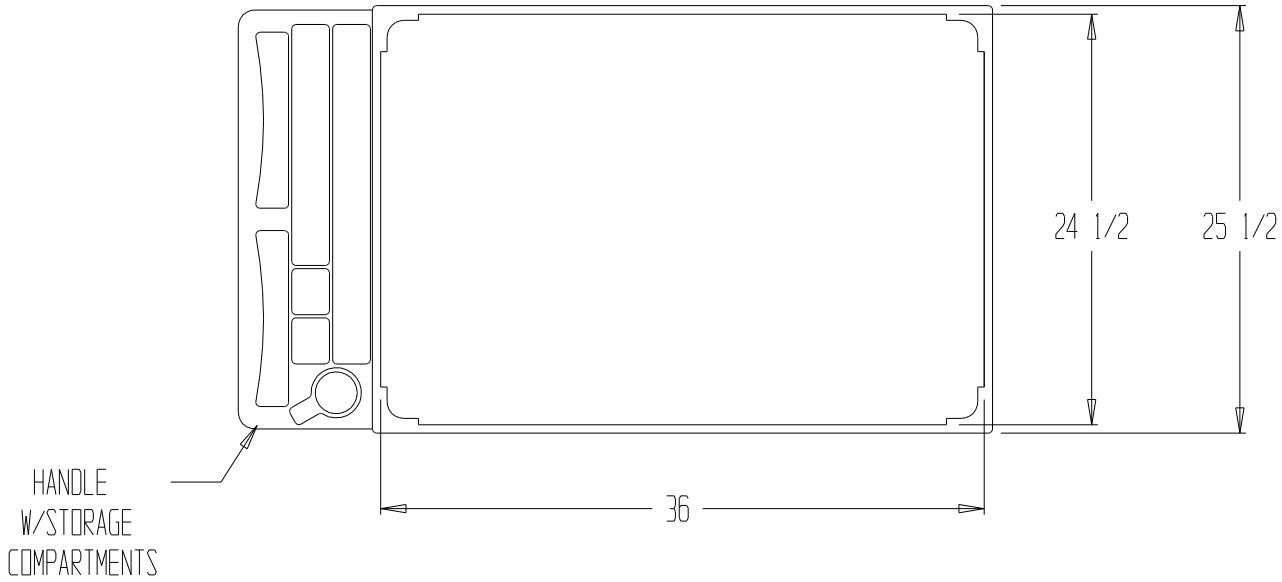


LEAD TIME WILL START UPON
RECEIPT OF SIGNED APPROVAL
DRAWING

PLASTIC UTILITY SERVICE CART, PLSC-3-2436



5 X 1 1/8
MOLD-ON-RUBBER
SWIVEL CASTERS

5 X 1 1/8
MOLD-ON-RUBBER
RIGID CASTERS

STANDARD FEATURES

MODEL NUMBER: PLSC-3-2436
SHELF CAPACITY: 250 LBS.
UNIT CAPACITY: 750 LBS.
USABLE SHELF: 24 1/2" W x 36" L x 4" H
OVERALL WIDTH: 25 1/2"
OVERALL LENGTH: 45"
OVERALL HEIGHT: 33 1/2"
SHELF CLEARANCE: 7 9/16"
MATERIAL: LIGHTWEIGHT STRUCTURAL FOAM PLASTIC

SPECIAL FEATURES

NONE

**SPECIAL UNITS ARE NON-RETURNABLE
*AVAILABLE AT ADDITIONAL COSTS

**Any additions, deletions or omissions must
be corrected on this drawing, as this drawing
will be considered all inclusive.**

*** ALL GRAPHICS PROVIDED ARE FOR REFERENCE ONLY.
IF CERTAIN DIMENSIONS ARE CRITICAL PLEASE VERIFY
THOSE DIMENSIONS WITH YOUR SALESPERSON. ***

APPROVAL

I, the undersigned, hereby approve this print
[] As drawn [] As marked
This includes my approval of design & dimensions.
Signed: _____
Date: _____

| | | |
|--|--|---------------------------------|
| DISTRIBUTOR'S NAME: VESTIL MANUFACTURING | | P.O.#: - |
| DRAWN BY: SR | | W.O.#: - |
| DATE: 12-21-07 | | SALES: - |
| REFERENCE: - | | DRWG./FILE NAME: PLSC-3-2436 |
| SCALE: 1:12 | | |