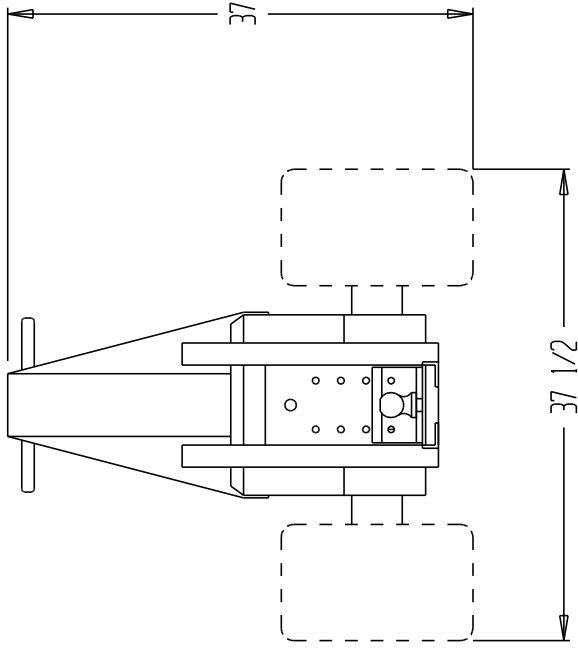
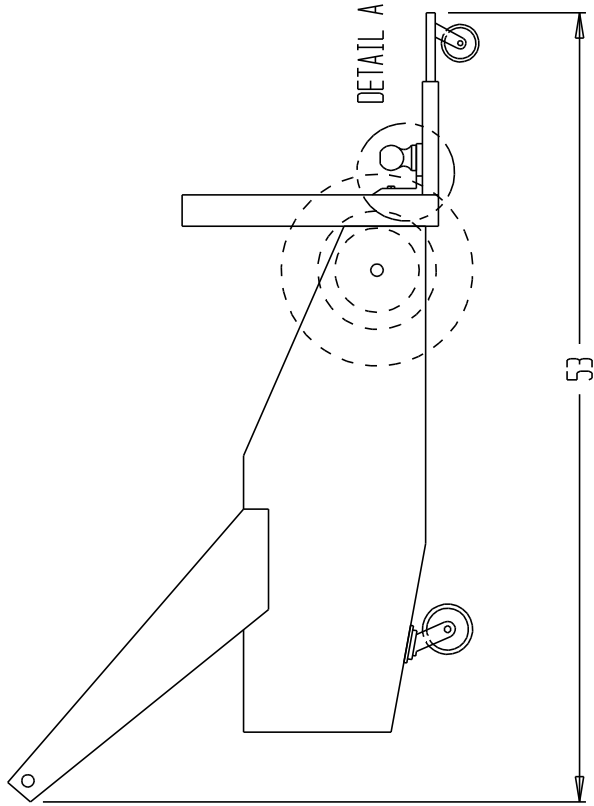


POWER MOVE MASTER PMM-1000



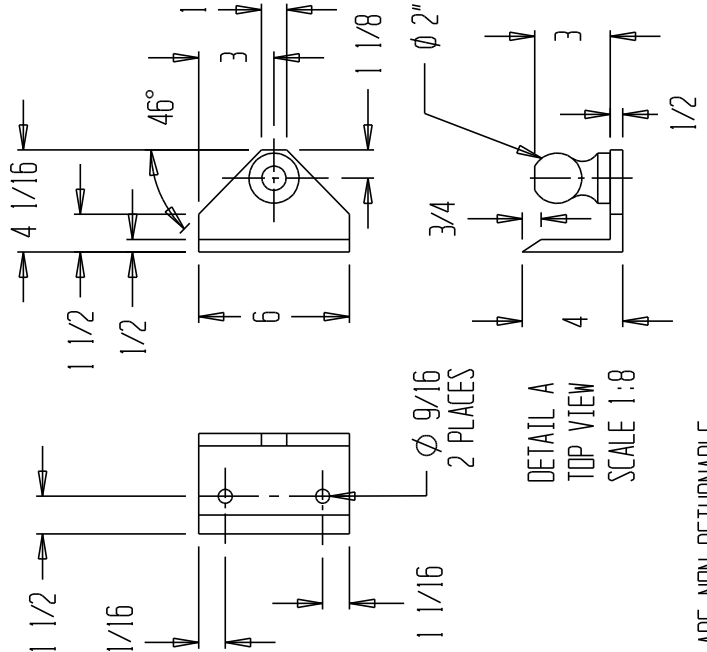
FRONT OR REAR CASTER NOT SHOWN IN VIEW

FOR INTERNAL USE ONLY PROJECT SIGN OFF	
SALES	
ENG	
FAB.	
POWER	

Any additions, deletions or omissions must be corrected on this drawing, as this drawing will be considered all inclusive.

All graphics provided are for reference only. If certain dimensions are critical please verify those dimensions with your salesperson

DIMENSION TOLERANCE +/- 1/2"



DETAIL A
TOP VIEW
SCALE 1:8

STANDARD FEATURES

- MODEL NUMBER: PMM-1000
- MAXIMUM PULL WEIGHT: 40,000 LBS.
- OVERALL WIDTH: 37 1/2"
- OVERALL LENGTH: 53"
- OVERALL HEIGHT: 37"
- TONGUE-WEIGHT LOAD FROM LIFT: 1,000 LBS.
- TIRE SIZE: 9 1/2" X 18"
- UNIT NET WEIGHT: 605 LBS.

**SPECIAL UNITS ARE NON-RETURNABLE
*AVAILABLE AT ADDITIONAL COSTS

A I, THE UNDERSIGNED, AGREE THAT THE PRODUCT AS REPRESENTED
P SATISFIES DESIGN & DIMENSION REQUIREMENTS. I ALSO ACKNOWLEDGE
P MY DUTY TO CONFORM PRODUCT & INSTALLATION COMPLIANCE WITH ALL
R APPLICABLE FEDERAL, STATE AND LOCAL REGULATIONS & STANDARDS.
O ANY MODIFIED UNITS ARE NON-RETURNABLE
V () As drawn () As marked Date: _____
A Signed: _____
L Printed Name: _____

LEAD TIME WILL START UPON RECEIPT OF SIGNED APPROVAL DRAWING

DISTRIBUTOR'S NAME: VESTIL MFG		P.O.#: -
DRAWN BY: S ROSE		W.O.#: -
REFERENCE: -	DATE: 12-23-03	SALES: -
QUOTED LEADTIME: -	SCALE: -	DRWG./FILE NAME: PMM-1000
QUOTE #:		