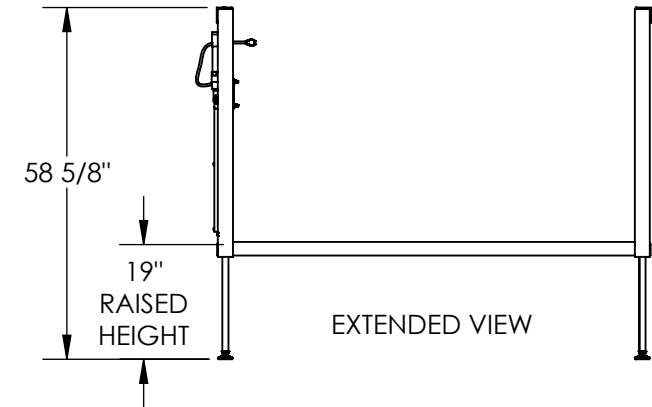
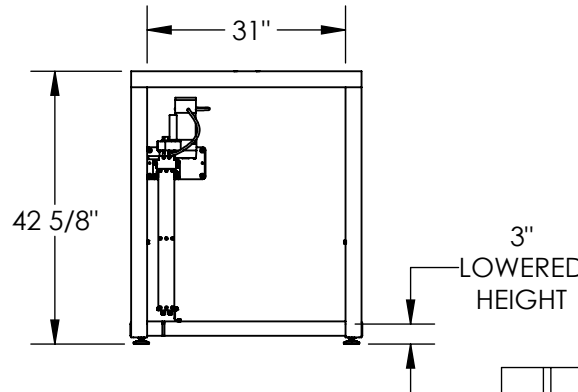
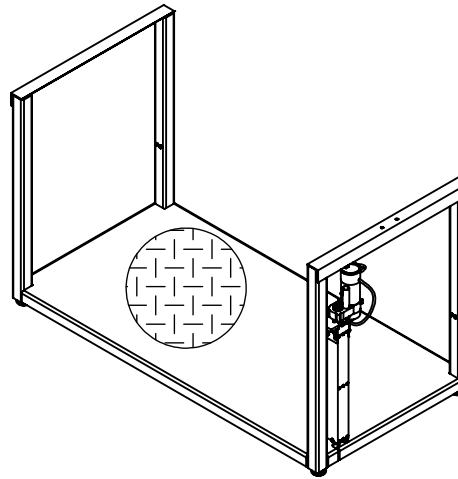
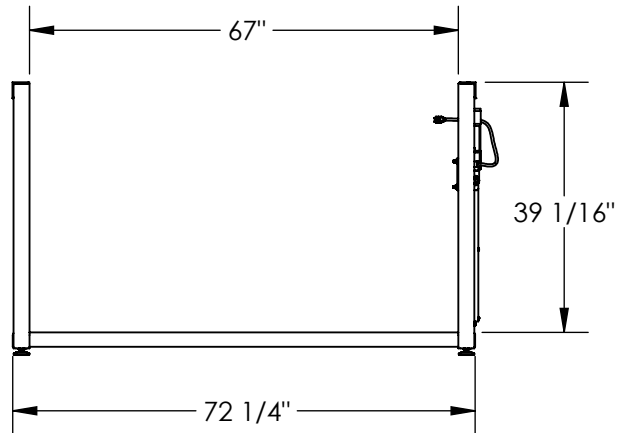
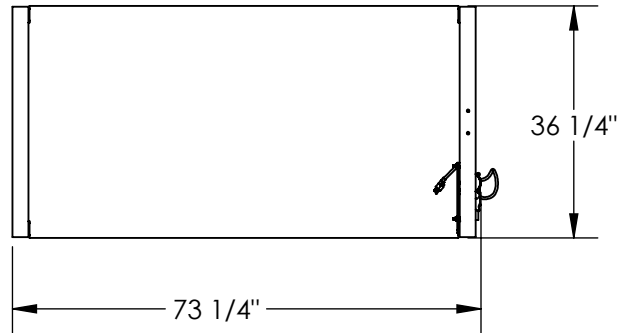


POSI-CRANK WORK PLATFORM W/ELECTRIC HYDRAULIC OPTION - POS-3672-EH

APPROX WEIGHT: 498.16 lbs.
 DOES NOT INCLUDE WEIGHT OF POWER OR PACKAGING!!!

*** ANY ADDITIONS, DELETIONS, OR OMISSIONS MUST BE CORRECTED ON THIS DRAWING AS THIS DRAWING WILL BE CONSIDERED ALL INCLUSIVE ***

ALL GRAPHICS PROVIDED ARE FOR REFERENCE ONLY. IF CERTAIN DIMENSIONS ARE CRITICAL PLEASE VERIFY THOSE DIMENSIONS WITH YOUR SALESPERSON



DIMENSION TOLERANCE ± 1/4"

APPROVAL

I, THE UNDERSIGNED, AGREE THAT THE PRODUCT AS REPRESENTED SATISFIES DESIGN AND DIMENSION REQUIREMENTS. I ALSO ACKNOWLEDGE MY DUTY TO CONFIRM PRODUCT AND INSTALLATION COMPLIANCE WITH ALL APPLICABLE FEDERAL, STATE AND LOCAL REGULATIONS AND STANDARDS.
UNITS REQUIRING APPROVAL DRAWINGS OR MODIFIED ARE NON-RETURNABLE

[] As drawn [] As marked

Signed: _____ Date: _____

Printed Name: _____

LEAD TIME WILL START UPON RECEIPT OF SIGNED APPROVAL DRAWING

STANDARD FEATURES

- MODEL NUMBER IS POS-3672-EH
- MAX UNIFORM CAPACITY IS 500 LBS.
- 115 VAC SINGLE PHASE POWER
- OVERALL WIDTH IS 73 1/4"
- USABLE WIDTH IS 67"
- USABLE LENGTH IS 36 1/4"
- MIN PLATFORM HEIGHT IS 3"
- MAX PLATFORM HEIGHT IS 19"
- MAX OVERALL HEIGHT IS 58 5/8"
- STEEL TREAD PLATE PLATFORM SURFACE
- DURABLE LIQUID PAINT BLUE FINISH

SPECIAL FEATURES

NONE

DISTRIBUTOR'S NAME:		P.O.#
VESTIL MANUFACTURING		X
DRAWN BY:	DATE:	W.O.#
C.CLEMENS	12/4/17	X
REFERENCE:	SCALE:	SALES:
X	1:32	X
QUOTED LEAD TIME:	QUOTE #	FILE NAME:
X	X	14-007-314