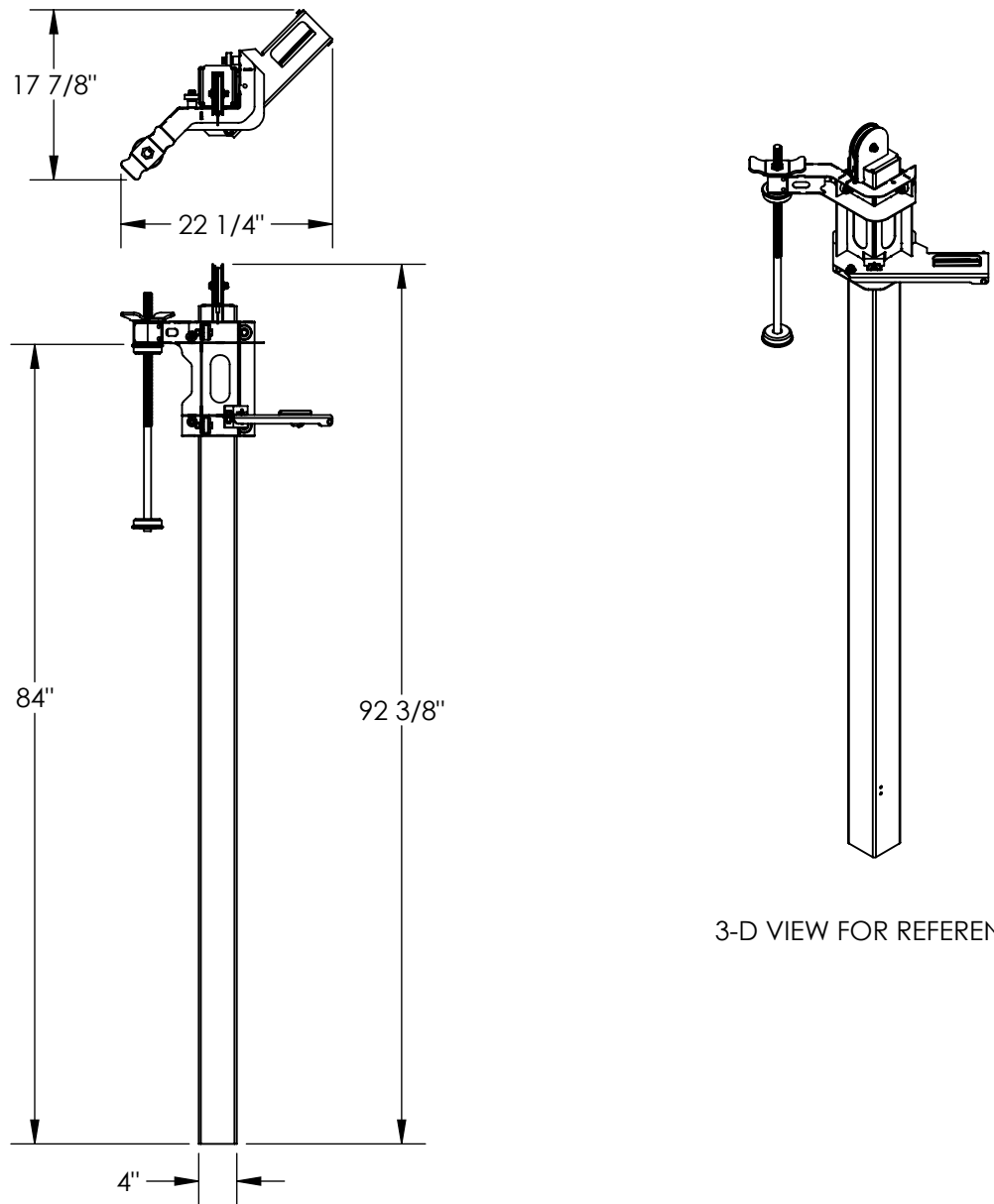


MANUAL MAST OPTION (FIELD INSTALLED) - POW-CAR-M-RF

APPROX WEIGHT: 96.05 lbs.
DOES NOT INCLUDE WEIGHT OF POWER OR PACKAGING!!!

ANY ADDITIONS, DELETIONS, OR OMISSIONS MUST BE CORRECTED ON THIS DRAWING AS THIS DRAWING WILL BE CONSIDERED ALL INCLUSIVE



3-D VIEW FOR REFERENCE

ALL GRAPHICS PROVIDED ARE FOR REFERENCE ONLY. IF CERTAIN DIMENSIONS ARE CRITICAL PLEASE VERIFY THOSE DIMENSIONS WITH YOUR SALESPERSON

STANDARD FEATURES

- MODEL NUMBER IS POW-CAR-M-RF
- OVERALL WIDTH IS 22 1/4"
- OVERALL HEIGHT IS 92 3/8"
- WRAP HEIGHT IS 84"
- FRAME IS TOUGH BAKED IN POWDER COAT BLUE FINISH
- CARRIAGE IS TOUGH BAKED IN POWDER COAT YELLOW FINISH

DIMENSION TOLERANCE ± 1/4"

SPECIAL FEATURES

NONE

APPROVAL	I, THE UNDERSIGNED, AGREE THAT THE PRODUCT AS REPRESENTED SATISFIES DESIGN AND DIMENSION REQUIREMENTS. I ALSO ACKNOWLEDGE MY DUTY TO CONFIRM PRODUCT AND INSTALLATION COMPLIANCE WITH ALL APPLICABLE FEDERAL, STATE AND LOCAL REGULATIONS AND STANDARDS.	
	ANY MODIFIED UNITS ARE NON-RETURNABLE	
	[] As drawn [] As marked	
	Signed: _____ Date: _____	
Printed Name: _____		
LEAD TIME WILL START UPON RECEIPT OF SIGNED APPROVAL DRAWING		

FOR INTERNAL USE ONLY PROJECT SIGN OFF		DISTRIBUTOR'S NAME:		P.O.#
		VESTIL MANUFACTURING		X
SALES		DATE:	3/13/2017	W.O.#
ENG.		DRAWN BY:	SJA	X
FAB.		REFERENCE:	X	SALES:
POWER		QUOTED LEAD TIME:	X	X
		SCALE:	1:20	FILE NAME:
		QUOTE #	X	20-007-191-002