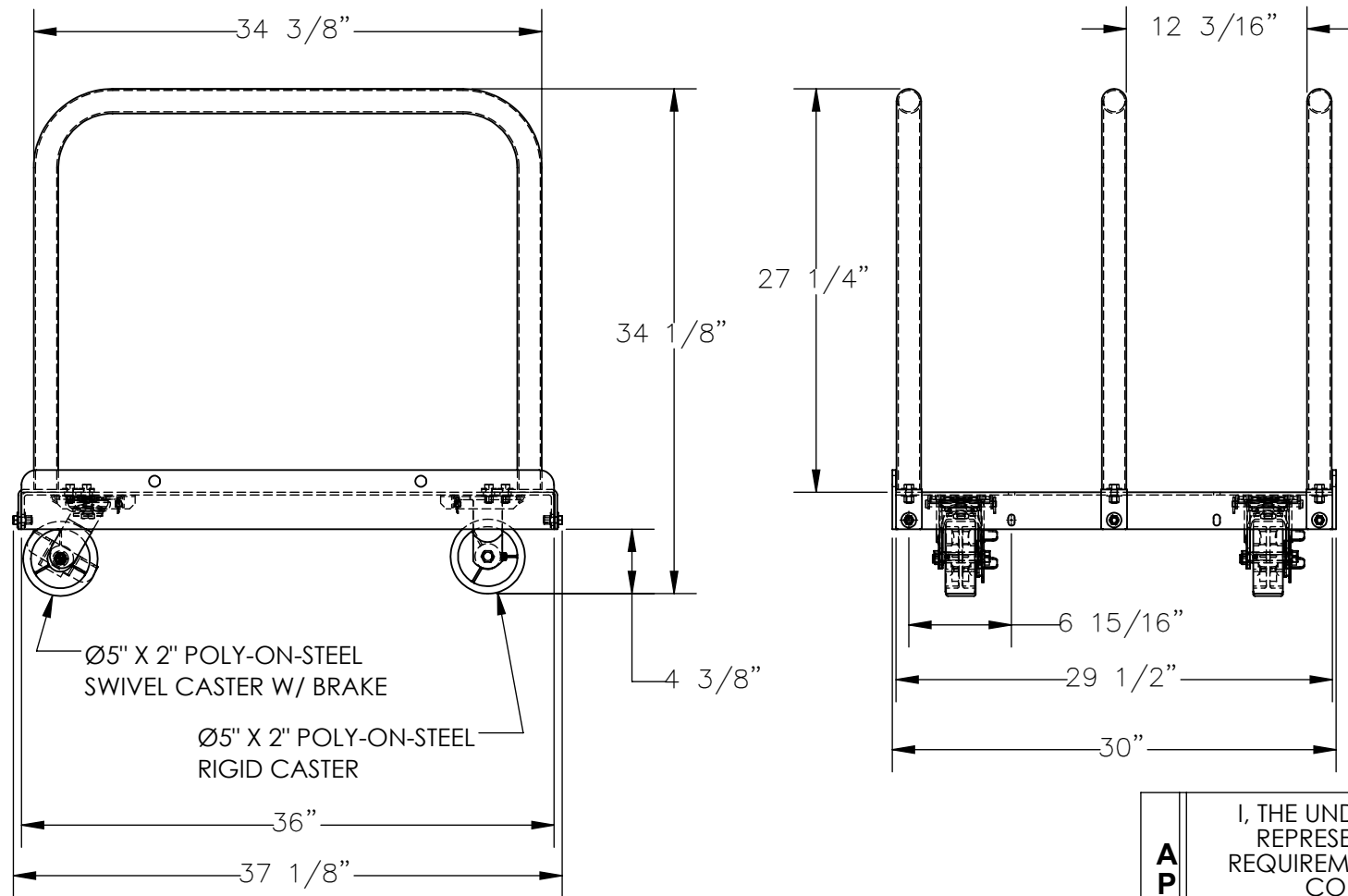


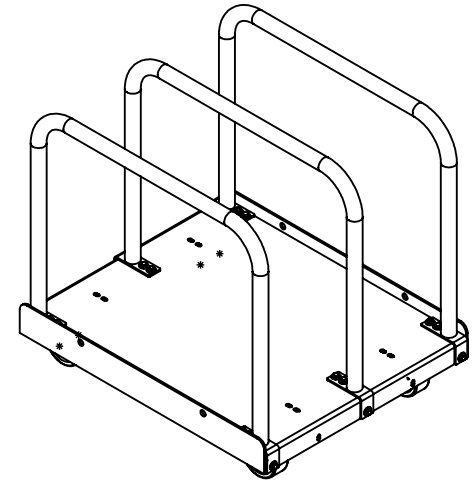
HEAVY DUTY PANEL CART, 30" WIDE, ADJUSTABLE BAYS - PRCT-HD-30-AB

*** ANY ADDITIONS, DELETIONS, OR OMISSIONS MUST BE CORRECTED ON THIS DRAWING AS THIS DRAWING WILL BE CONSIDERED ALL INCLUSIVE ***

ALL GRAPHICS PROVIDED ARE FOR REFERENCE ONLY. IF CERTAIN DIMENSIONS ARE CRITICAL PLEASE VERIFY THOSE DIMENSIONS WITH YOUR SALESPERSON



APPROX WEIGHT: 166.23 lbs.
DOES NOT INCLUDE WEIGHT OF POWER OR PACKAGING!!!



DIMENSION TOLERANCE ± 1/4"

STANDARD FEATURES

- MODEL NUMBER IS: PRCT-HD-30-AB
- OVERALL WIDTH IS: 30"
- OVERALL LENGTH IS: 37 1/8"
- OVERALL HEIGHT IS: 34 1/8"
- USABLE DECK IS: 29 1/2" WIDTH x 36" LENGTH
- CAPACITY IS: 4,000 LBS EVENLY DISTRIBUTED
- (3) SUPPORT RAILS INCLUDED W/
 - (5) MOUNT LOCATIONS POSITIONED ON 6 15/16" CENTERS
- (2) Ø 5" x 2" POLY-ON-STEEL SWIVEL CASTERS W/ BRAKE
- (2) Ø 5" x 2" POLY-ON-STEEL RIGID CASTERS
- DECK IS: TOUGH BAKED IN POWDER COATED BLUE FINISH
- SUPPORT RAILS ARE: TOUGH BAKED IN POWDER COATED YELLOW FINISH

SPECIAL FEATURES

NONE

APPROVAL

I, THE UNDERSIGNED, AGREE THAT THE PRODUCT AS REPRESENTED SATISFIES DESIGN AND DIMENSION REQUIREMENTS. I ALSO ACKNOWLEDGE MY DUTY TO CONFIRM PRODUCT AND INSTALLATION COMPLIANCE WITH ALL APPLICABLE FEDERAL, STATE AND LOCAL REGULATIONS AND STANDARDS.
UNITS REQUIRING APPROVAL DRAWINGS OR MODIFIED ARE NON-RETURNABLE

[] As drawn [] As marked

Signed: _____ Date: _____

Printed Name: _____

LEAD TIME WILL START UPON RECEIPT OF SIGNED APPROVAL DRAWING

DISTRIBUTOR'S NAME:		P.O.#
VESTIL MANUFACTURING		X
DRAWN BY: JGP	DATE: 2/17/2021	W.O.#
REFERENCE: X	SCALE: 1:12	X
QUOTED LEAD TIME: X	QUOTE #	SALES: X
	X	FILE NAME:
		16-007-525