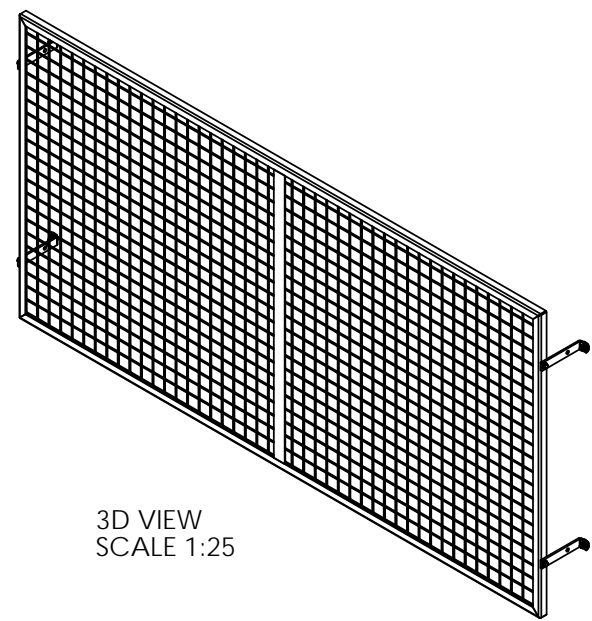
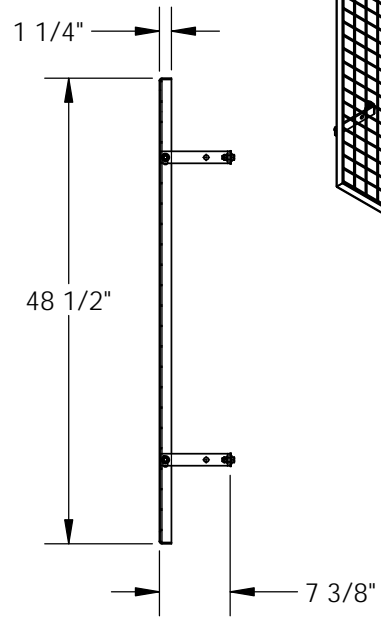
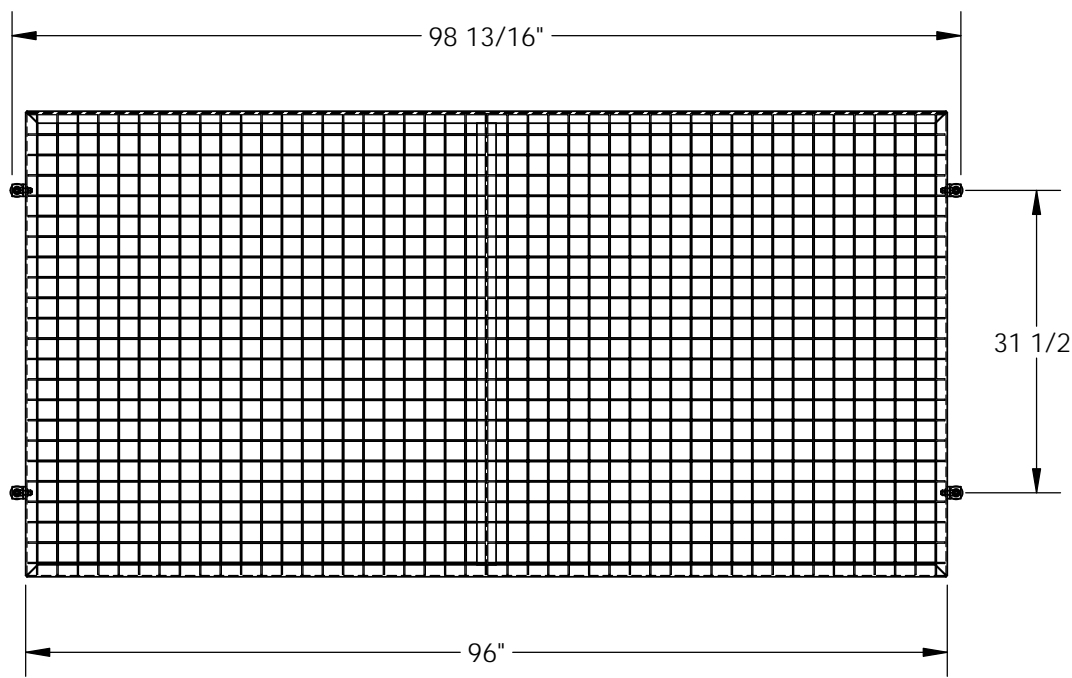


STEEL PALLET RACK GUARD - PRSN-96-4

APPROX WEIGHT: 50.31 lbs.
DOES NOT INCLUDE WEIGHT OF POWER OR PACKAGING!!!

*** ANY ADDITIONS, DELETIONS, OR OMISSIONS MUST BE CORRECTED ON THIS DRAWING AS THIS DRAWING WILL BE CONSIDERED ALL INCLUSIVE ***

ALL GRAPHICS PROVIDED ARE FOR REFERENCE ONLY. IF CERTAIN DIMENSIONS ARE CRITICAL PLEASE VERIFY THOSE DIMENSIONS WITH YOUR SALESPERSON



STANDARD FEATURES

- MODEL NUMBER IS PRSN-96-4
- OVERALL WIDTH IS 98 13/16"
- PANEL WIDTH IS 96"
- OVERALL HEIGHT IS 48 1/2"
- OVERALL DEPTH IS 7 3/8"
- 7 GA. WIRE MESH GUARDING
- ATTACHES TO VERTICAL PALLET RACKING
- YELLOW POWDERCOAT FINISH

PALLET RACK GUARD INCLUDES:

- (4) MOUNTING BRACKETS
- (8) Ø3/8-16 x 1" BOLTS
- (16) Ø3/8 FLAT WASHERS
- (4) Ø1/2 FLAT WASHERS
- (8) Ø3/8-16 HEX NUTS
- **ADDITIONAL MOUNTING HARDWARE MAY BE NEEDED DEPENDING ON STYLE OF RACK

SPECIAL FEATURES

NONE

DIMENSION TOLERANCE ± 1/4"

APPROVAL	I, THE UNDERSIGNED, AGREE THAT THE PRODUCT AS REPRESENTED SATISFIES DESIGN AND DIMENSION REQUIREMENTS. I ALSO ACKNOWLEDGE MY DUTY TO CONFIRM PRODUCT AND INSTALLATION COMPLIANCE WITH ALL APPLICABLE FEDERAL, STATE AND LOCAL REGULATIONS AND STANDARDS.	
	ALL SPECIAL UNITS ARE NON-RETURNABLE [] As drawn [] As marked	
Signed: _____		Date: _____
LEAD TIME WILL START UPON RECEIPT OF SIGNED APPROVAL DRAWING		

FOR INTERNAL USE ONLY PROJECT SIGN OFF	
SALES	
ENG.	
FAB.	
POWER	

DISTRIBUTOR'S NAME:		P.O.#
VESTIL MANUFACTURING		X
DRAWN BY:	DATE:	W.O.#
TJM	03/13/15	X
REFERENCE:	SCALE:	FILE NAME:
X	1:20	
QUOTED LEAD TIME:	QUOTE #	23-007-552
X	X	